

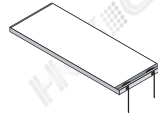
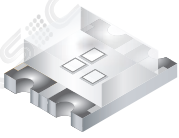


<http://www.semi-conductor.com.hk>

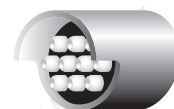
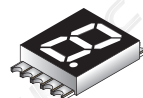
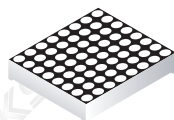
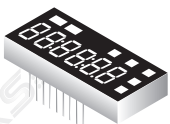
HONG KONG SEMI-CONDUCTOR LIMITED  
HONG KONG SEMI-CONDUCTOR LIMITED

Ultra-Bright RGB Colored LEDs.

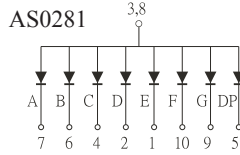
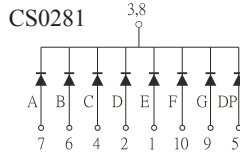
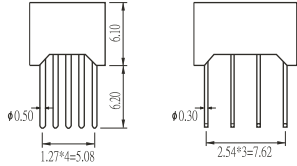
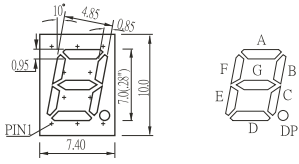




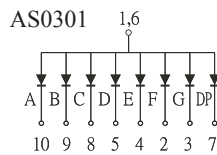
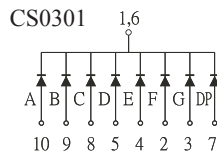
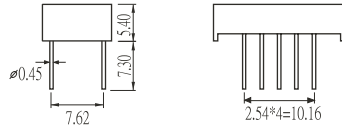
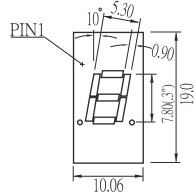
<b>1. Digital Display</b>	
Single Digit Type .....	1
Dual Digit Type .....	21
Three Digit Type .....	32
Four Digit Type .....	40
Five Digit Type or More .....	47
<b>2. SMD Display</b>	
Single Digit Type .....	49
Dual Digit Type .....	50
Three Digit Type .....	51
<b>3. Bar Graph</b> .....	52
<b>4. LED Director Indicator Displays</b> .....	59
<b>5. LCD Backlight</b> .....	61
<b>6. Dot Matrix Display</b> .....	63
<b>7. Cluster</b> .....	89
<b>8. LED Lamp</b> .....	99
<b>9. SMD Lamp</b> .....	124
<b>10. Typical Electrical / Optical Churacteristic Curves</b> .....	131
<b>11. Part Numbering System</b> .....	145



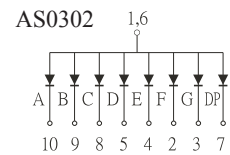
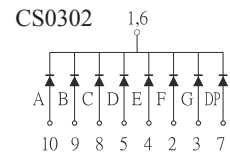
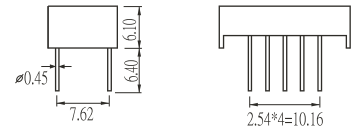
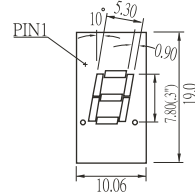
**A/C S0281**



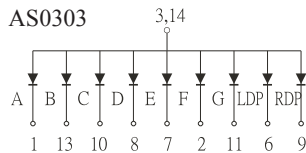
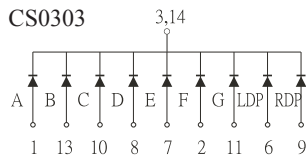
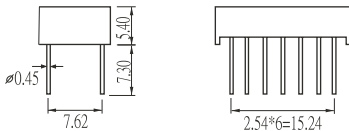
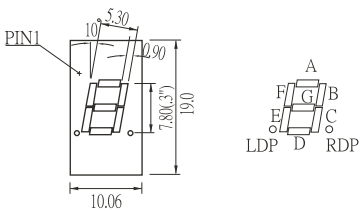
**A/C S0301**



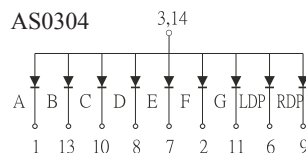
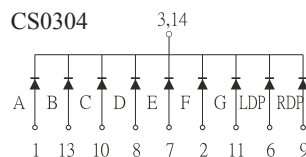
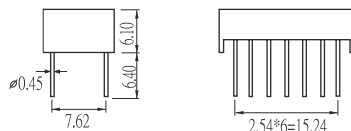
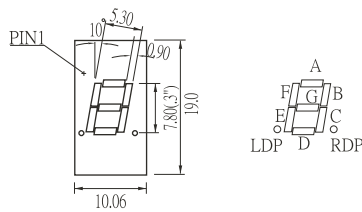
**A/C S0302**



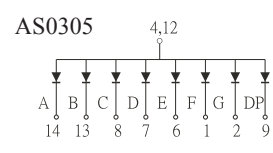
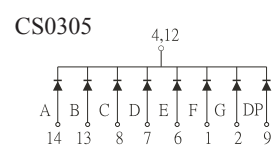
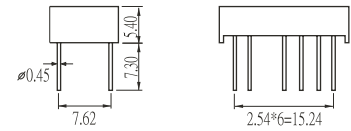
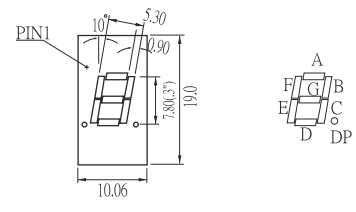
**A/C S0303**



**A/C S0304**



**A/C S0305**



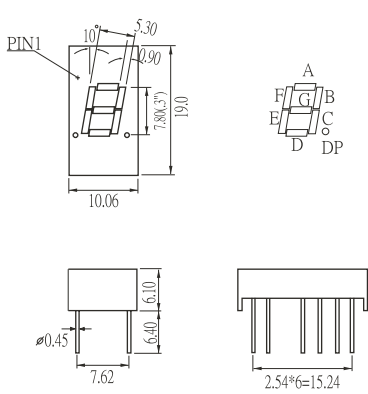
4,5,12 NO PIN

4,5,12 NO PIN

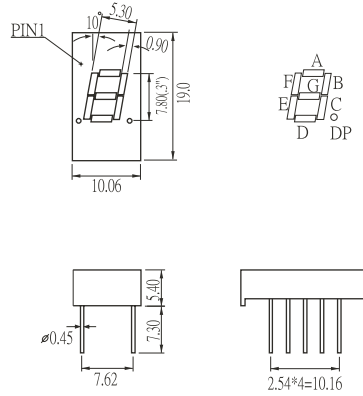
3,5,10,11 NO PIN

Notes: 1. All dimensions are in millimeter (inches), tolerance is 0.25 unless otherwise noted.  
2. Specifications are subject to change without notice.

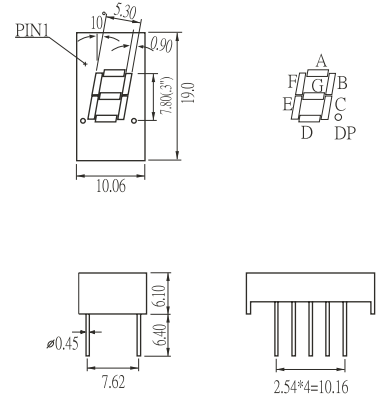
**A/C S0306**



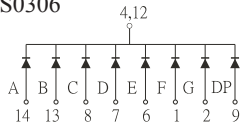
**A/C S0307**



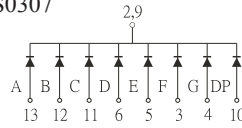
**A/C S0308**



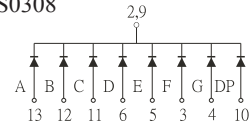
**CS0306**



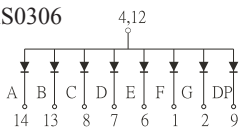
**CS0307**



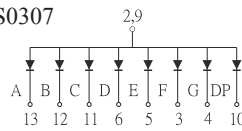
**CS0308**



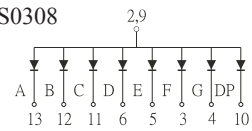
**AS0306**



**AS0307**



**AS0308**

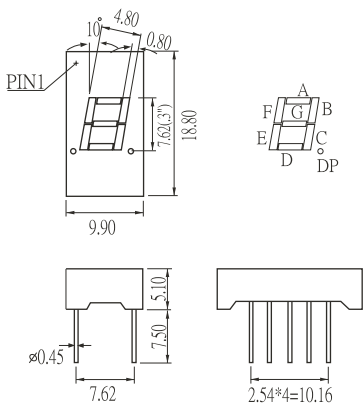


3,5,10,11 NO PIN

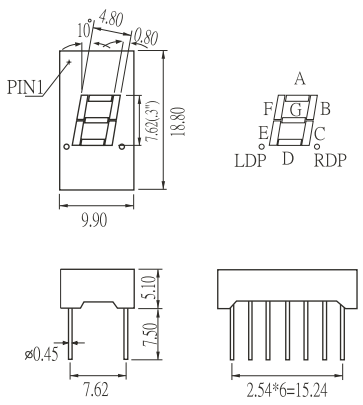
1,7,8,14 NO PIN

1,7,8,14 NO PIN

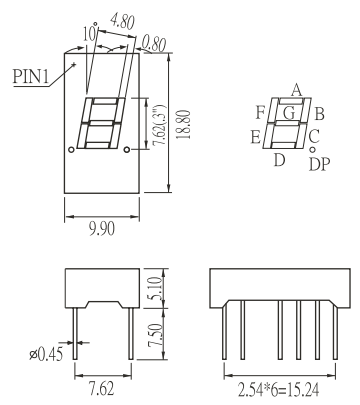
**A/C S0309**



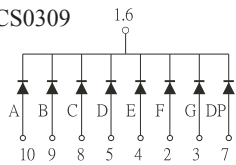
**A/C S03010**



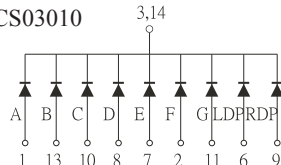
**A/C S03011**



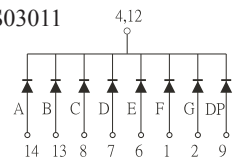
**CS0309**



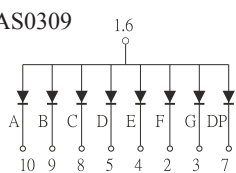
**CS03010**



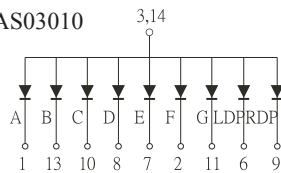
**CS03011**



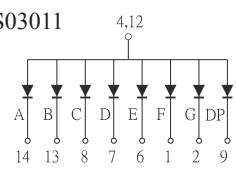
**AS0309**



**AS03010**



**AS03011**

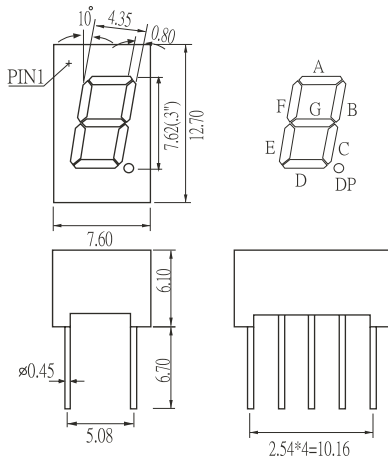


4,5,12 NO PIN

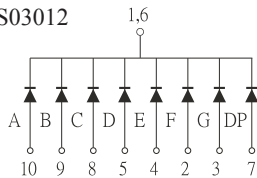
3,5,10 & 11 NO PIN

Notes: 1. All dimensions are in millimeter (inches) , tolerance is 0.25 unless otherwise noted.  
2.Specifications are subject to change without notice.

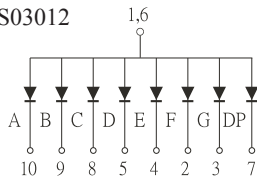
**A/C S03012**



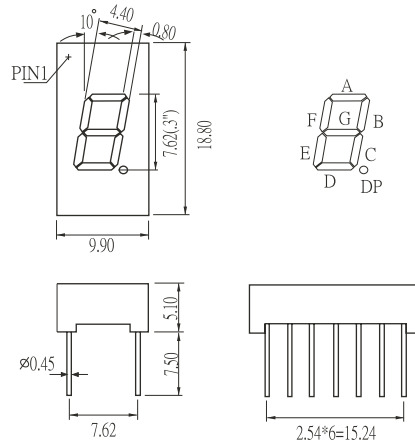
**CS03012**



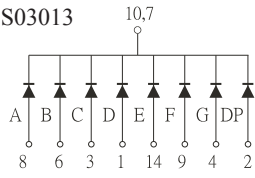
**AS03012**



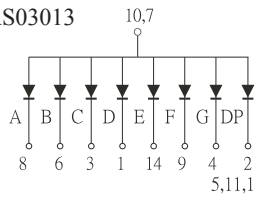
**A/C S03013**



**CS03013**

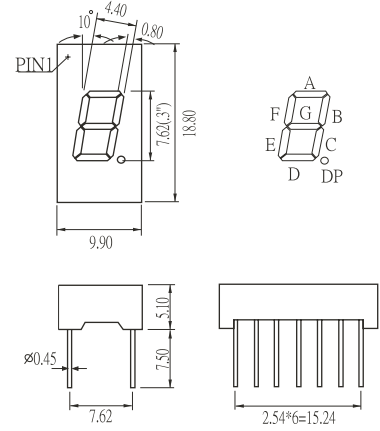


**AS03013**

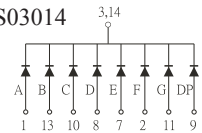


5,11,12,13 NO PIN

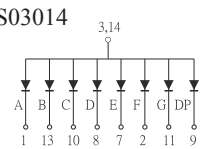
**A/C S03014**



**CS03014**

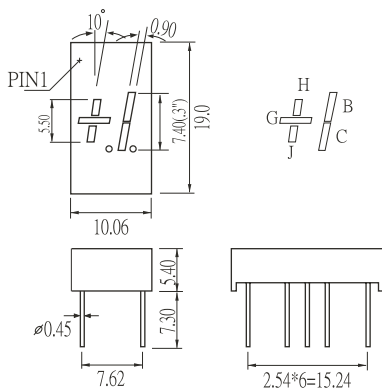


**AS03014**

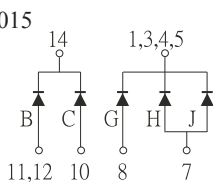


4,5,6,12 NO PIN

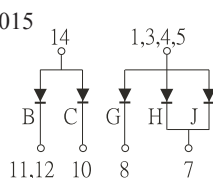
**A/C S03015**



**CS03015**

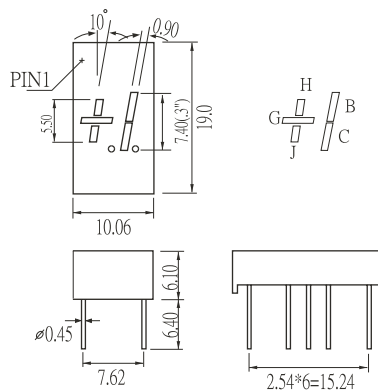


**AS03015**

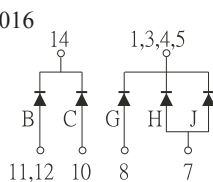


2,6,9,13 NO PIN

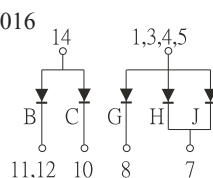
**A/C S03016**



**CS03016**

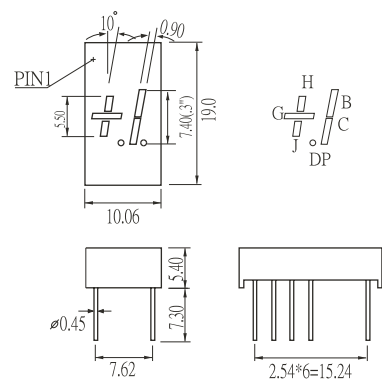


**AS03016**

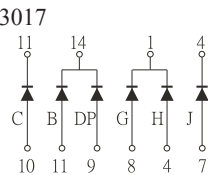


2,6,9,13 NO PIN

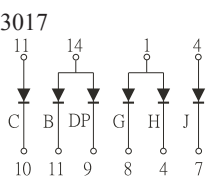
**A/C S03017**



**CS03017**



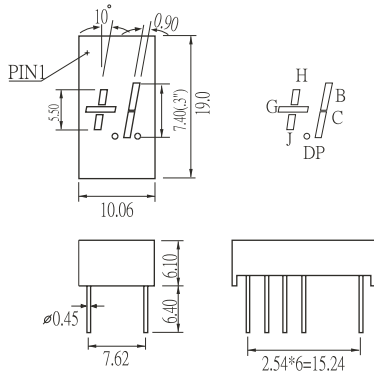
**AS03017**



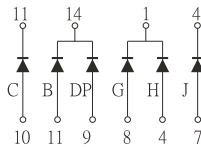
2,3,5,6,12,13 NO PIN

Notes: 1. All dimensions are in millimeter (inches), tolerance is 0.25 unless otherwise noted.  
2. Specifications are subject to change without notice.

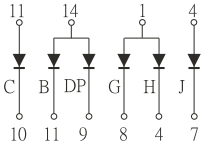
**A/C S03018**



**CS03018**

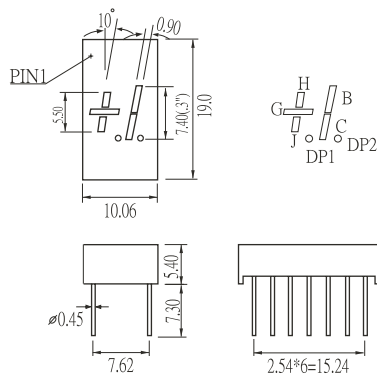


**AS03018**

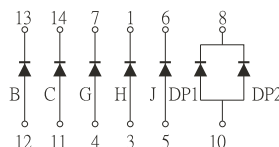


2,3,5,6,12,13 NO PIN

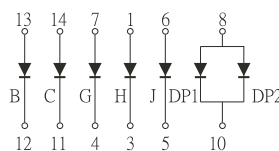
**A/C S03019**



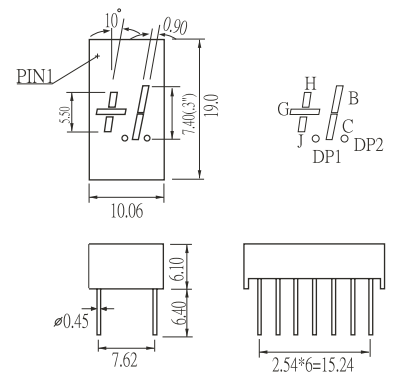
**CS03019**



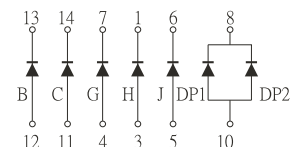
**AS03019**



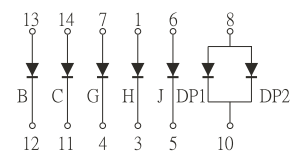
**A/C S03020**



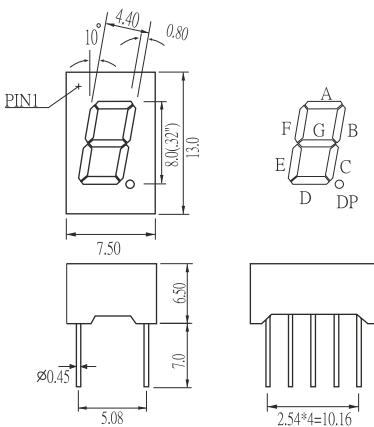
**CS03020**



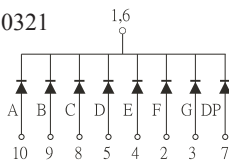
**AS03020**



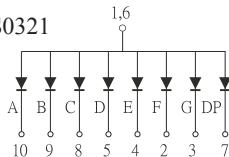
**A/C S0321**



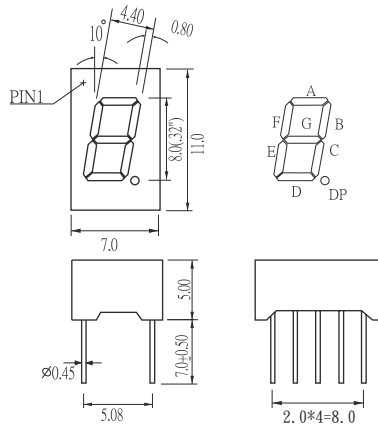
**CS0321**



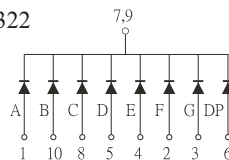
**AS0321**



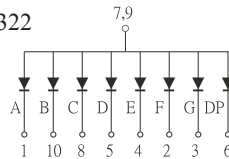
**A/C S0322**



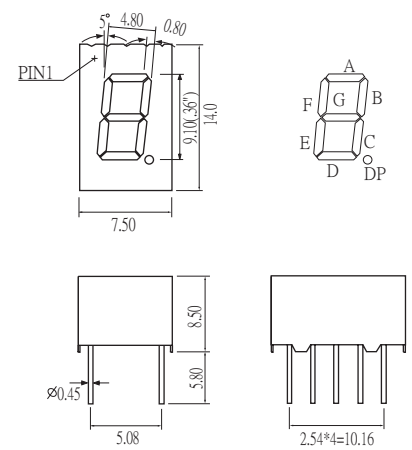
**CS0322**



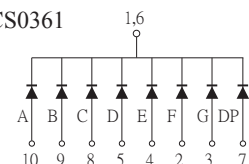
**AS0322**



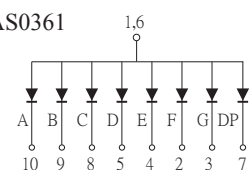
**A/C S0361**



**CS0361**

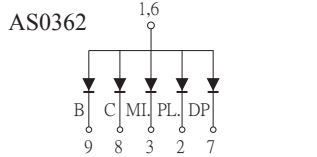
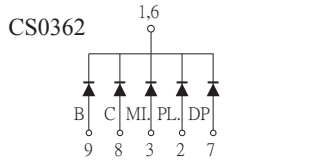
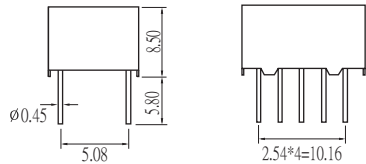
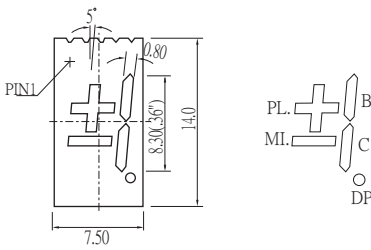


**AS0361**



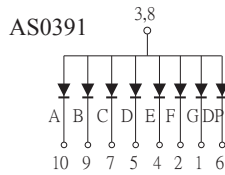
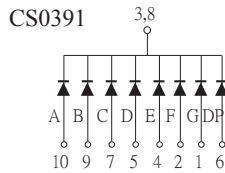
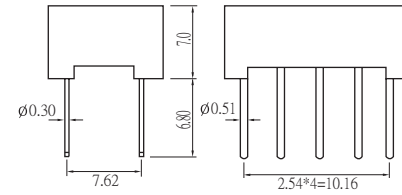
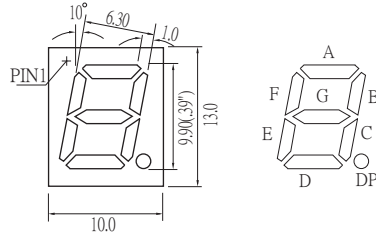
Notes: 1. All dimensions are in millimeter (inches), tolerance is 0.25 unless otherwise noted.  
2. Specifications are subject to change without notice.

**A/C S0362**

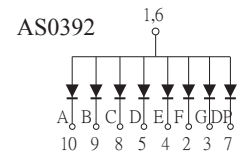
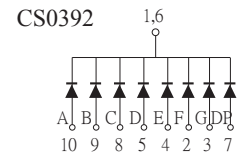
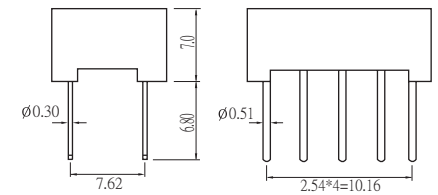
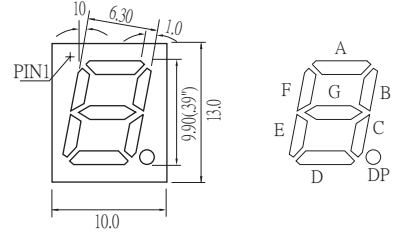


4,5,10 NO PIN

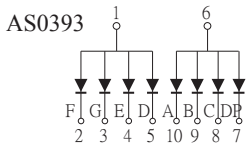
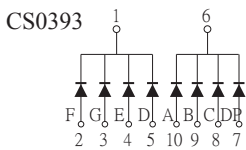
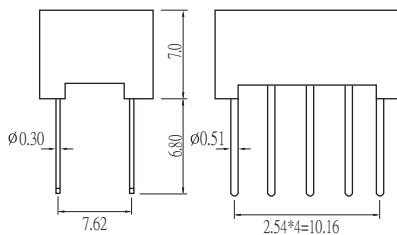
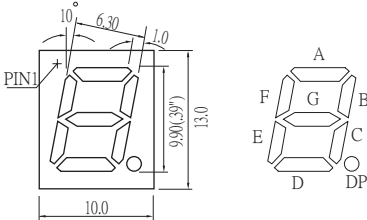
**A/C S0391**



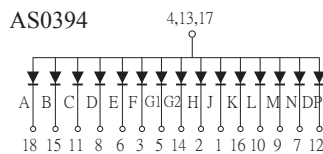
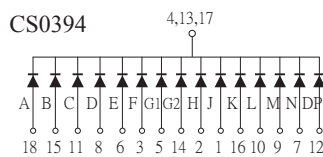
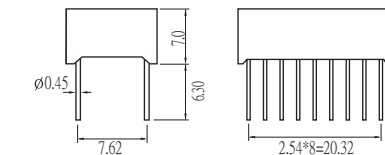
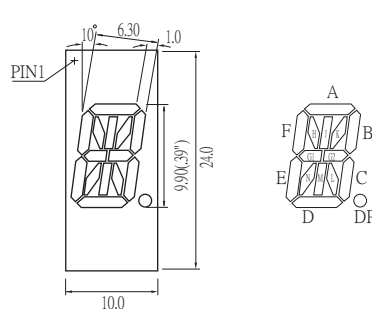
**A/C S0392**



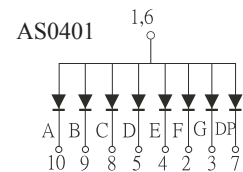
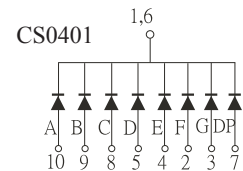
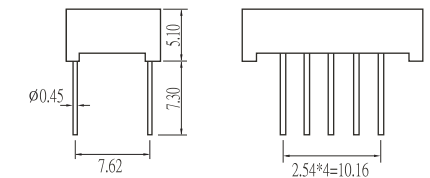
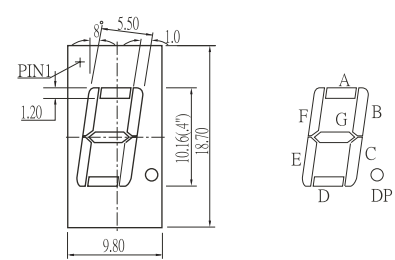
**A/C S0393**



**A/C S0394**

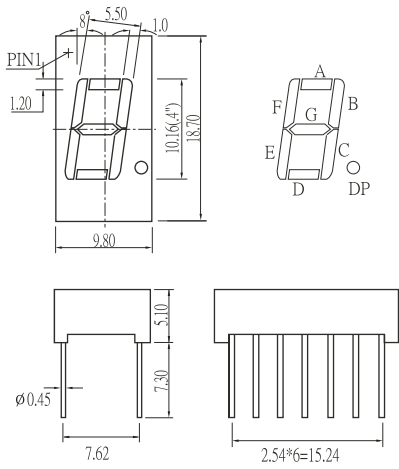


**A/C S0401**

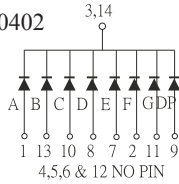


Notes: 1. All dimensions are in millimeter (inches), tolerance is 0.25 unless otherwise noted.  
2. Specifications are subject to change without notice.

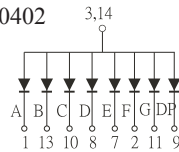
**A/C S0402**



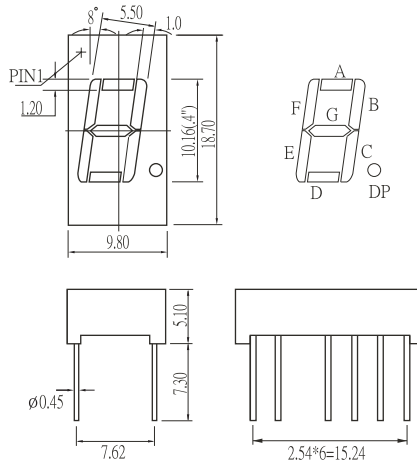
**CS0402**



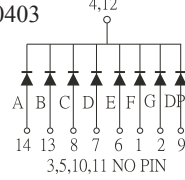
**AS0402**



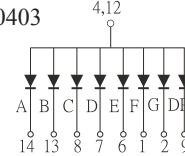
**A/C S0403**



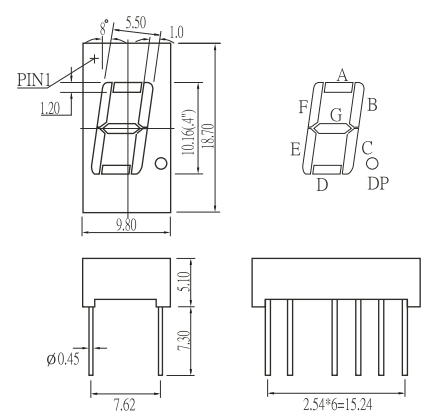
**CS0403**



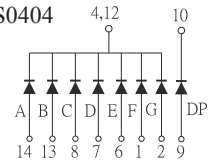
**AS0403**



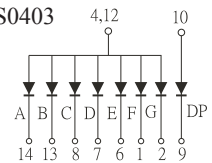
**A/C S0404**



**CS0404**

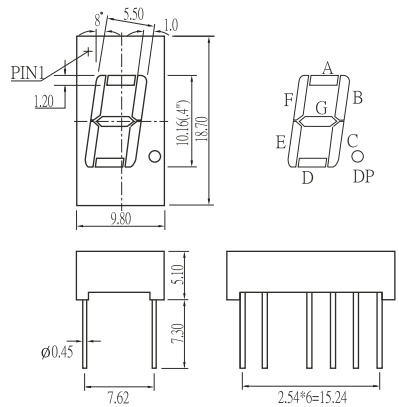


**AS0403**

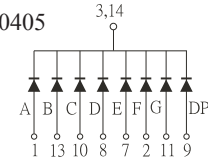


3,5,11 NO PIN

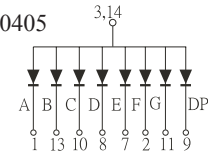
**A/C S0405**



**CS0405**

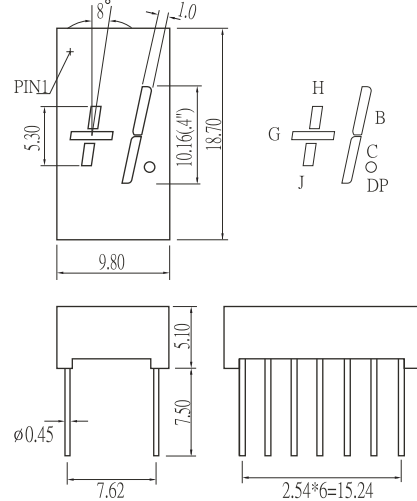


**AS0405**

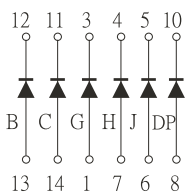


4,5,6,12 NO PIN

**A/C S0406**

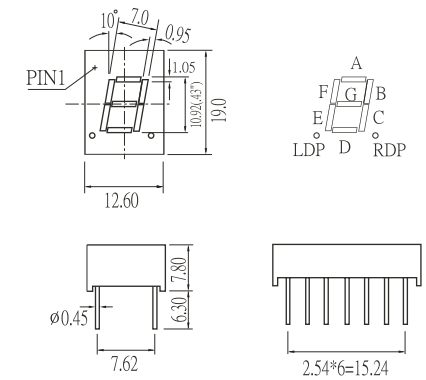


**CS0406**

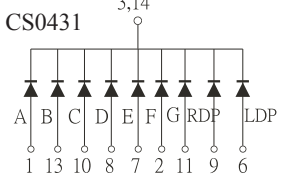


2 & 9 NO PIN

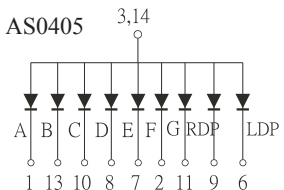
**A/C S0431**



**CS0431**



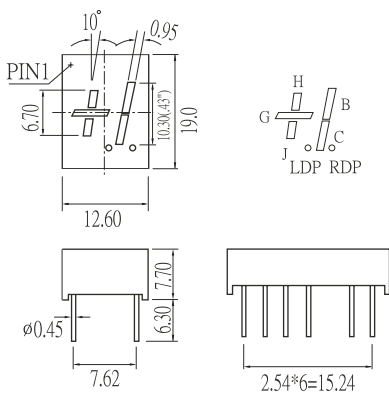
**AS0405**



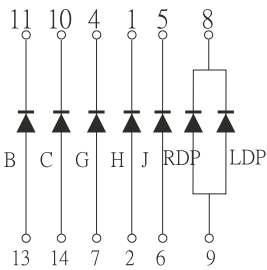
4,5 & 12 NO PIN

Notes: 1. All dimensions are in millimeter (inches), tolerance is 0.25 unless otherwise noted.  
2. Specifications are subject to change without notice.

**A/C S0432**

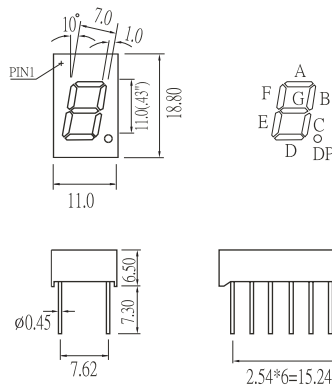


**CS0432**

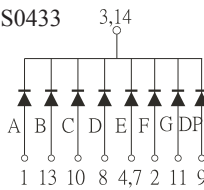


3,12 NO PIN

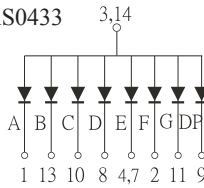
**A/C S0433**



**CS0433**

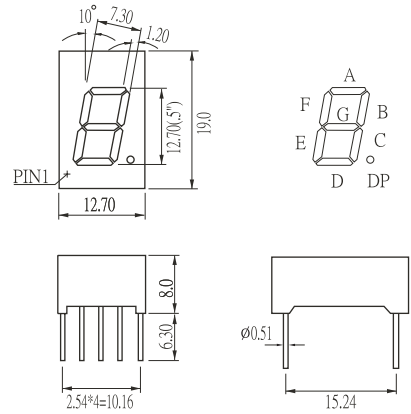


**AS0433**

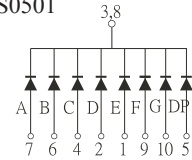


5,6,12 NO PIN

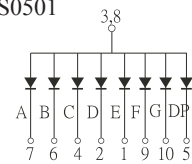
**A/C S0501**



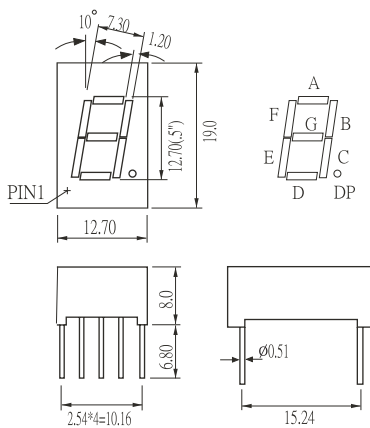
**CS0501**



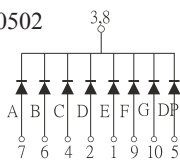
**AS0501**



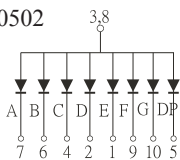
**A/C S0502**



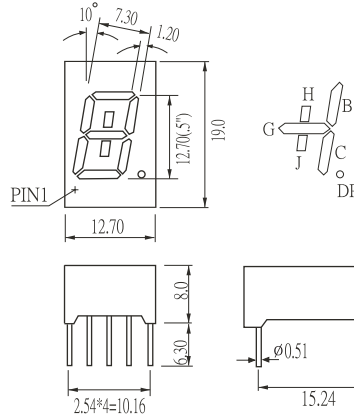
**CS0502**



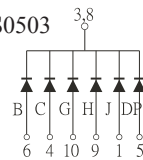
**AS0502**



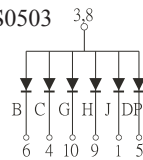
**A/C S0503**



**CS0503**

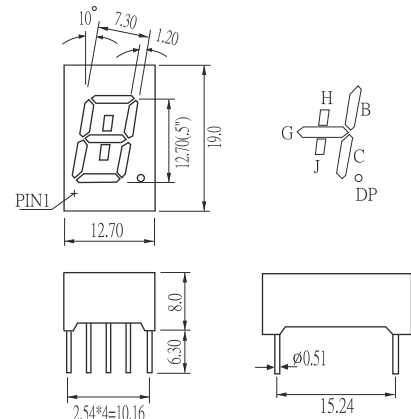


**AS0503**

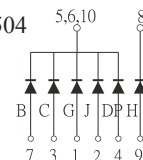


2,7 NO PIN

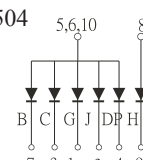
**A/C S0504**



**CS0504**

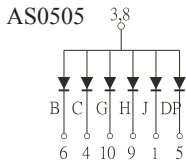
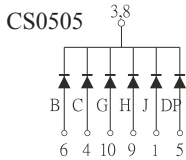
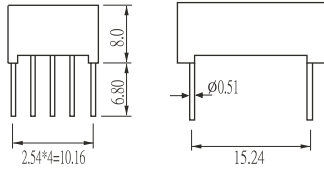
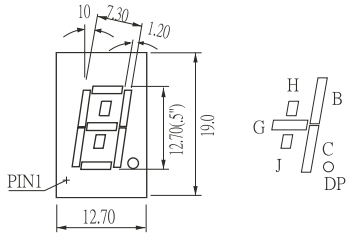


**AS0504**



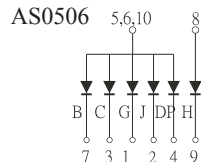
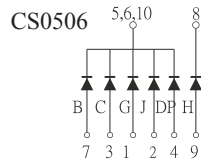
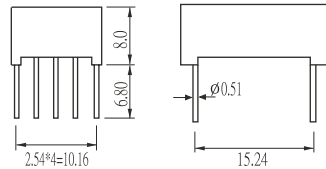
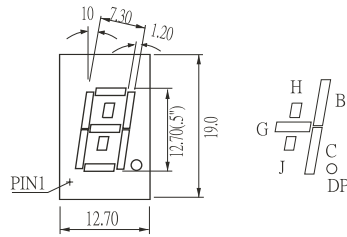
Notes: 1. All dimensions are in millimeter (inches), tolerance is 0.25 unless otherwise noted.  
2. Specifications are subject to change without notice.

**A/C S0505**

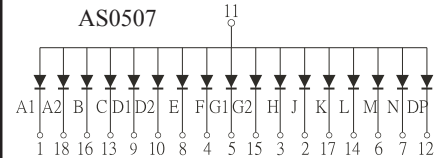
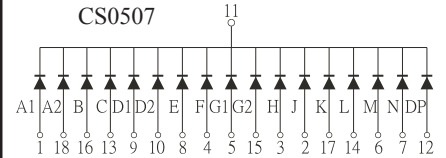
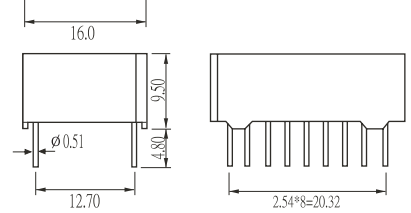
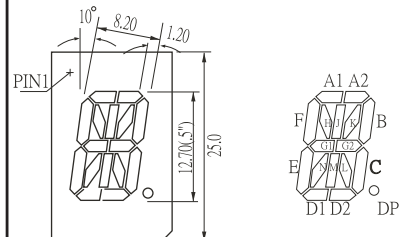


2, 7 NO PIN

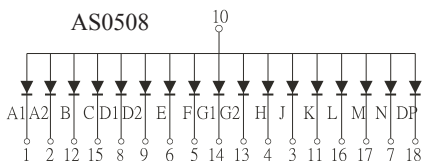
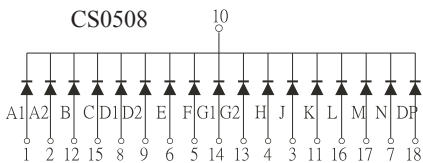
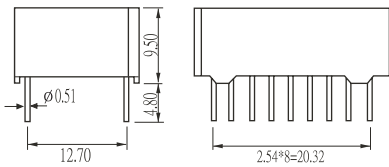
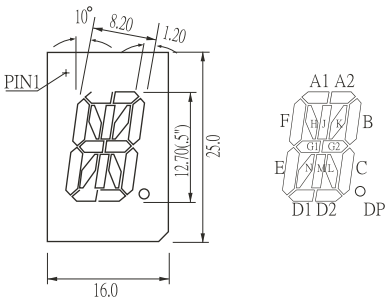
**A/C S0506**



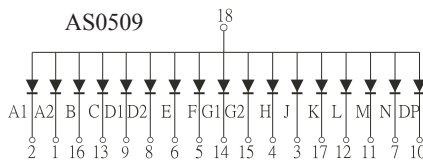
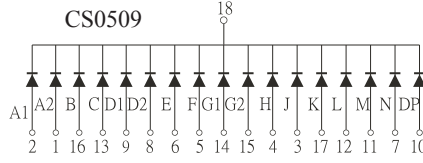
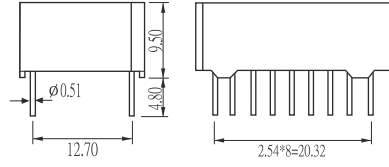
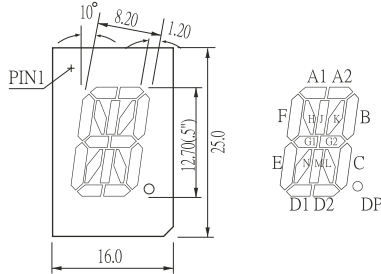
**A/C S0507**



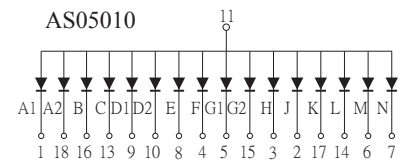
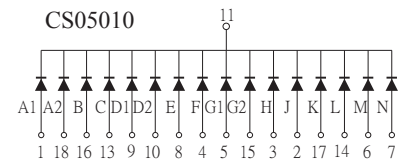
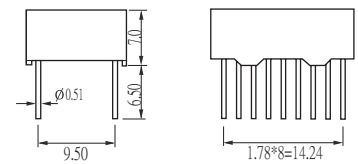
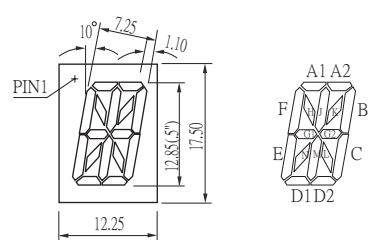
**A/C S0508**



**A/C S0509**



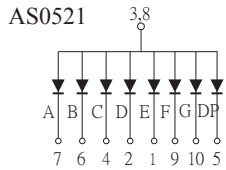
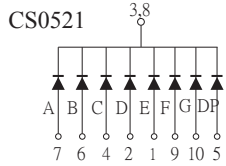
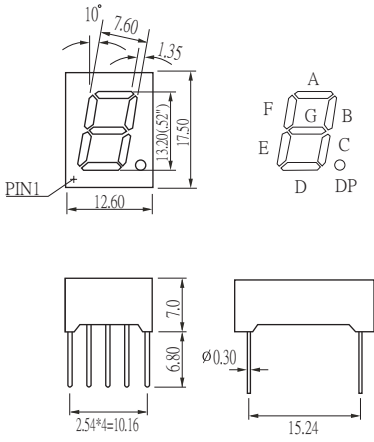
**A/C S05010**



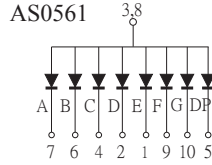
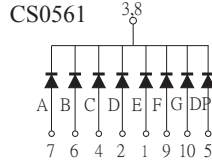
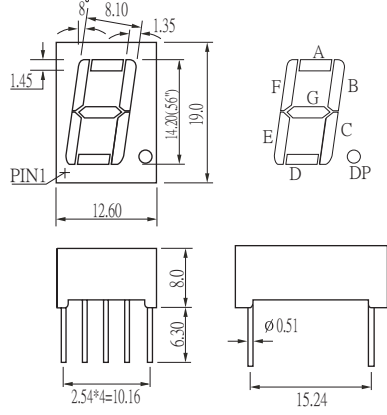
12 NO PIN

Notes: 1. All dimensions are in millimeter (inches), tolerance is 0.25 unless otherwise noted.  
2. Specifications are subject to change without notice.

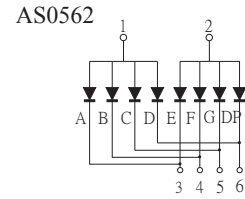
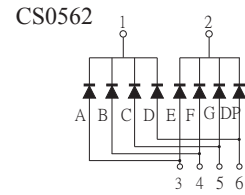
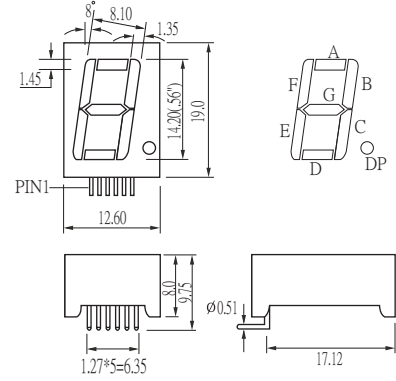
**A/C S0521**



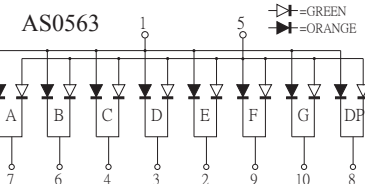
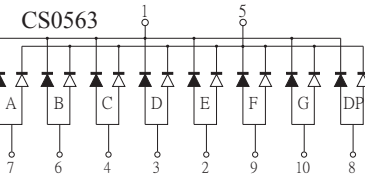
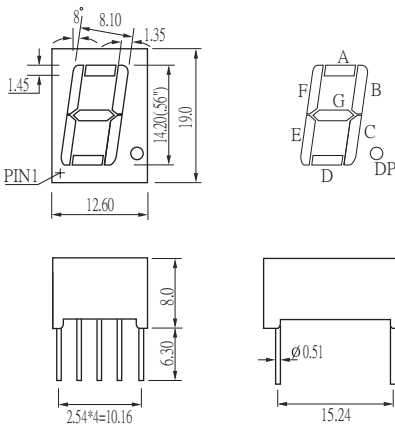
**A/C S0561**



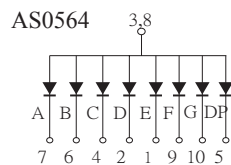
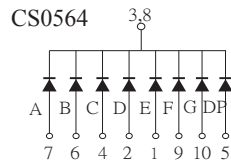
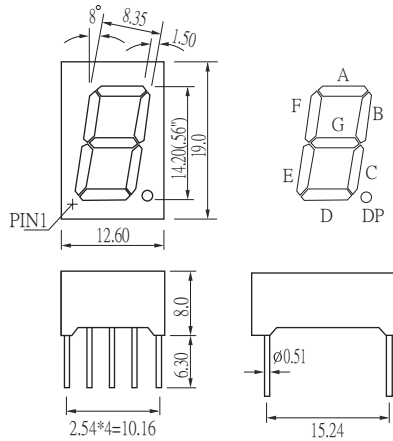
**A/C S0562**



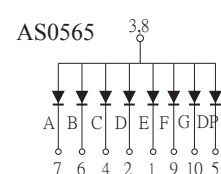
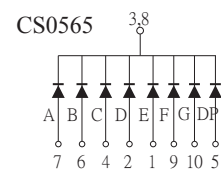
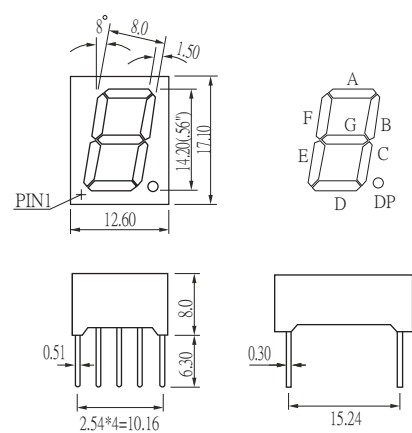
**A/C S0563**



**A/C S0564**

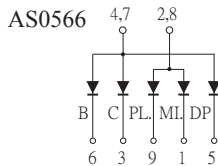
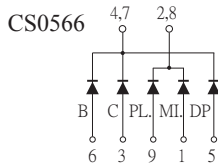
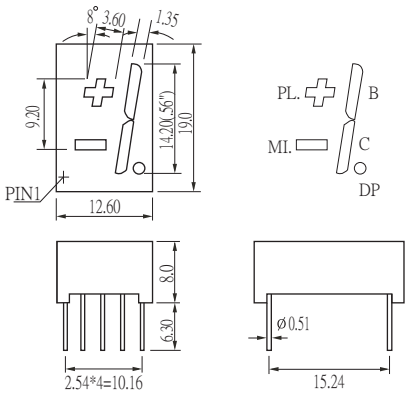


**A/C S0565**



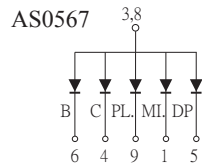
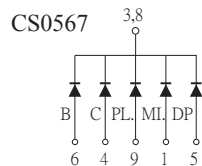
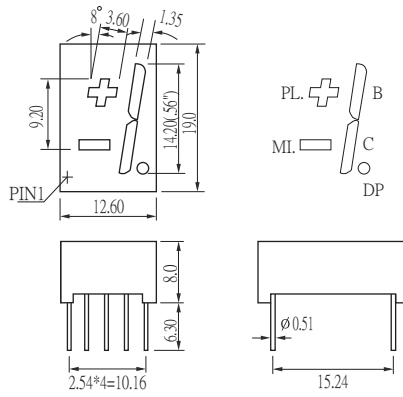
Notes: 1. All dimensions are in millimeter (inches), tolerance is 0.25 unless otherwise noted.  
2. Specifications are subject to change without notice.

**A/C S0566**



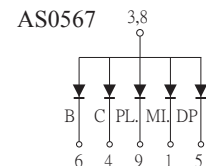
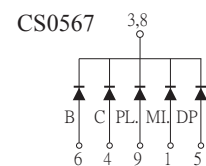
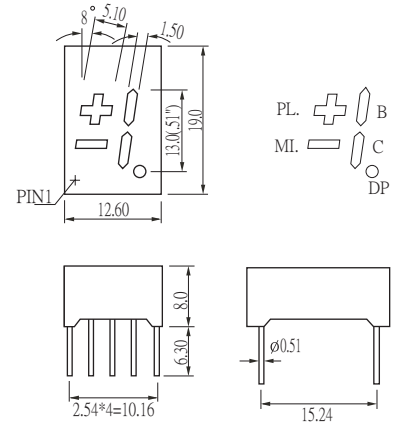
10 NO PIN

**A/C S0567**



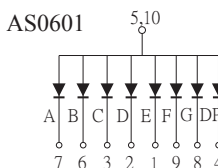
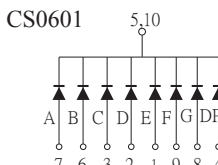
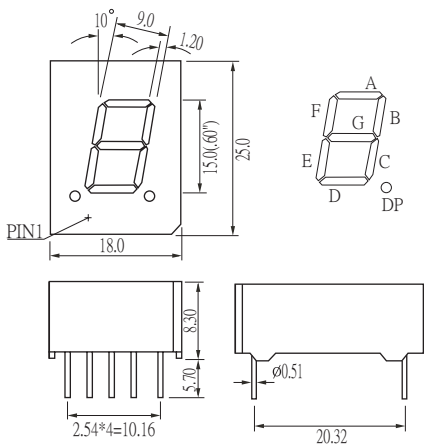
2,7,10 NO PIN

**A/C S0568**

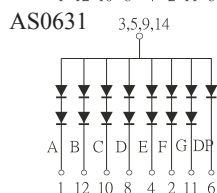
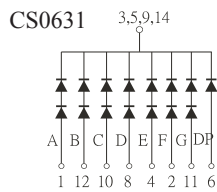
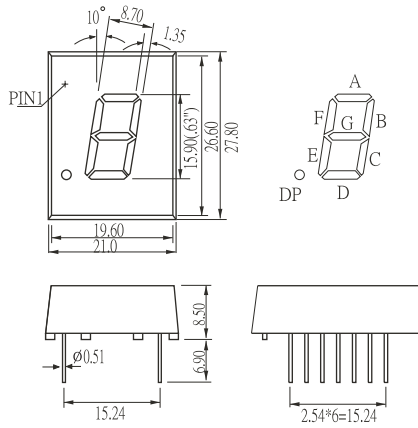


2,7,10 NO PIN

**A/C S0601**

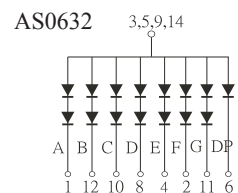
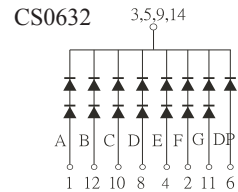
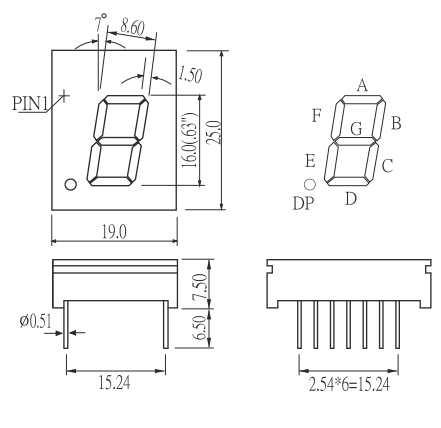


**A/C S0631**



7,13 NO PIN

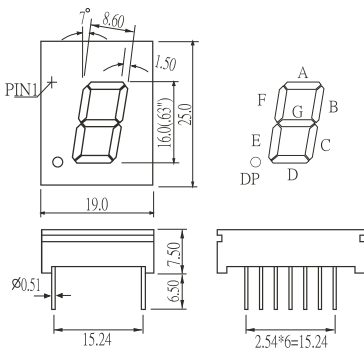
**A/C S0632**



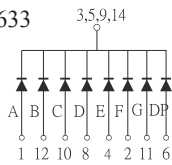
7,13 NO PIN

Notes: 1. All dimensions are in millimeter (inches), tolerance is 0.25 unless otherwise noted.  
2. Specifications are subject to change without notice.

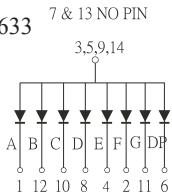
**A/C S0633**



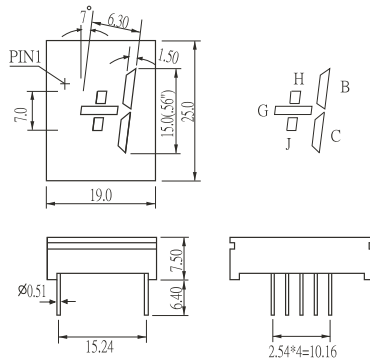
**CS0633**



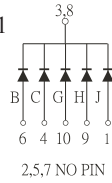
**AS0633**



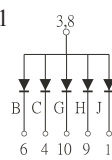
**A/C S0561**



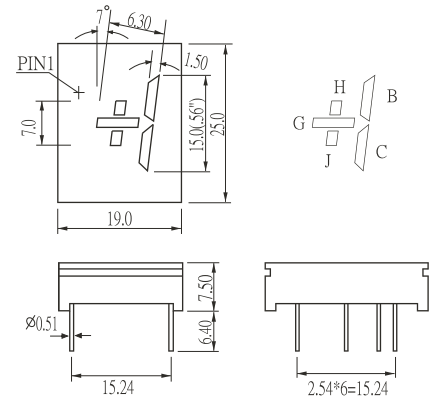
**CS0561**



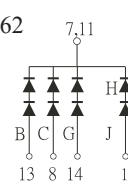
**AS0561**



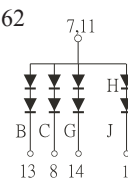
**A/C S0562**



**CS0562**

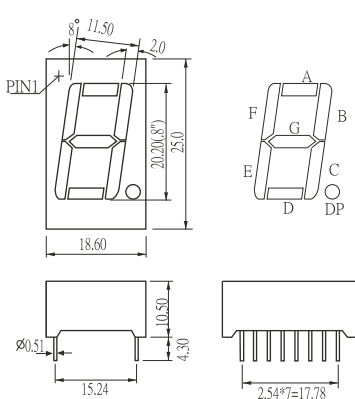


**AS0562**

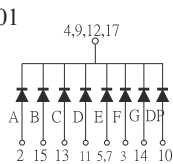


2,3,4,5,6,9,10,12 NO PIN

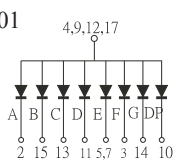
**A/C S0801**



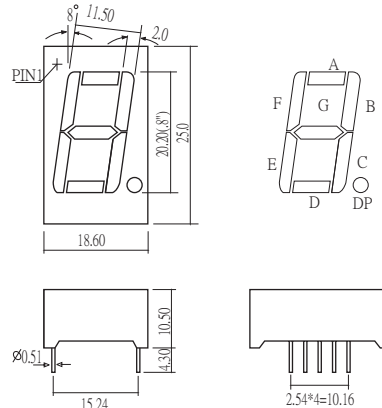
**CS0801**



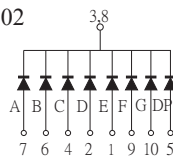
**AS0801**



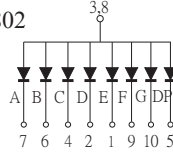
**A/C S0802**



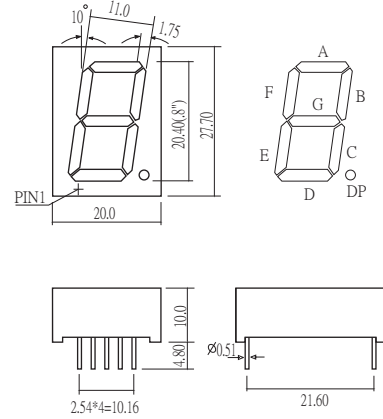
**CS0802**



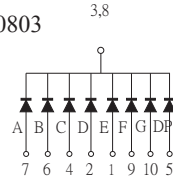
**AS0802**



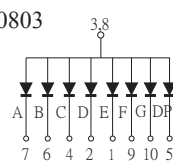
**A/C S0803**



**CS0803**

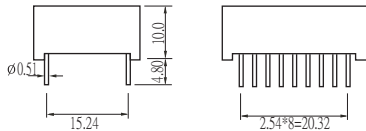
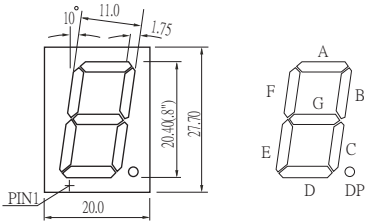


**AS0803**

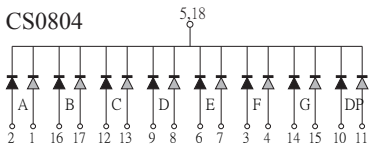


Notes: 1. All dimensions are in millimeter (inches), tolerance is 0.25 unless otherwise noted.  
2. Specifications are subject to change without notice.

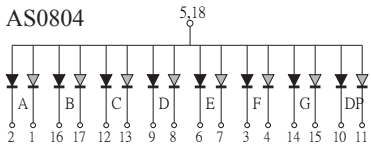
**A/C S0804**



**CS0804**

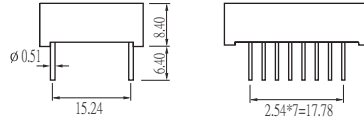
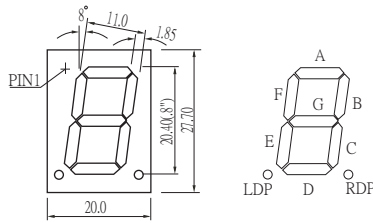


**AS0804**

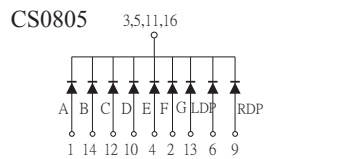


▲-GREEN    ▶-ORANGE

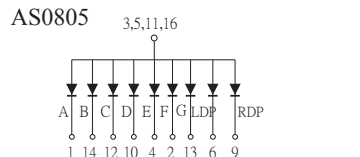
**A/C S0805**



**CS0805**

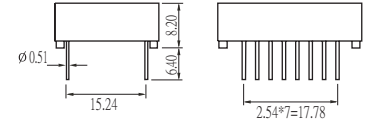
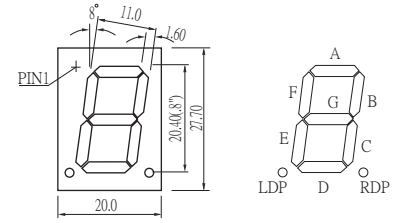


**AS0805**

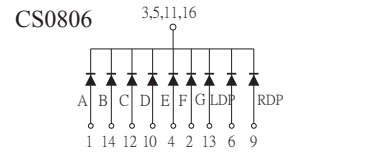


7,8 & 15 NO PIN

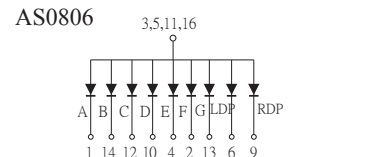
**A/C S0806**



**CS0806**

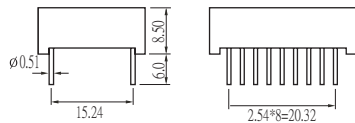
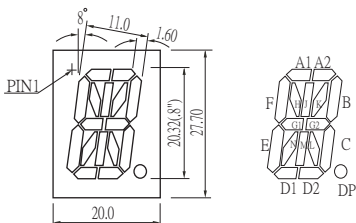


**AS0806**

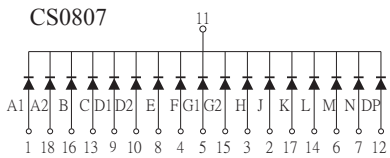


7,8 & 15 NO PIN

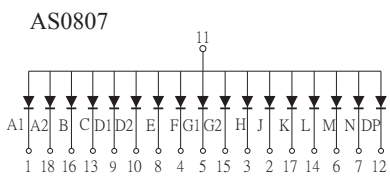
**A/C S0807**



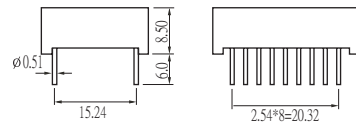
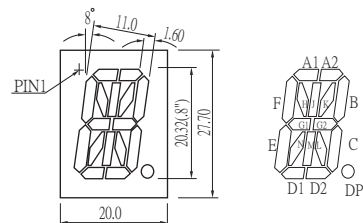
**CS0807**



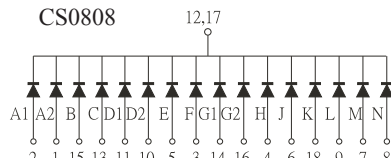
**AS0807**



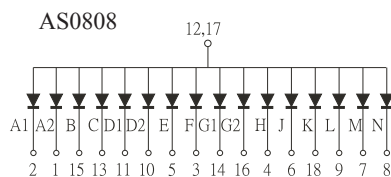
**A/C S0808**



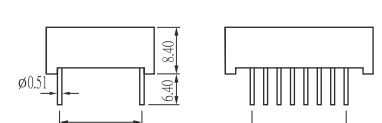
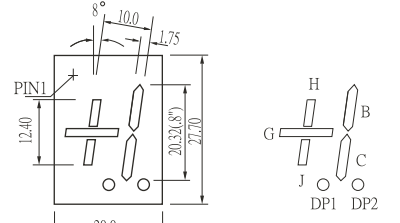
**CS0808**



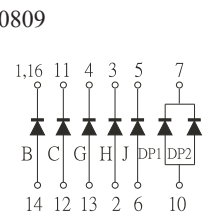
**AS0808**



**A/C S0809**



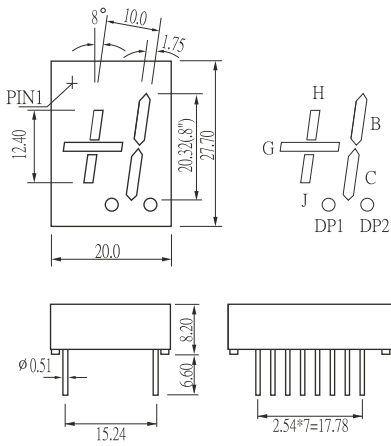
**CS0809**



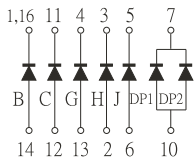
8,9,15 NO PIN

Notes: 1. All dimensions are in millimeter (inches), tolerance is 0.25 unless otherwise noted.  
2. Specifications are subject to change without notice.

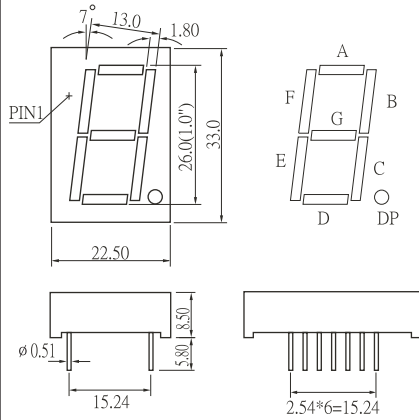
**A/C S08010**



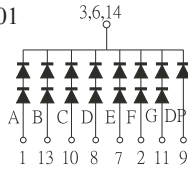
**CS08010**



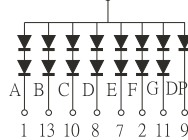
**A/C S1001**



**CS1001**

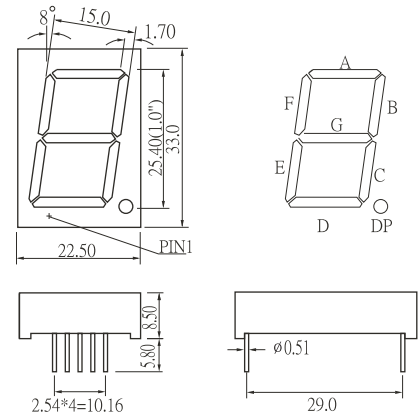


**AS1001**

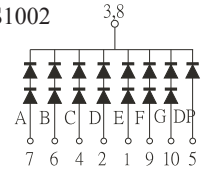


4.5 & 12 NO PIN

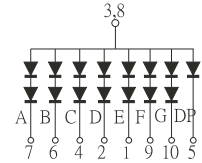
**A/C S1002**



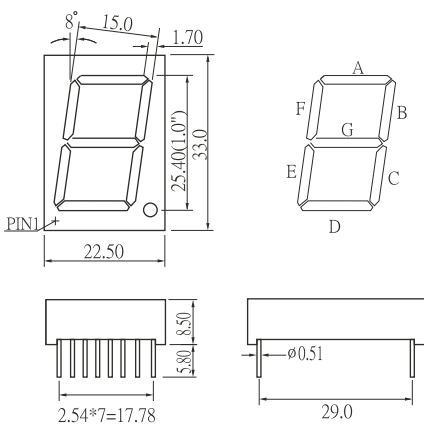
**CS1002**



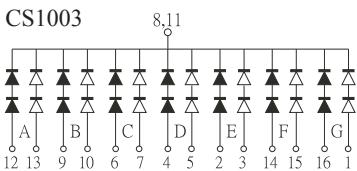
**AS1002**



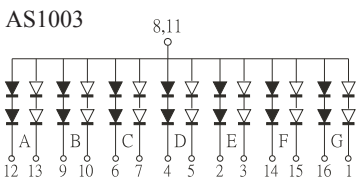
**A/C S1003**



**CS1003**

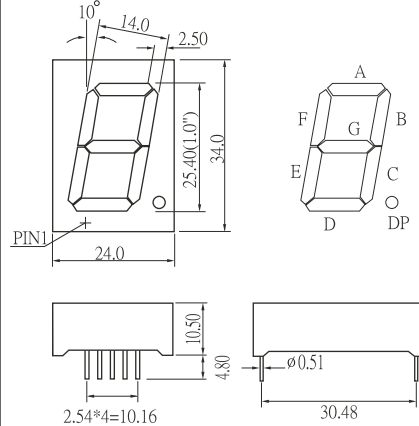


**AS1003**

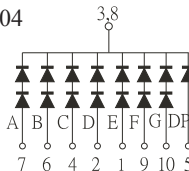


▶=ORANGE    ◀=GREEN

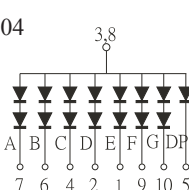
**A/C S1004**



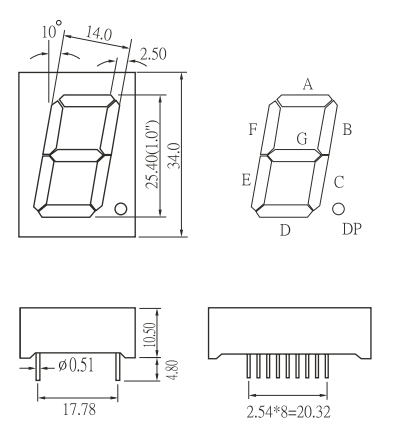
**CS1004**



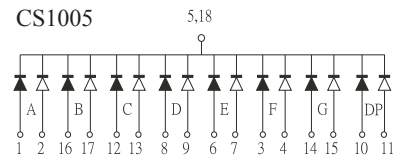
**AS1004**



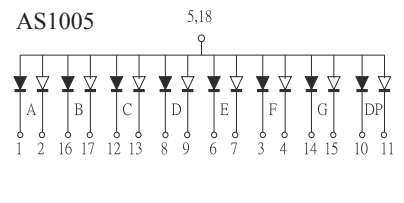
**A/C S1005**



**CS1005**



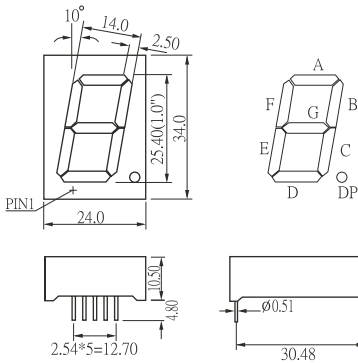
**AS1005**



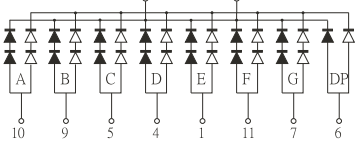
▶=ORANGE    ◀=GREEN

Notes: 1. All dimensions are in millimeter (inches), tolerance is 0.25 unless otherwise noted.  
2. Specifications are subject to change without notice.

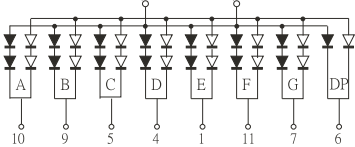
**A/C S1006**



**CS1006**

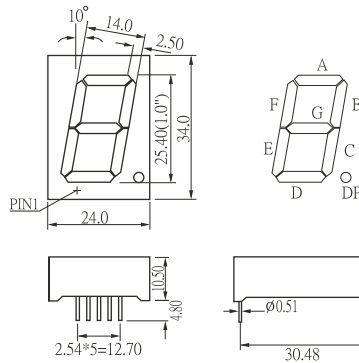


**AS1006**

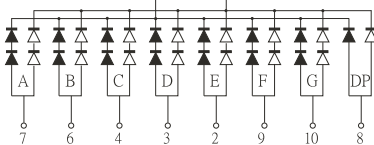


▶=ORANGE ◀=GREEN

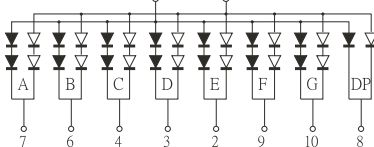
**A/C S1007**



**CS1007**

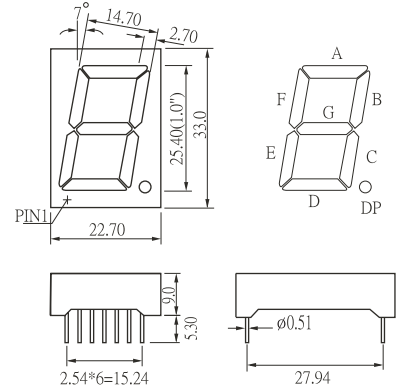


**AS1007**

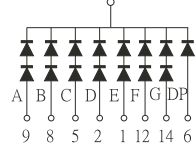


▶=ORANGE ◀=GREEN

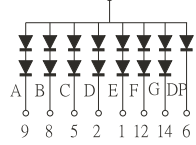
**A/C S1008**



**CS1008**

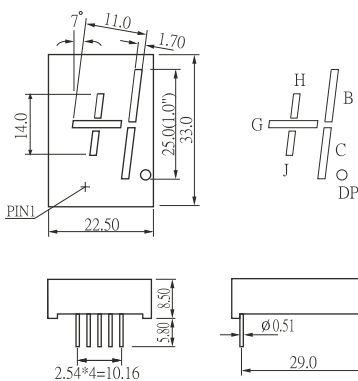


**AS1008**

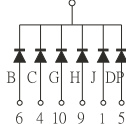


3,7,10,13 NO PIN

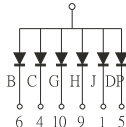
**A/C S1009**



**CS1009**

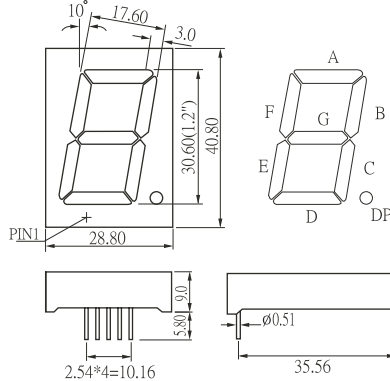


**AS1009**

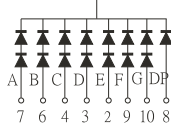


2,7 NO PIN

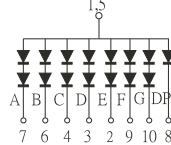
**A/C S1201**



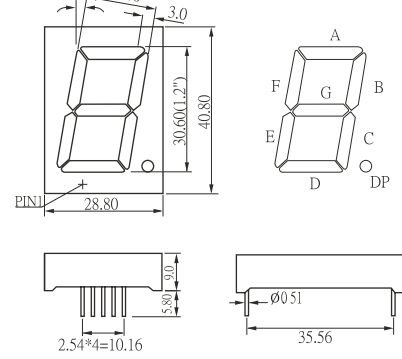
**CS1201**



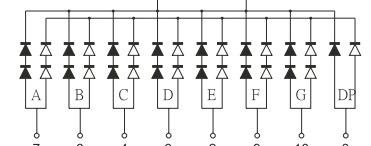
**AS1201**



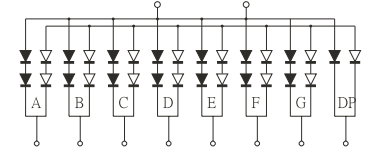
**A/C S1202**



**CS1202**



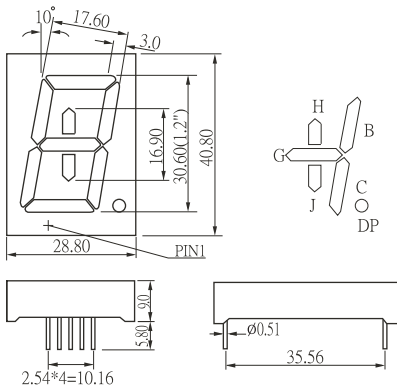
**AS1202**



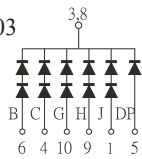
▶=ORANGE ◀=GREEN

Notes: 1. All dimensions are in millimeter (inches), tolerance is 0.25 unless otherwise noted.  
2. Specifications are subject to change without notice.

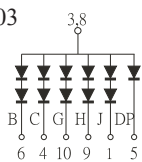
**A/C S1203**



**CS1203**

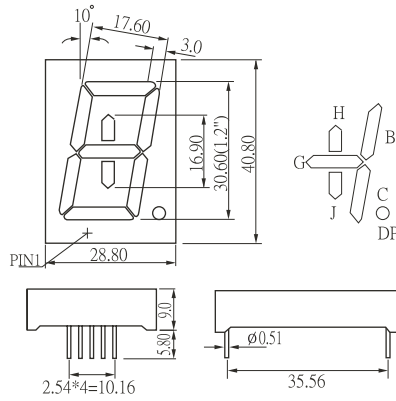


**AS1203**

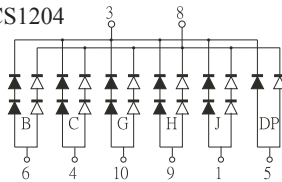


2,7 NO PIN

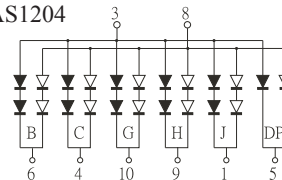
**A/C S1204**



**CS1204**

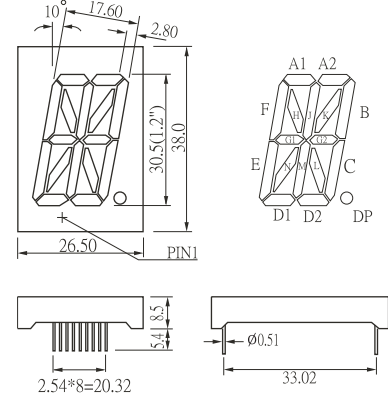


**AS1204**

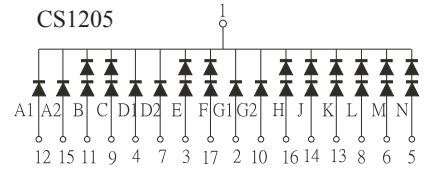


▷ = GREEN ◀ = ORANGE 2,7 NO PIN

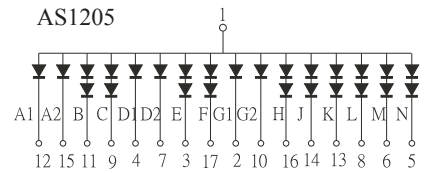
**A/C S1205**



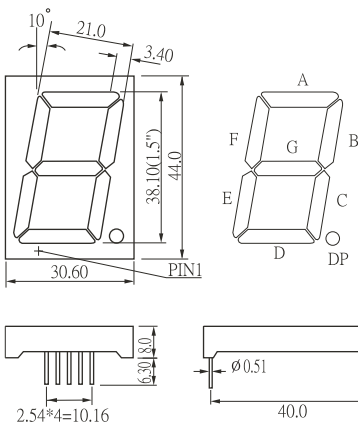
**CS1205**



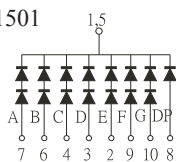
**AS1205**



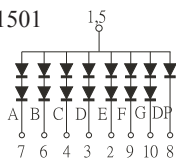
**A/C S1501**



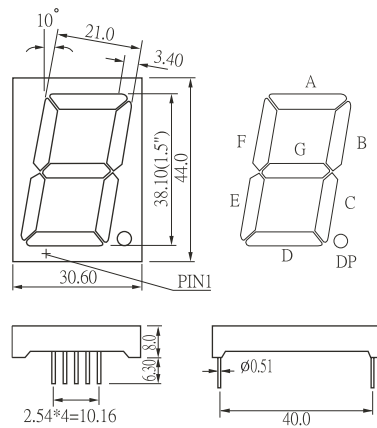
**CS1501**



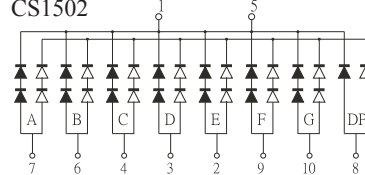
**AS1501**



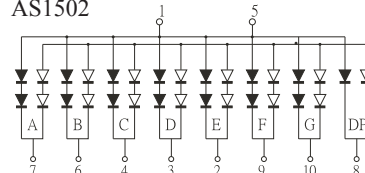
**A/C S1502**



**CS1502**

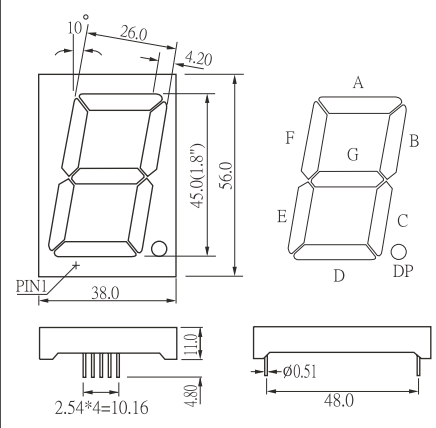


**AS1502**

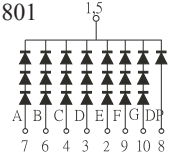


▷ = GREEN ◀ = ORANGE 2,7 NO PIN

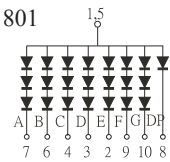
**A/C S1801**



**CS1801**

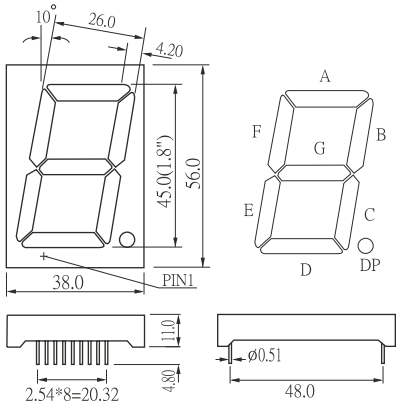


**AS1801**

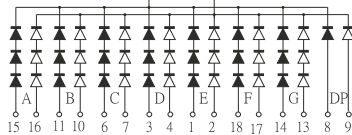


Notes: 1. All dimensions are in millimeter (inches), tolerance is 0.25 unless otherwise noted.  
2. Specifications are subject to change without notice.

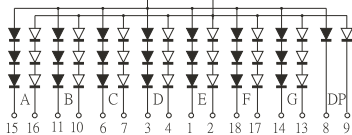
**A/C S1802**



**CS1802**

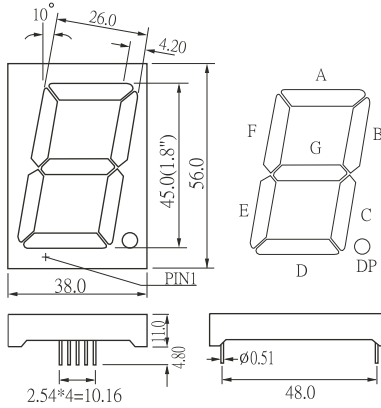


**AS1802**

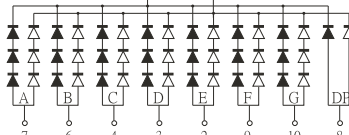


▷=GREEN    ◀=ORANGE

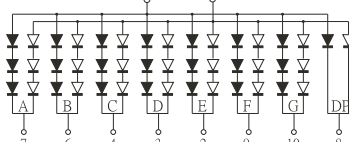
**A/C S1803**



**CS1803**

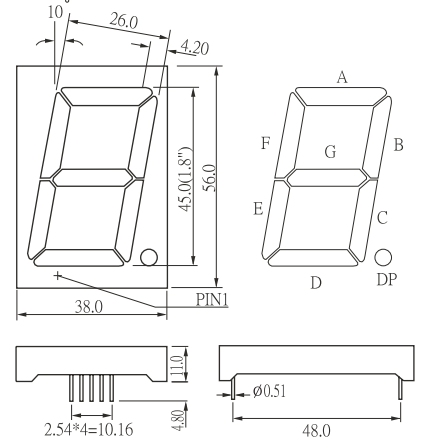


**AS1803**

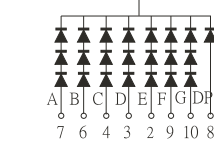


▷=GREEN    ◀=ORANGE

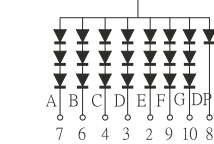
**A/C S1804**



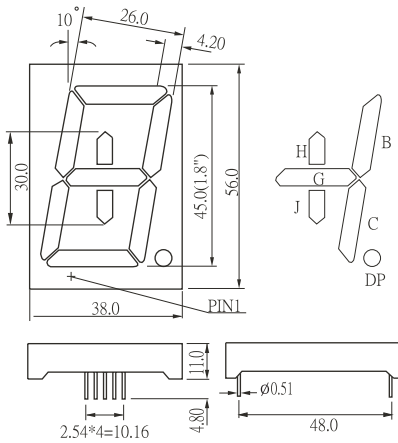
**CS1804**



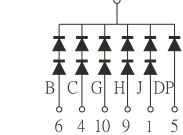
**AS1804**



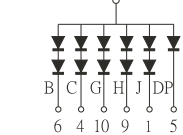
**A/C S1805**



**CS1805**

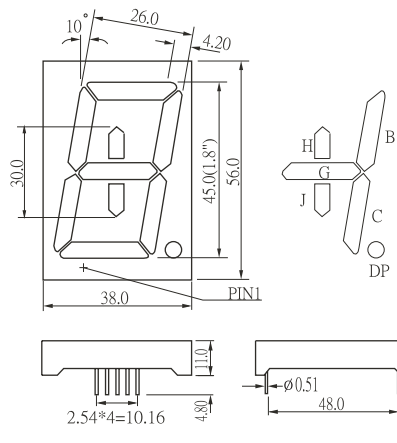


**AS1805**

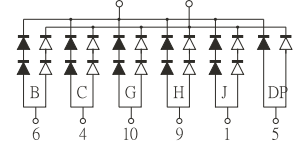


2,7 NO PIN

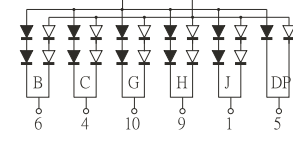
**A/C S1806**



**CS1806**

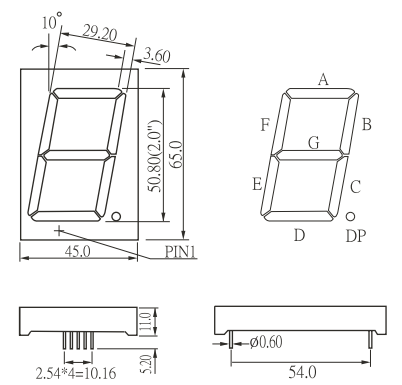


**AS1806**

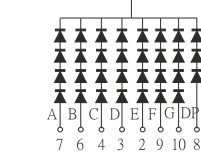


▷=GREEN    ◀=ORANGE    2,7 NO PIN

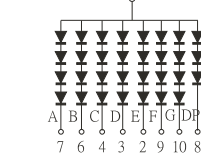
**A/C S2001**



**CS2001**



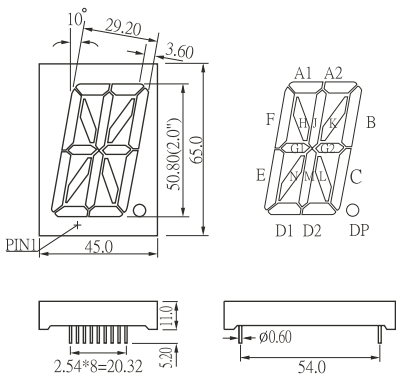
**AS2001**



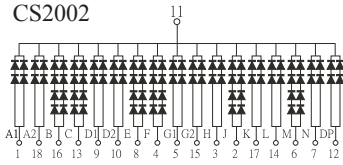
3,5,10,11 NO PIN

Notes: 1. All dimensions are in millimeter (inches) , tolerance is 0.25 unless otherwise noted.  
2.Specifications are subject to change without notice.

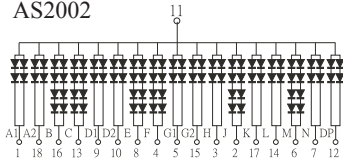
A/C S2002



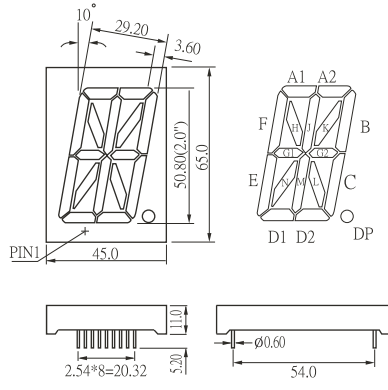
CS2002



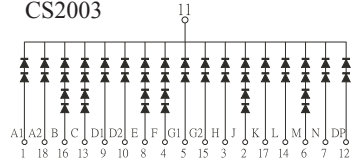
AS2002



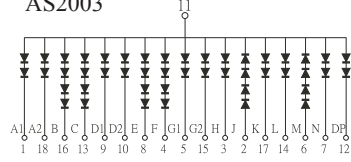
A/C S2003



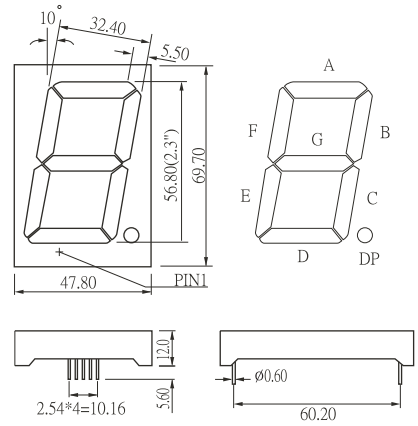
CS2003



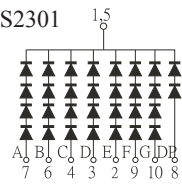
AS2003



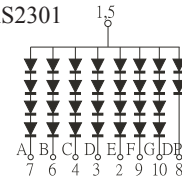
A/C S2301



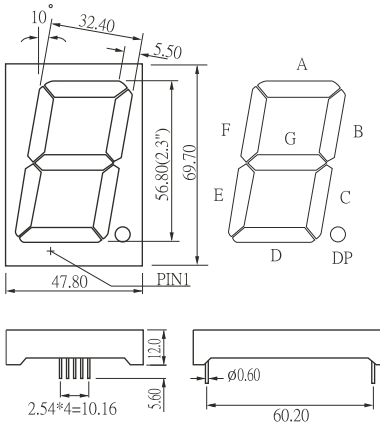
CS2301



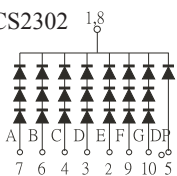
AS2301



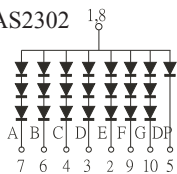
A/C S2302



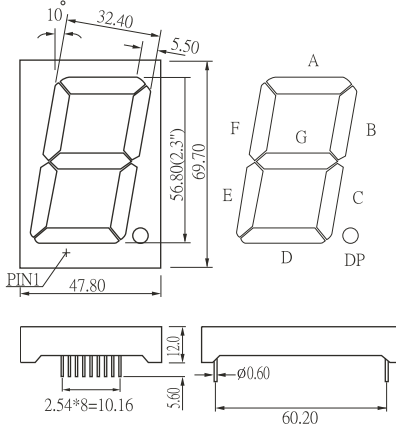
CS2302



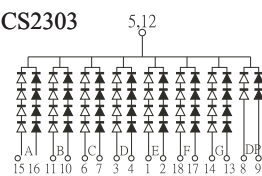
AS2302



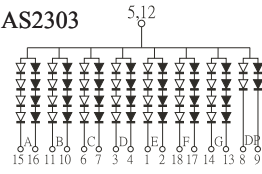
A/C S2303



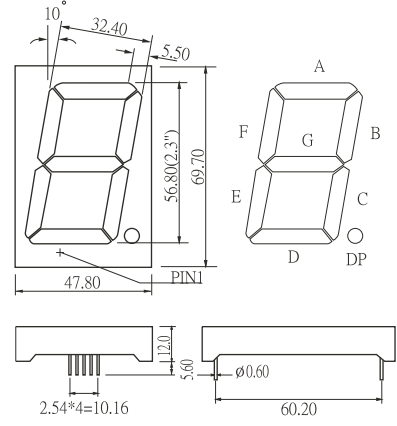
CS2303



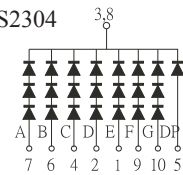
AS2303



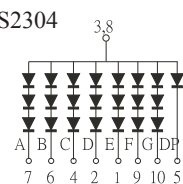
A/C S2304



CS2304



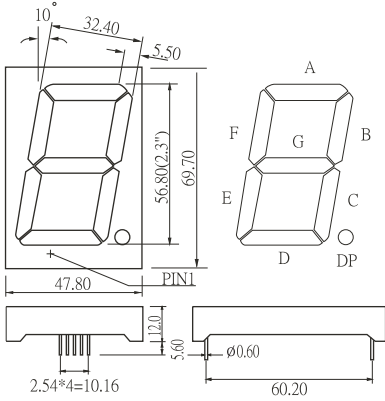
AS2304



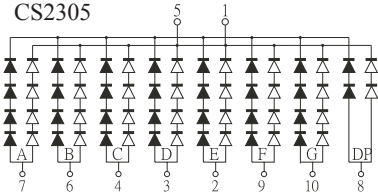
◀=GREEN ▶=ORANGE

Notes: 1. All dimensions are in millimeter (inches), tolerance is 0.25 unless otherwise noted.  
2. Specifications are subject to change without notice.

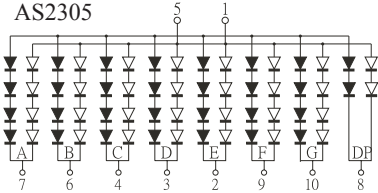
**A/C S2305**



**CS2305**

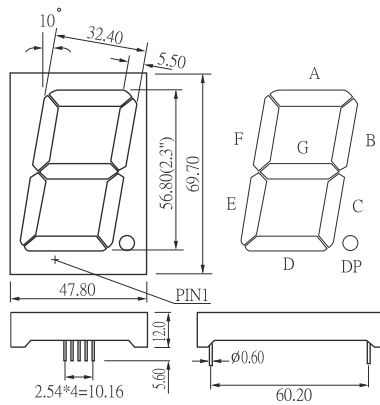


**AS2305**

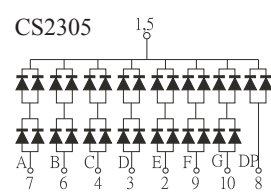


▷-GREEN    ▷-ORANGE

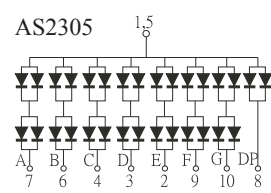
**A/C S2306**



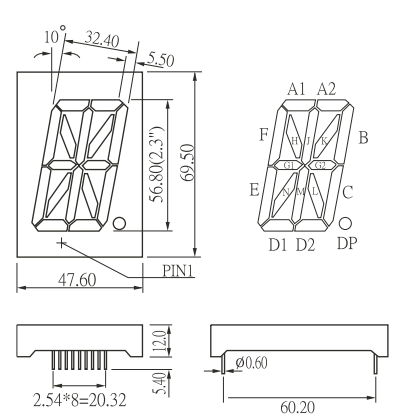
**CS2306**



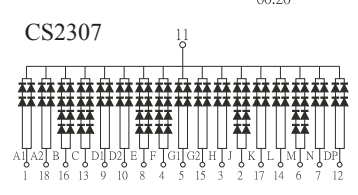
**AS2306**



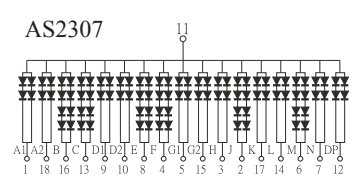
**A/C S2307**



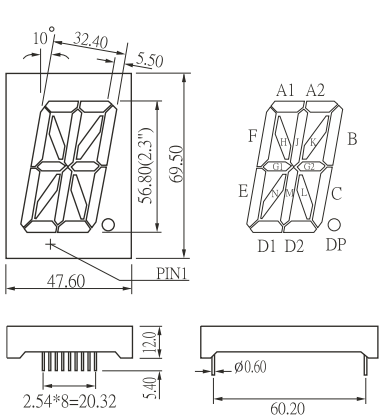
**CS2307**



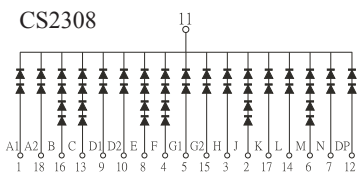
**AS2307**



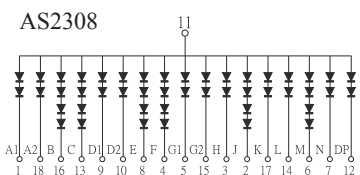
**A/C S2308**



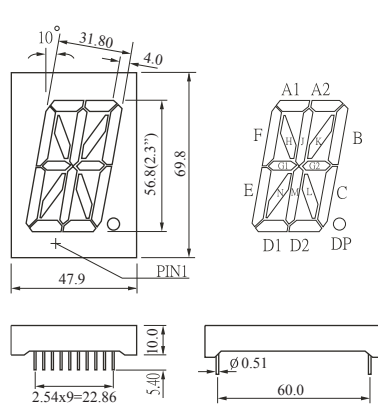
**CS2308**



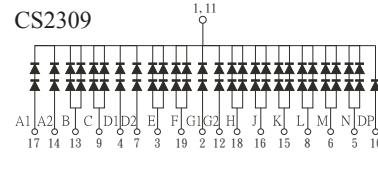
**AS2308**



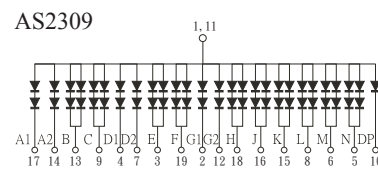
**A/C S2309**



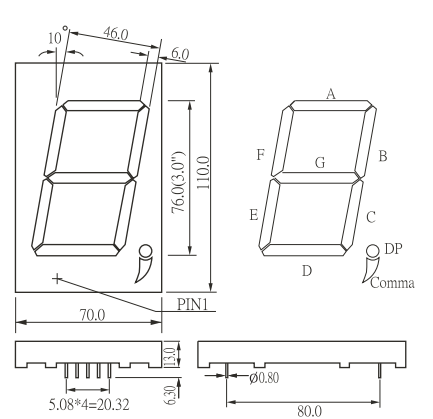
**CS2309**



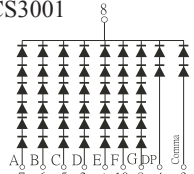
**AS2309**



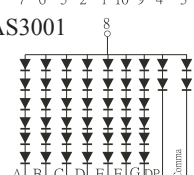
**A/C S3001**



**CS3001**

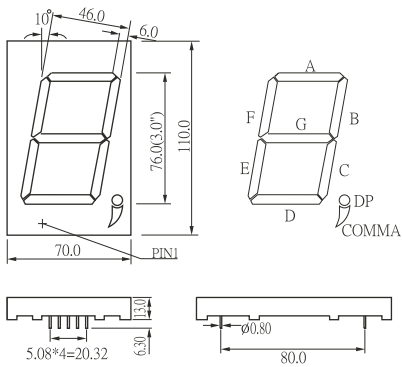


**AS3001**

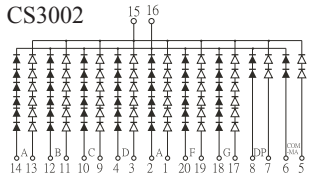


Notes: 1. All dimensions are in millimeter (inches), tolerance is 0.25 unless otherwise noted.  
2. Specifications are subject to change without notice.

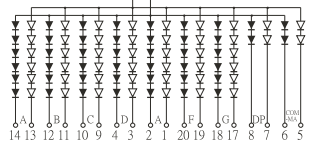
**A/C S3002**



**CS3002**

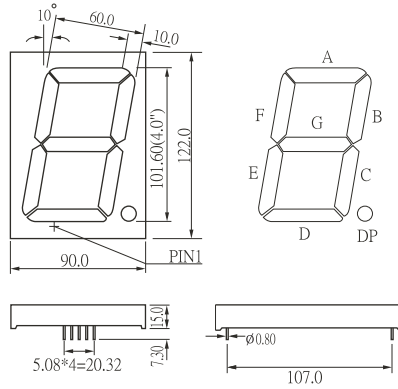


**AS3002**

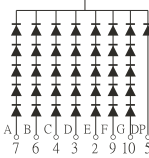


▷=GREEN    ◀=ORANGE

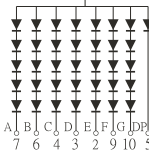
**A/C S4001**



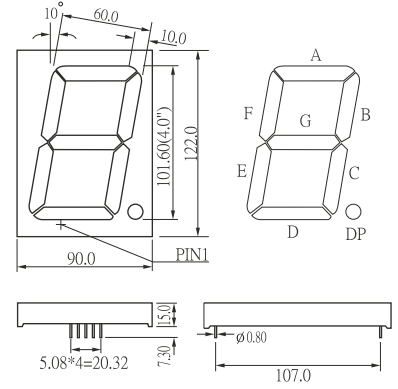
**CS4001**



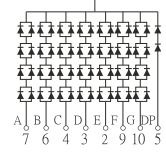
**AS4001**



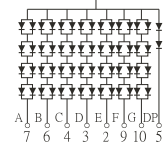
**A/C S4002**



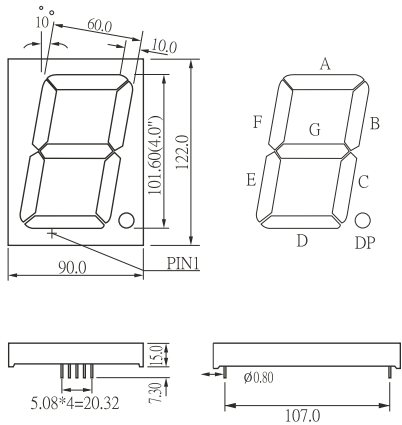
**CS4002**



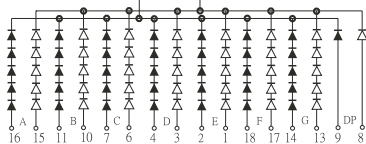
**AS4002**



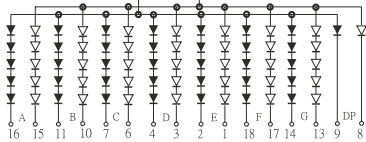
**A/C S4003**



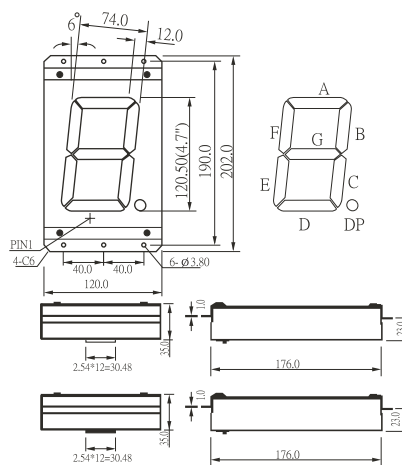
**CS4002**



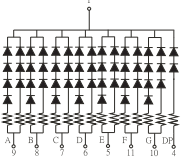
**AS4002**



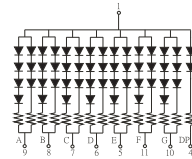
**A/C S4701**



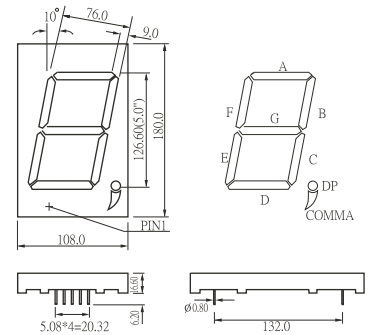
**CS4701**



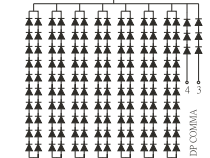
**AS4701**



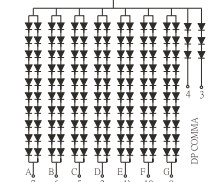
**A/C S5001**



**CS5001**



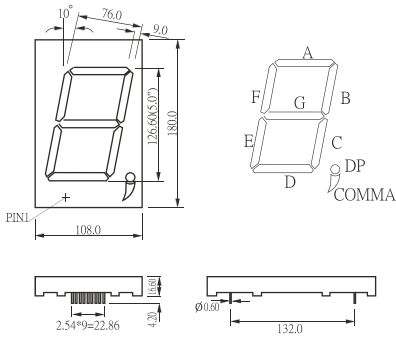
**AS5001**



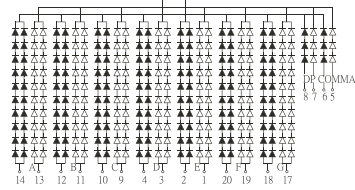
2,3,12,13 NO PIN

Notes: 1. All dimensions are in millimeter (inches), tolerance is 0.25 unless otherwise noted.  
2. Specifications are subject to change without notice.

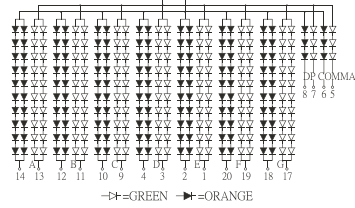
**A/C S5002**



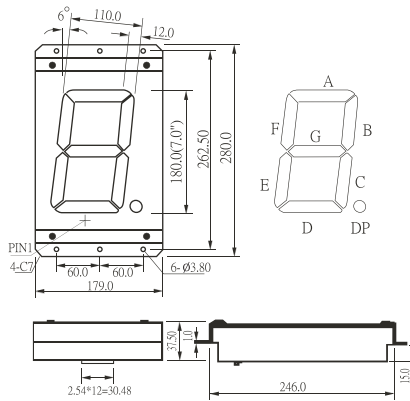
**CS5002**



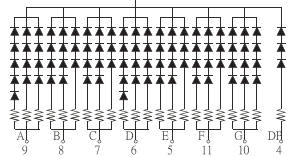
**AS5002**



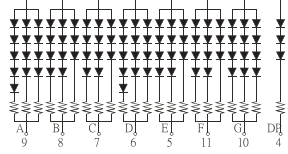
**A/C S7001**



**CS7001**

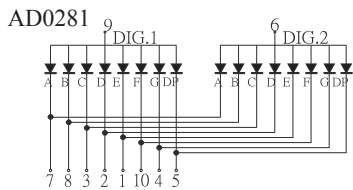
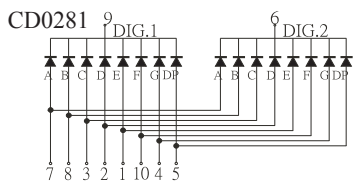
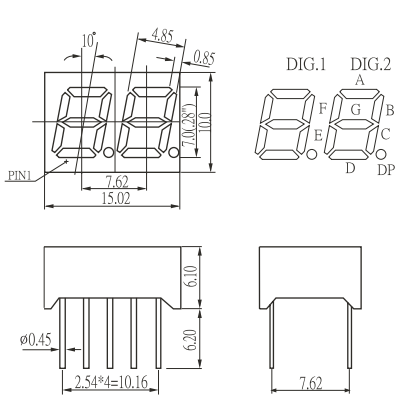


**AS7001**

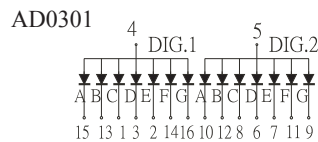
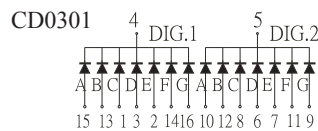
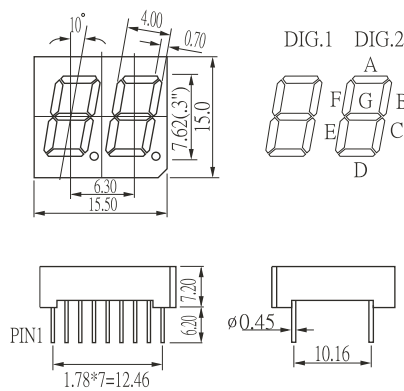


3,12,13 NO PIN

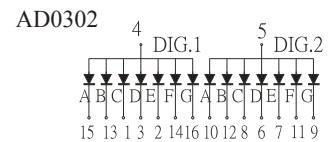
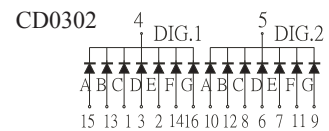
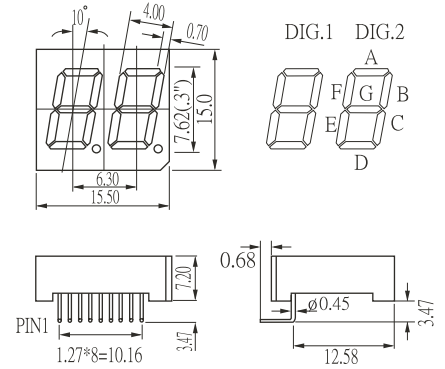
**A/C D0281**



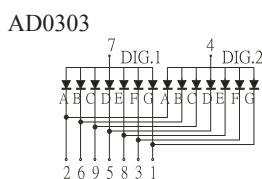
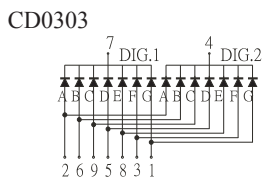
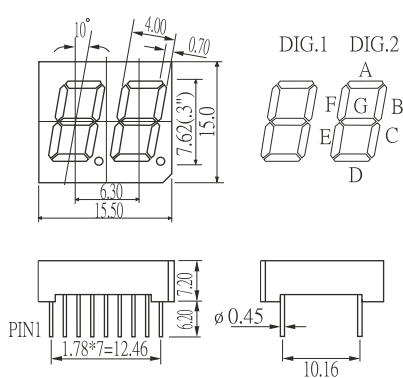
**A/C D0301**



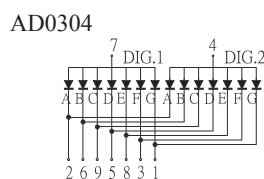
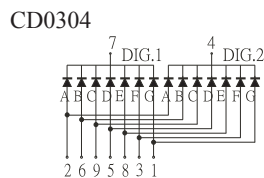
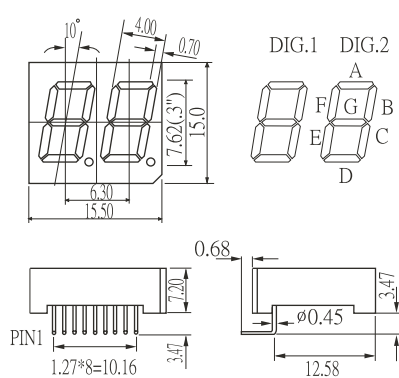
**A/C D0302**



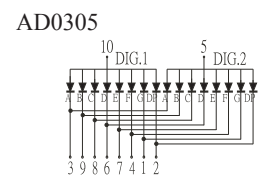
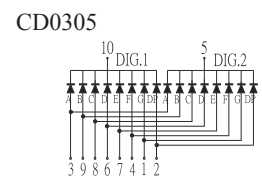
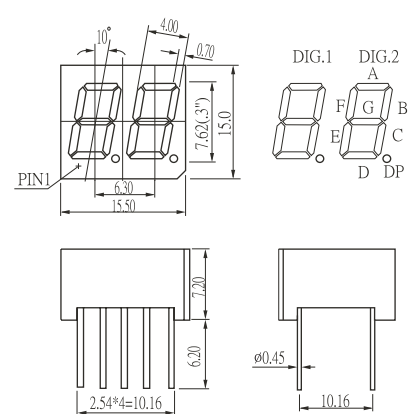
**A/C D0303**



**A/C D0304**

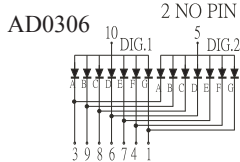
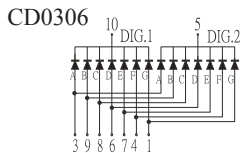
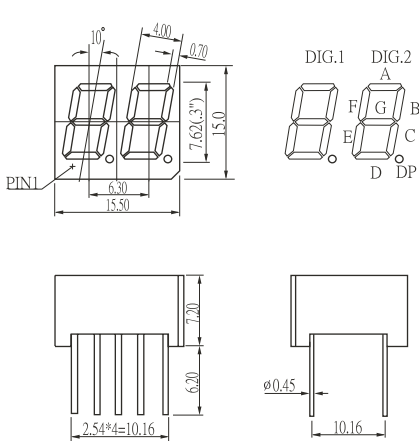


**A/C D0305**

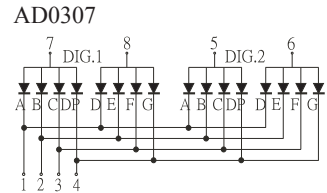
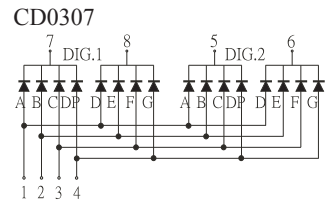
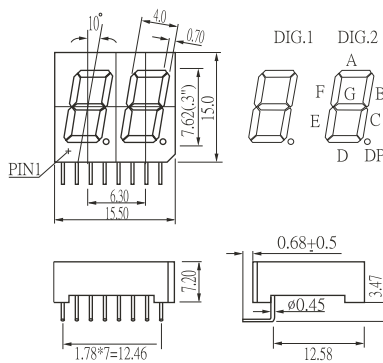


Notes: 1. All dimensions are in millimeter (inches), tolerance is 0.25 unless otherwise noted.  
2. Specifications are subject to change without notice.

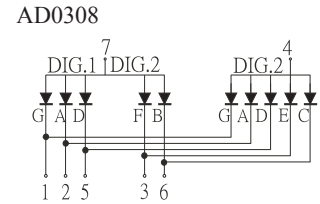
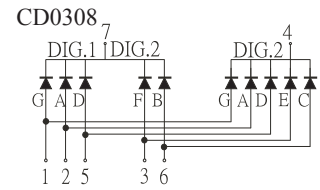
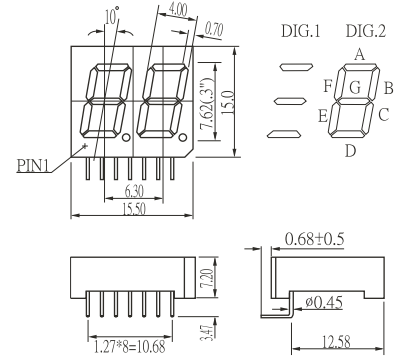
**A/C D0306**



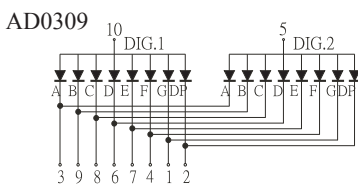
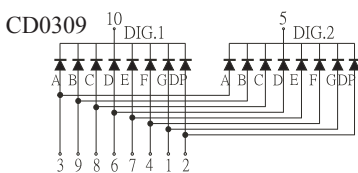
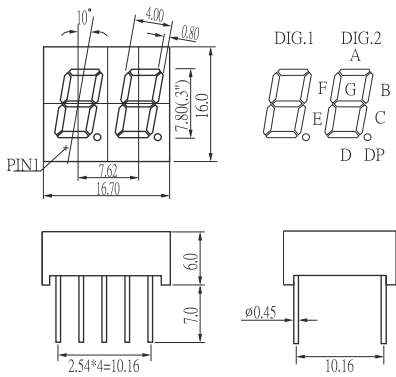
**A/C D0307**



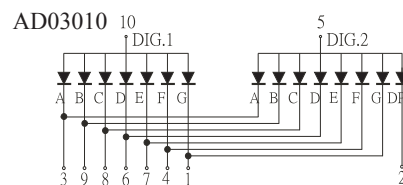
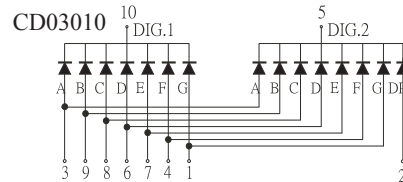
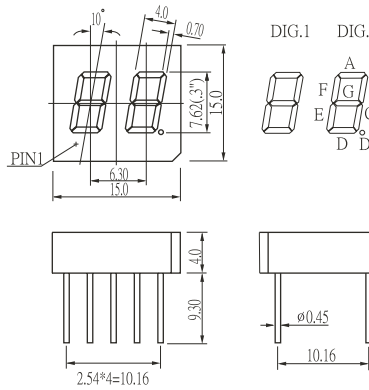
**A/C D0308**



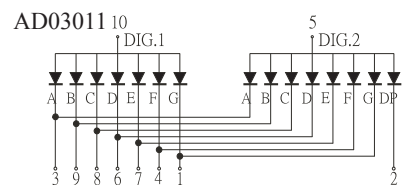
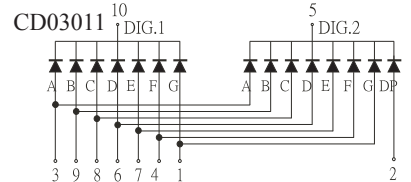
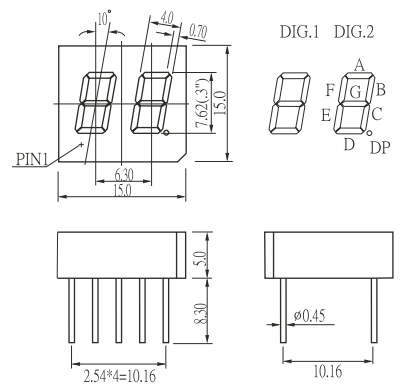
**A/C D0309**



**A/C D03010**

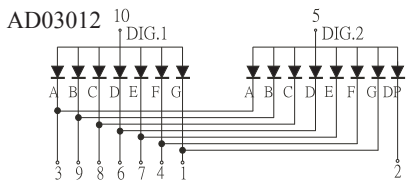
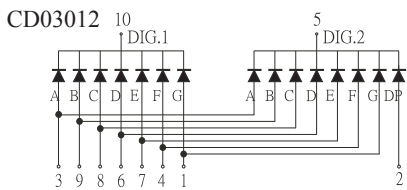
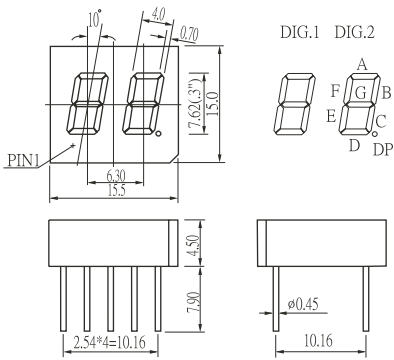


**A/C D03011**

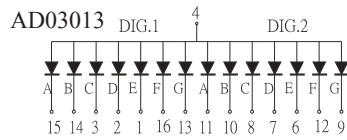
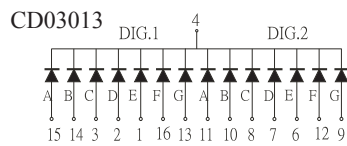
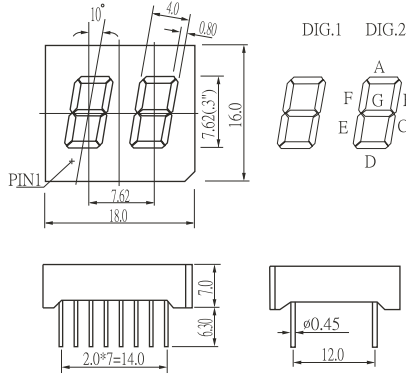


Notes: 1. All dimensions are in millimeter (inches), tolerance is 0.25 unless otherwise noted.  
2. Specifications are subject to change without notice.

**A/C D03012**

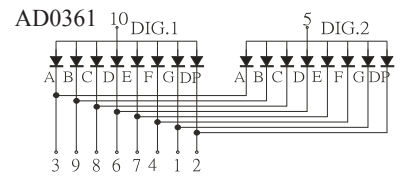
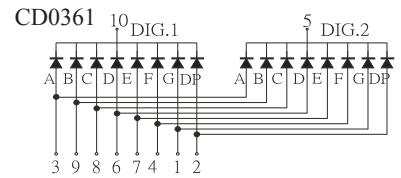
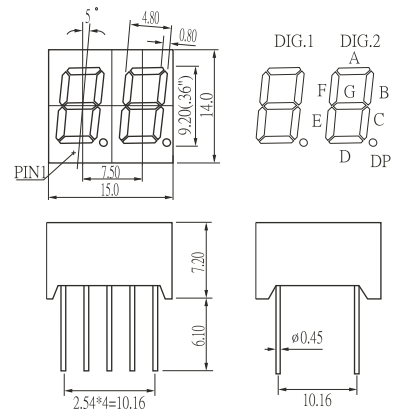


**A/C D03013**

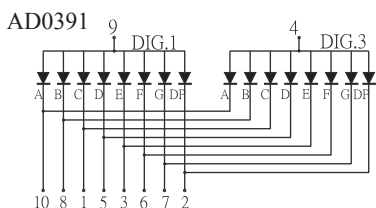
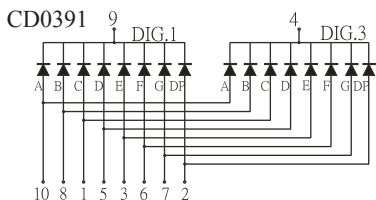
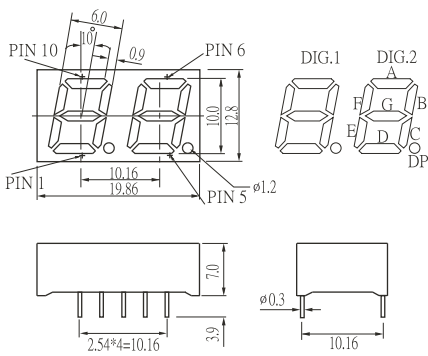


5 NO PIN

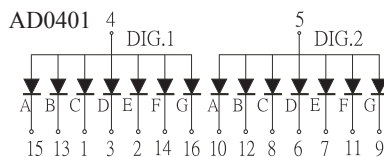
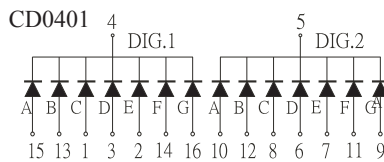
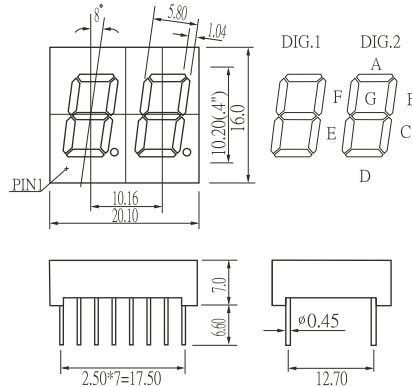
**A/C D0361**



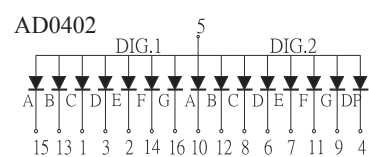
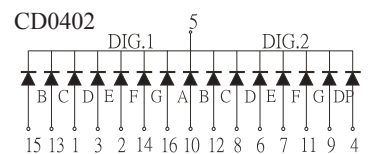
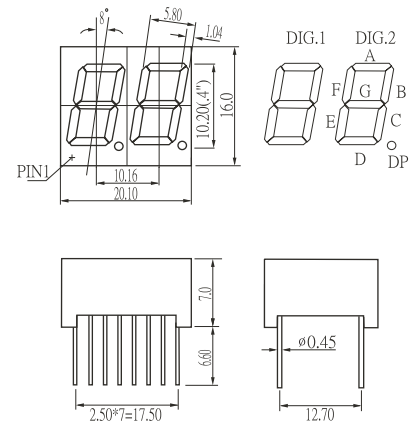
**A/C D0391**



**A/C D0401**

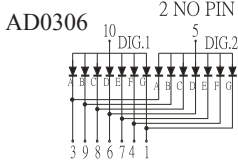
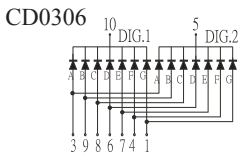
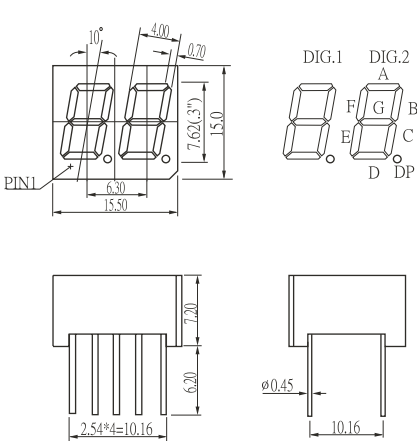


**A/C D0402**

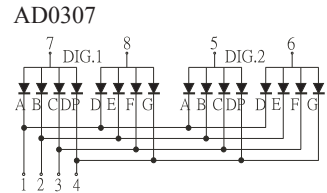
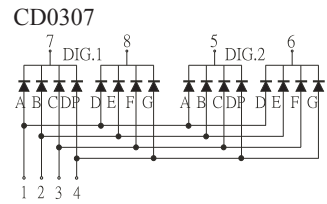
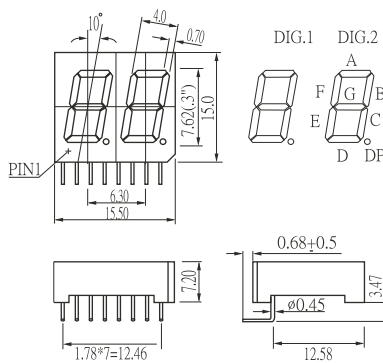


Notes: 1. All dimensions are in millimeter (inches), tolerance is 0.25 unless otherwise noted.  
2. Specifications are subject to change without notice.

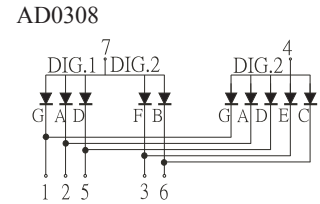
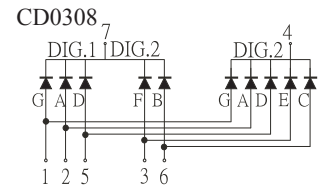
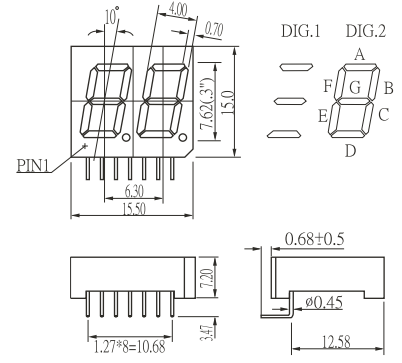
**A/C D0306**



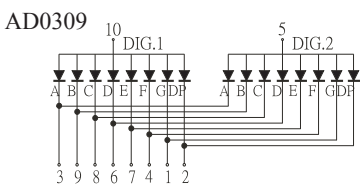
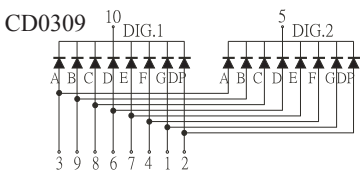
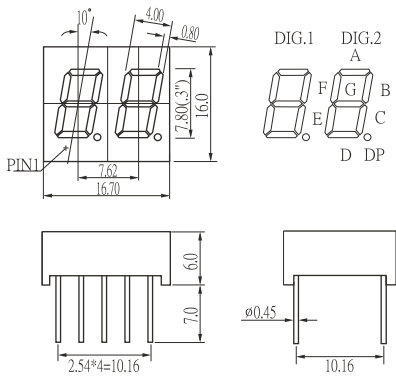
**A/C D0307**



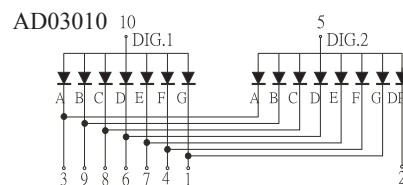
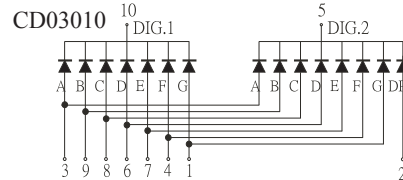
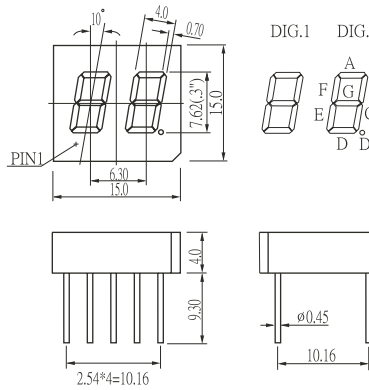
**A/C D0308**



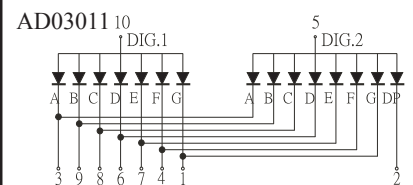
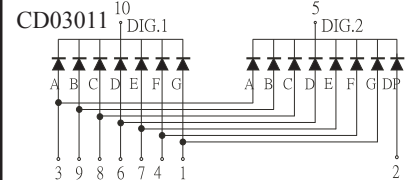
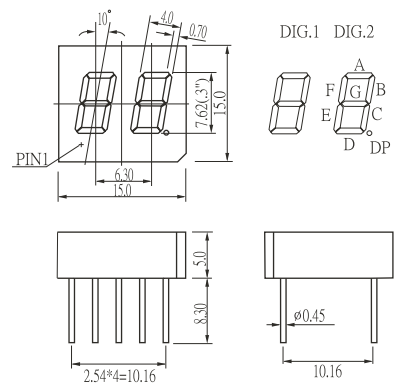
**A/C D0309**



**A/C D03010**

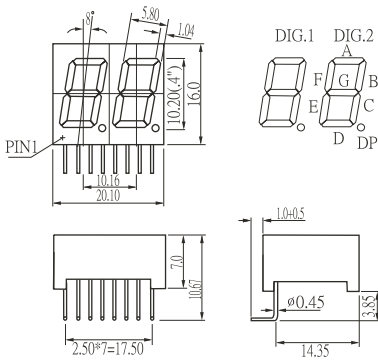


**A/C D03011**

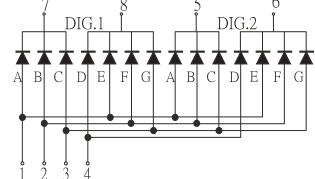


Notes: 1. All dimensions are in millimeter (inches), tolerance is 0.25 unless otherwise noted.  
2. Specifications are subject to change without notice.

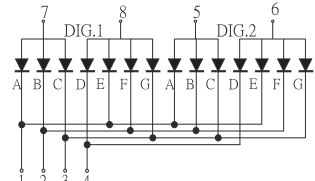
**A/C D0403**



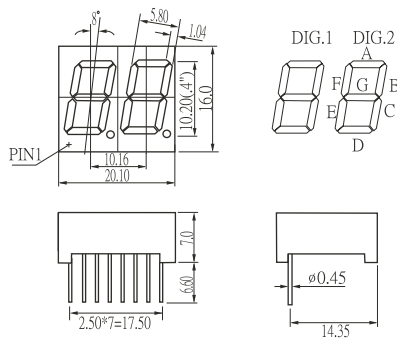
**CD0403**



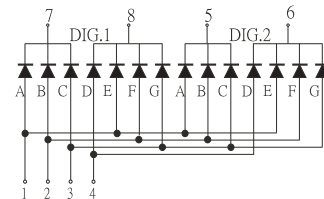
**AD0403**



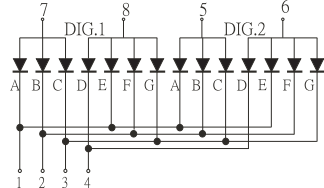
**A/C D0404**



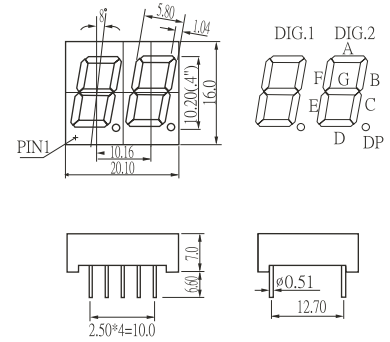
**CD0404**



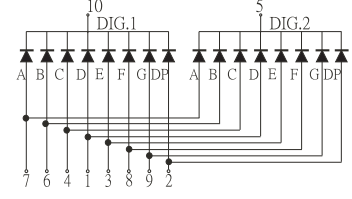
**AD0404**



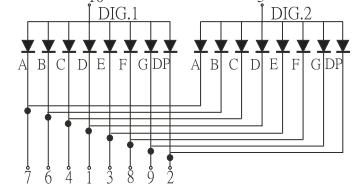
**A/C D0405**



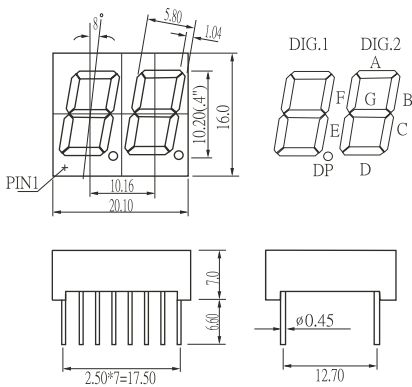
**CD0405**



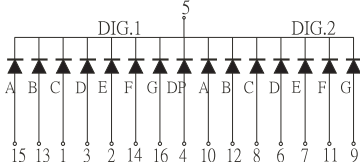
**AD0405**



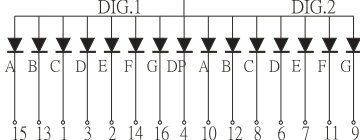
**A/C D0406**



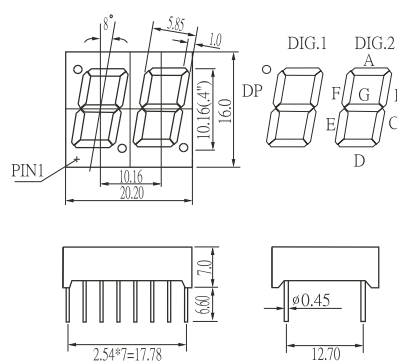
**CD0406**



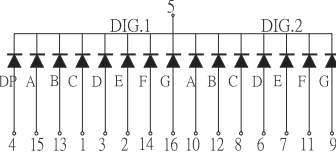
**AD0406**



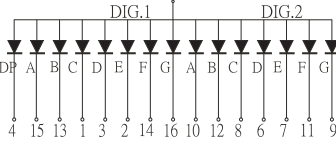
**A/C D0407**



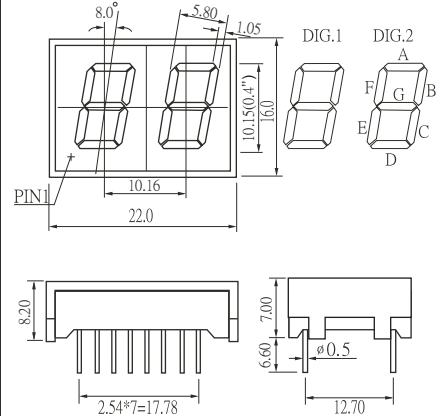
**CD0407**



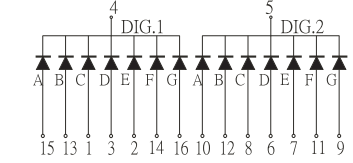
**AD0407**



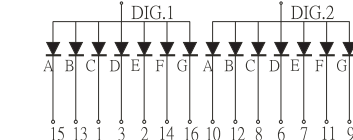
**A/C D0431**



**CD0431**

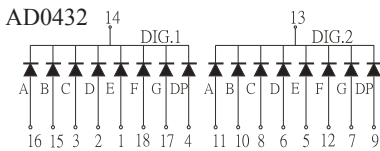
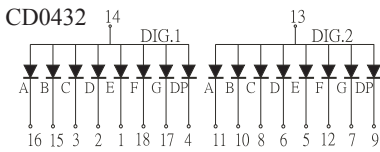
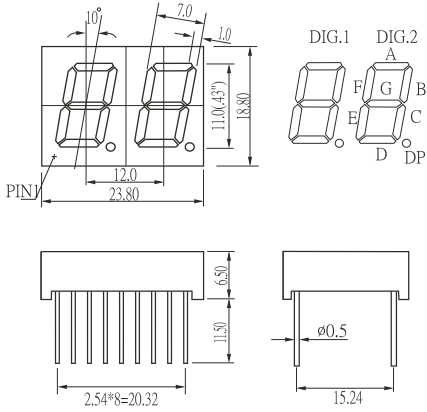


**AD0431**

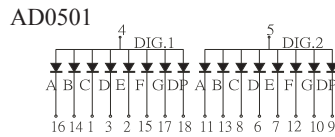
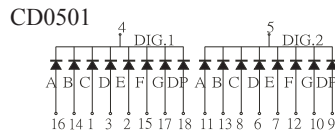
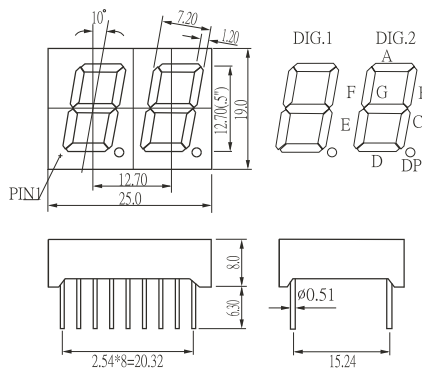


Notes: 1. All dimensions are in millimeter (inches), tolerance is 0.25 unless otherwise noted.  
2. Specifications are subject to change without notice.

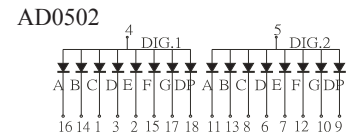
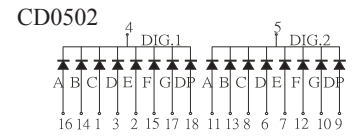
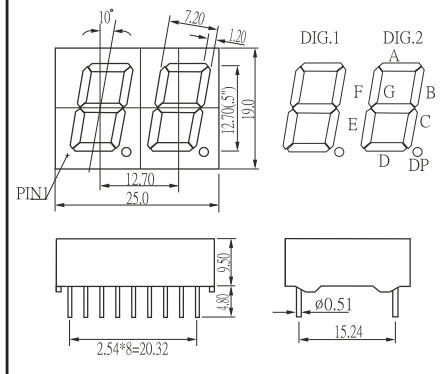
**A/C D0432**



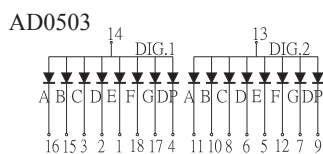
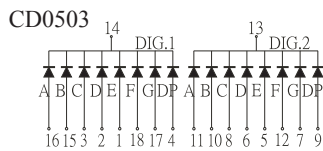
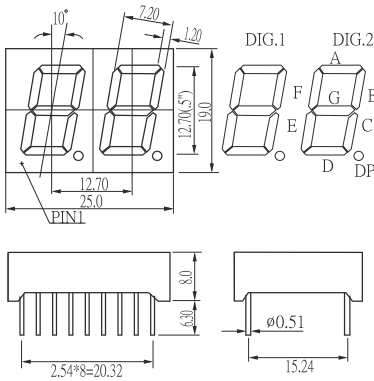
**A/C D0501**



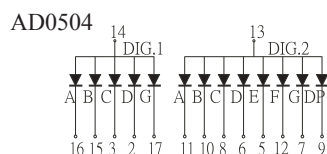
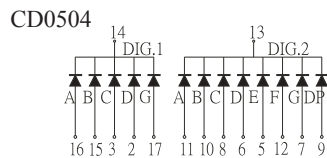
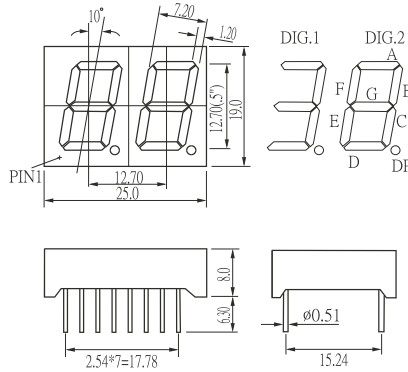
**A/C D0502**



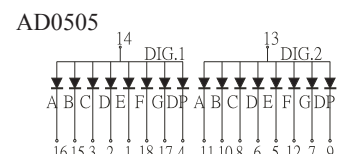
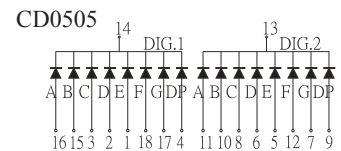
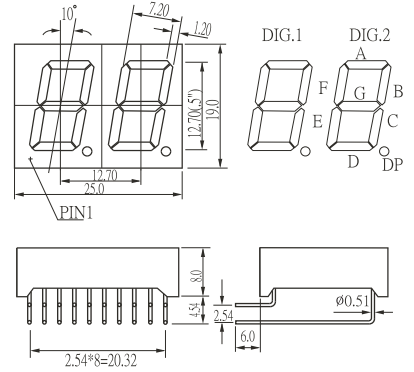
**A/C D0503**



**A/C D0504**



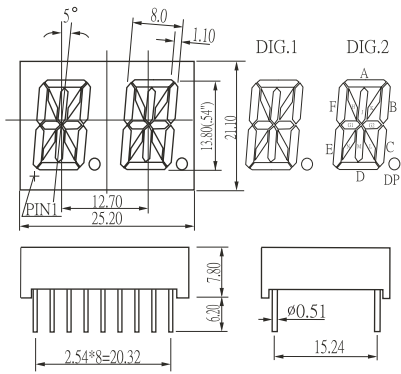
**A/C D0505**



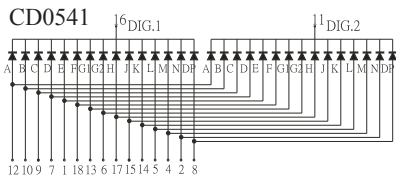
1,4,18,NO PIN

Notes: 1. All dimensions are in millimeter (inches), tolerance is 0.25 unless otherwise noted.  
2. Specifications are subject to change without notice.

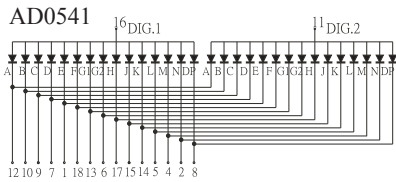
**A/C D0541**



**CD0541**

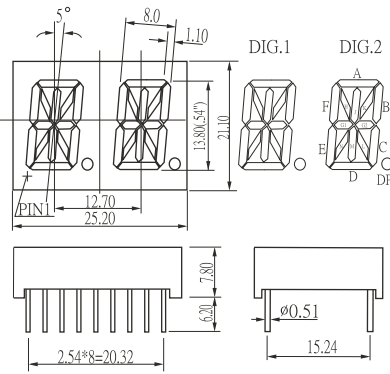


**AD0541**

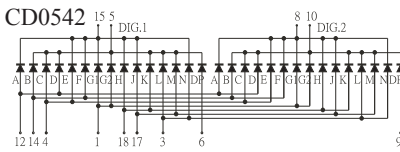


3 NO PIN

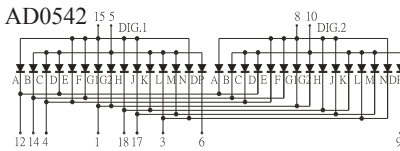
**A/C D0542**



**CD0542**

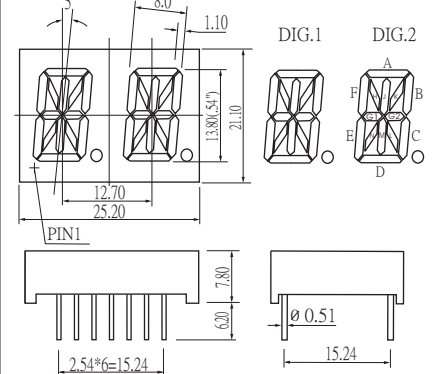


**AD0542**

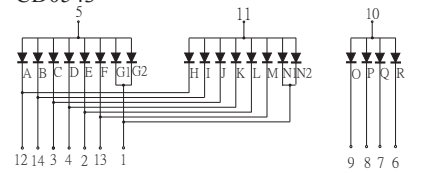


2,7,11,13,16 NO PIN

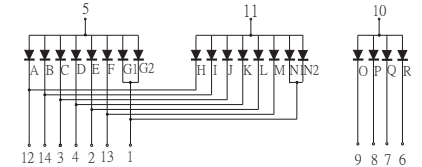
**A/C D0543**



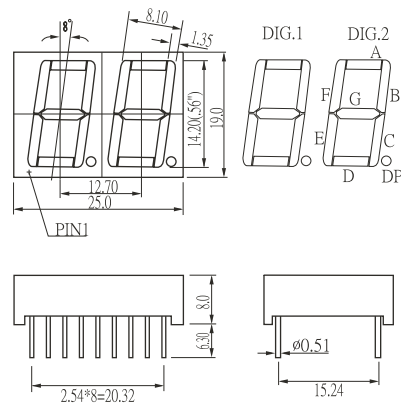
**CD0543**



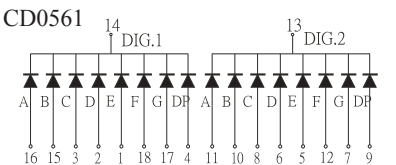
**AD0543**



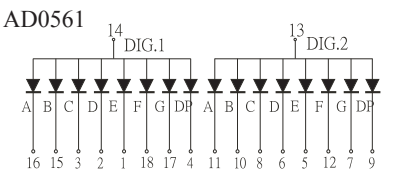
**A/C D0561**



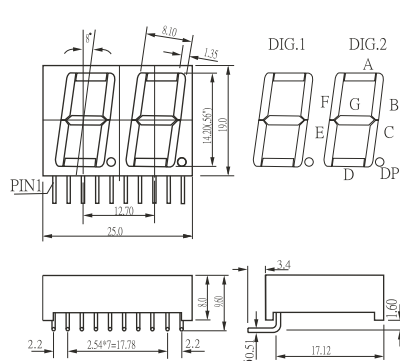
**CD0561**



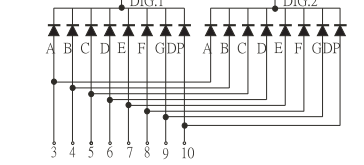
**AD0561**



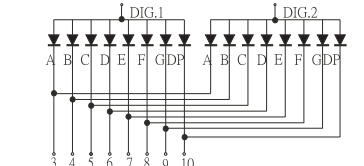
**A/C D0562**



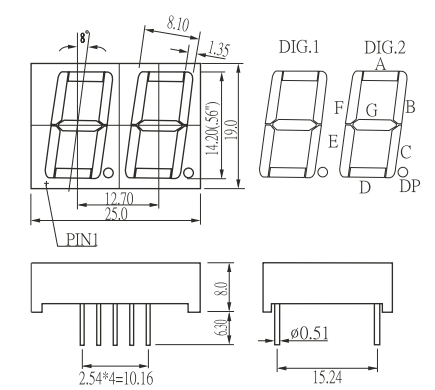
**CD0562**



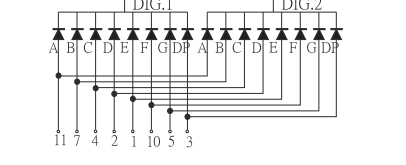
**AD0562**



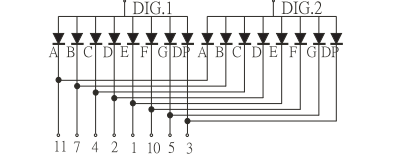
**A/C D0563**



**CD0563**



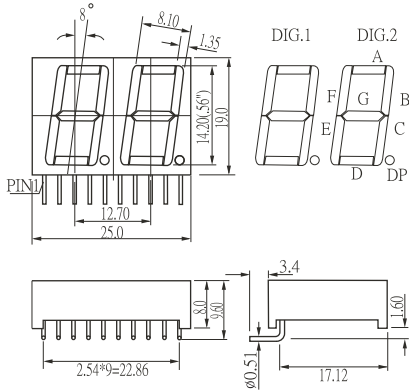
**AD0563**



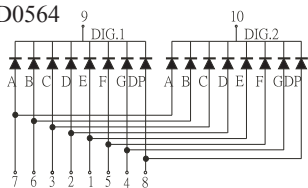
6,8, NO PIN

Notes: 1. All dimensions are in millimeter (inches), tolerance is 0.25 unless otherwise noted.  
2. Specifications are subject to change without notice.

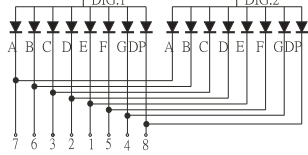
**A/C D0564**



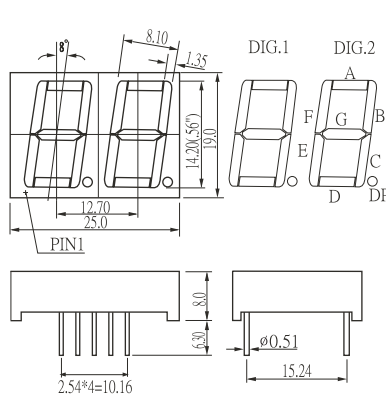
**CD0564**



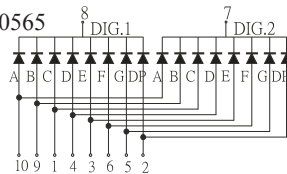
**AD0564**



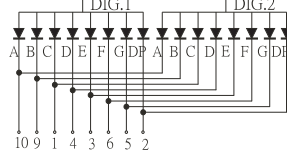
**A/C D0565**



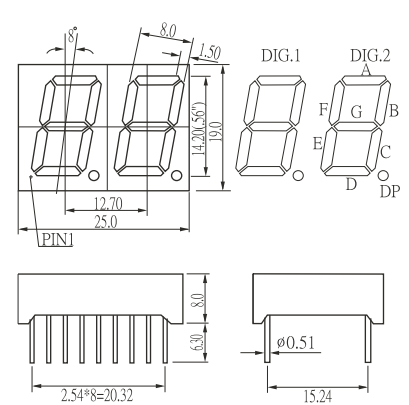
**CD0565**



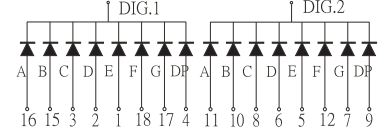
**AD0565**



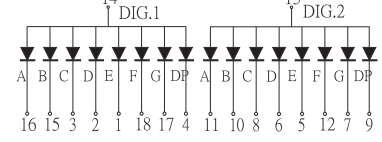
**A/C D0566**



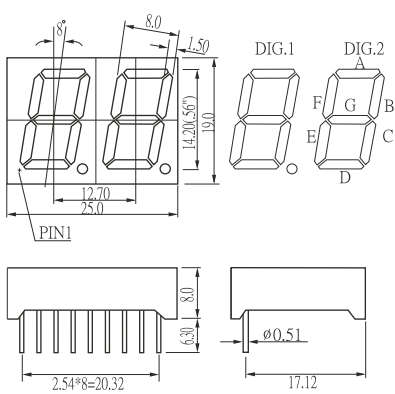
**CD0566**



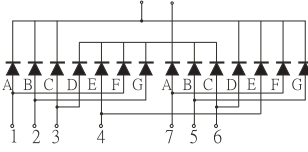
**AD0566**



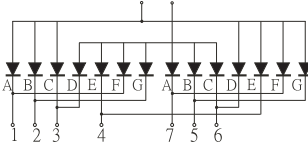
**A/C D0567**



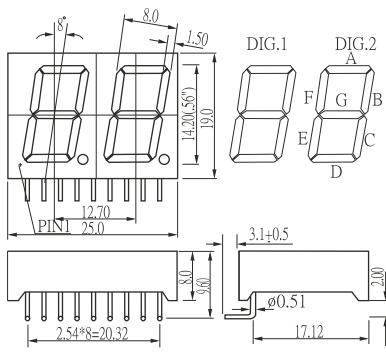
**CD0567**



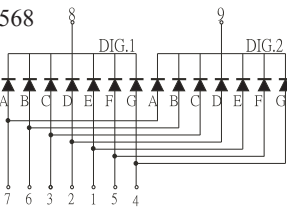
**AD0567**



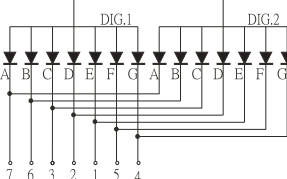
**A/C D0568**



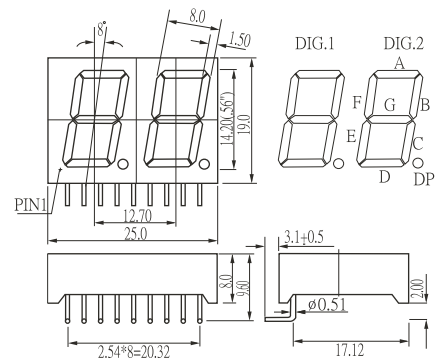
**CD0568**



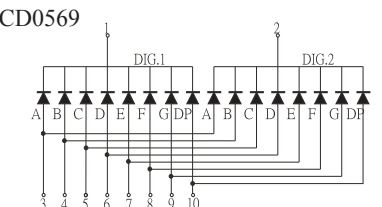
**AD0568**



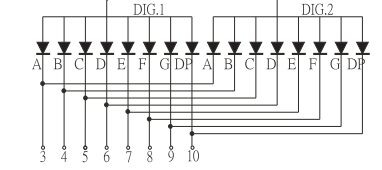
**A/C D0569**



**CD0569**

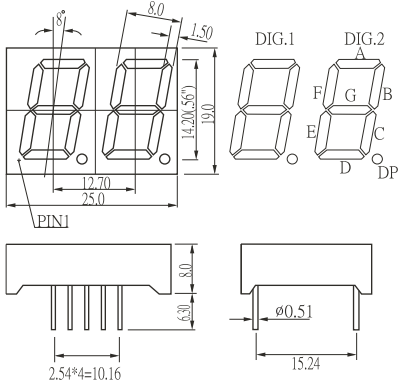


**AD0569**

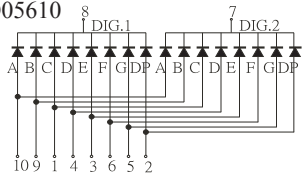


Notes: 1. All dimensions are in millimeter (inches), tolerance is 0.25 unless otherwise noted.  
2. Specifications are subject to change without notice.

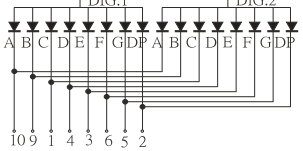
**A/C D05610**



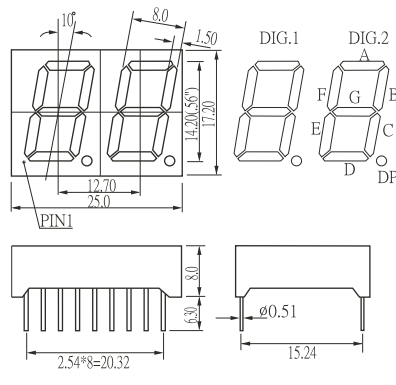
**CD05610**



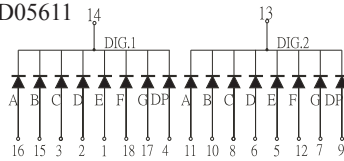
**AD05610**



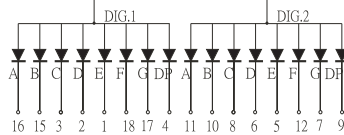
**A/C D05611**



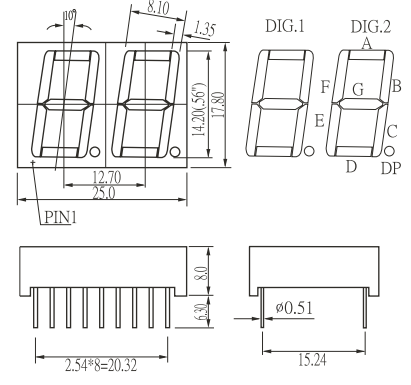
**CD05611**



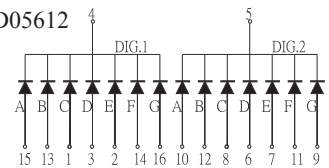
**AD05611**



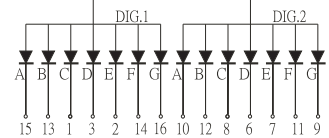
**A/C D05612**



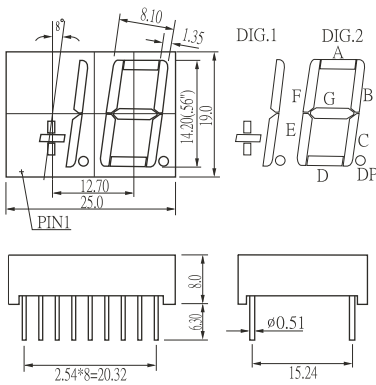
**CD05612**



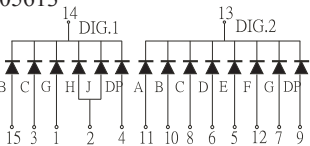
**AD05612**



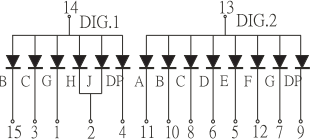
**A/C D05613**



**CD05613**

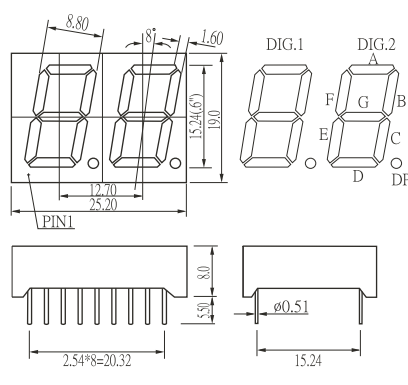


**AD05613**

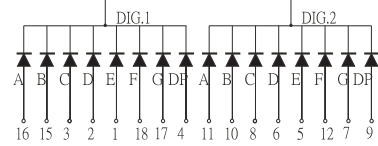


16,17&18 NO PIN

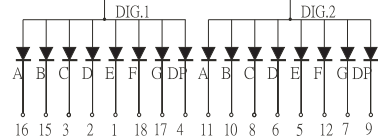
**A/C D0601**



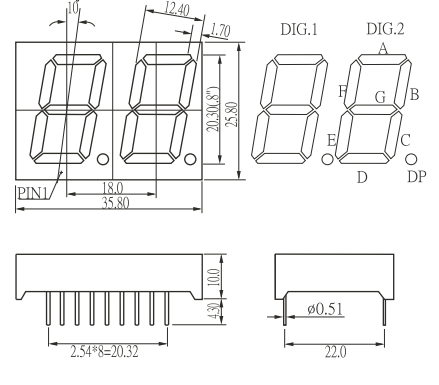
**CD0601**



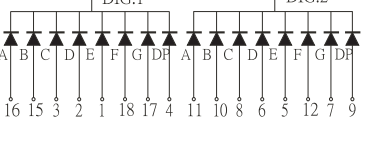
**AD0601**



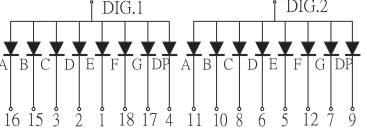
**A/C D0801**



**CD0801**

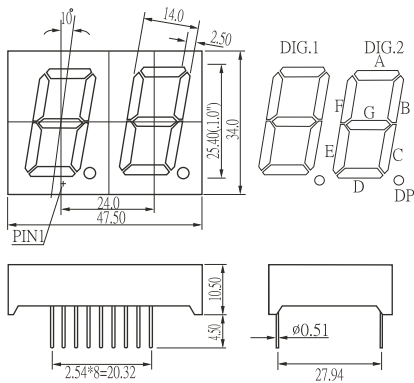


**AD0801**

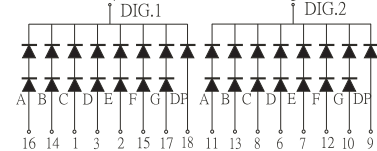


Notes: 1. All dimensions are in millimeter (inches), tolerance is 0.25 unless otherwise noted.  
2. Specifications are subject to change without notice.

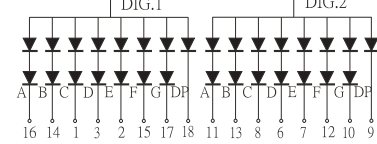
**A/C D1001**



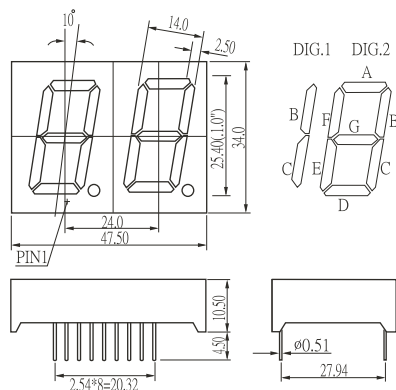
**CD1001**



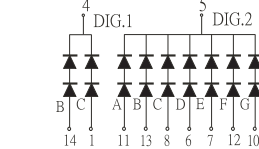
**AD1001**



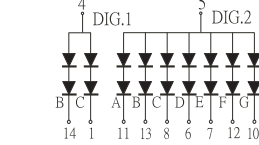
**A/C D1002**



**CD1002**

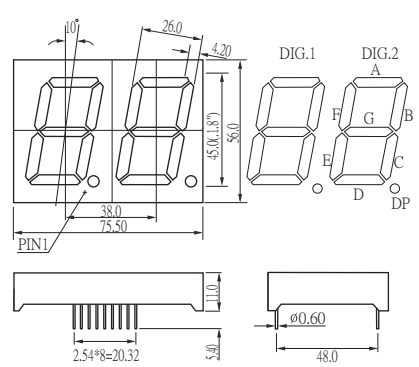


**AD1002**

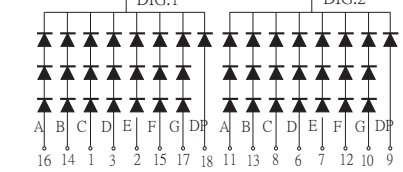


2,3,9,15,16,17,18 NO PIN

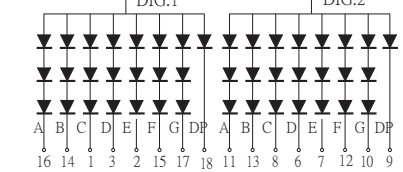
**A/C D1801**



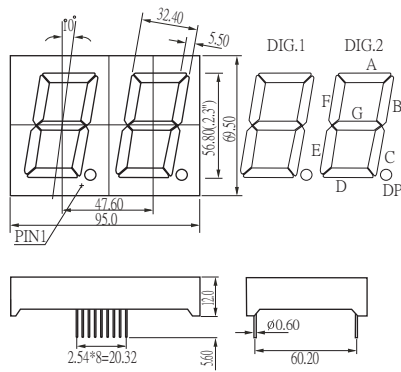
**CD1801**



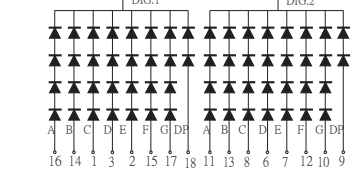
**AD1801**



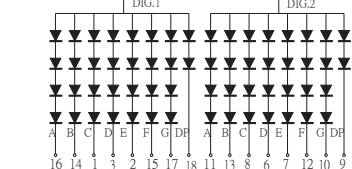
**A/C D2301**



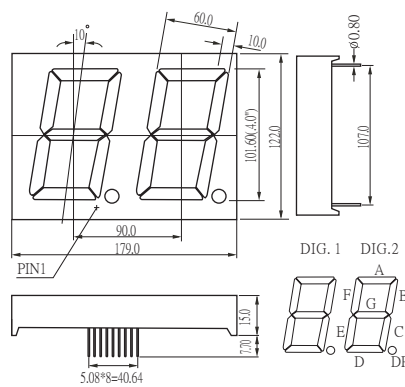
**CD2301**



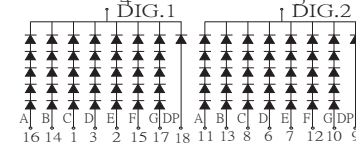
**AD2301**



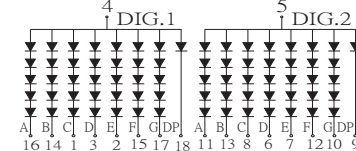
**A/C D4001**



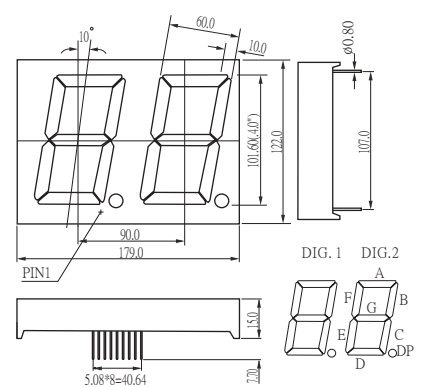
**CD4001**



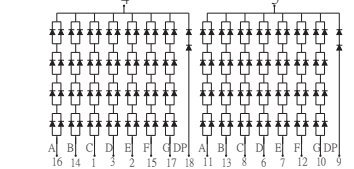
**AD4001**



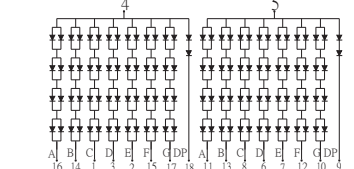
**A/C D4002**



**CD4002**

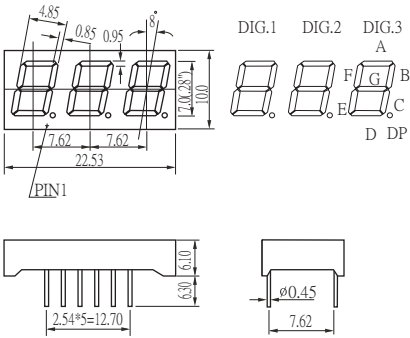


**AD4002**

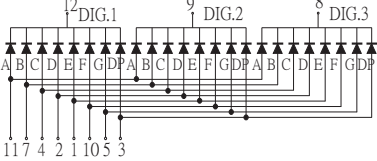


Notes: 1. All dimensions are in millimeter (inches), tolerance is 0.25 unless otherwise noted.  
2. Specifications are subject to change without notice.

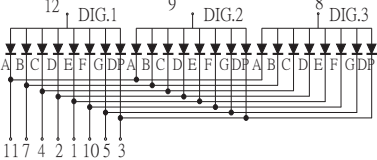
**A/C T0281**



**CT0281**

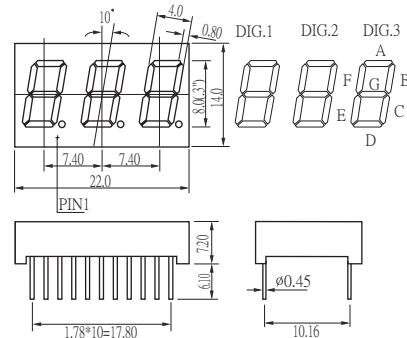


**AT0281**

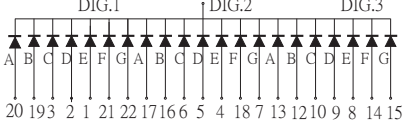


6 NO PIN

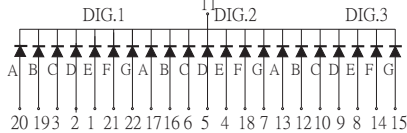
**A/C T0301**



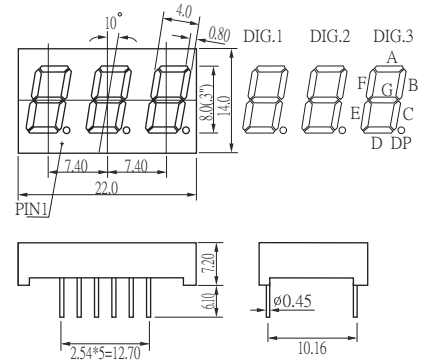
**CT0301**



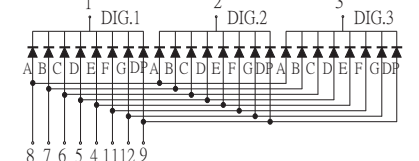
**AT0301**



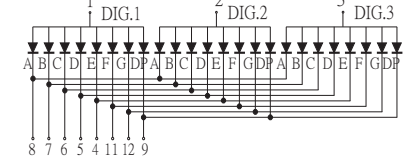
**A/C T0302**



**CT0302**

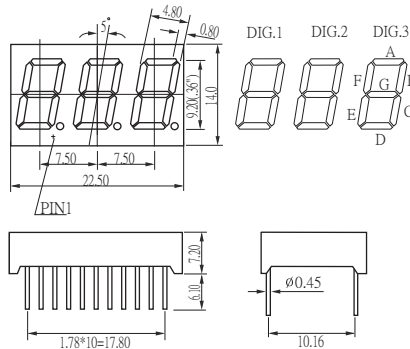


**AT0302**

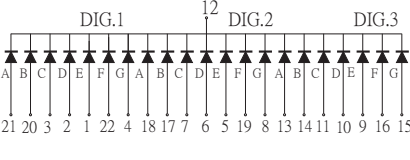


10 NO PIN

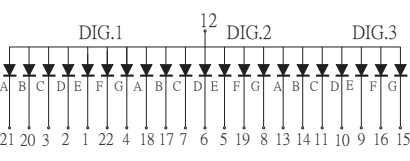
**A/C T0361**



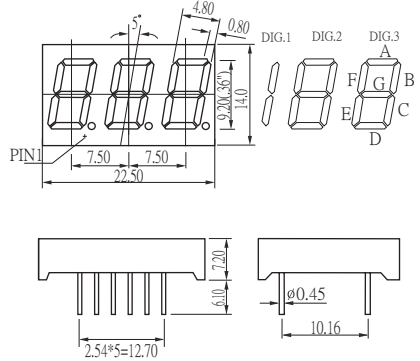
**CT0361**



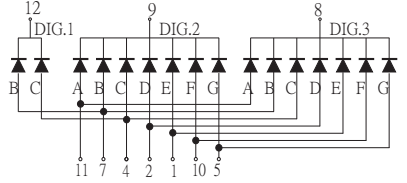
**AT0361**



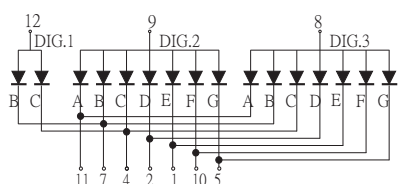
**A/C T0362**



**CT0362**

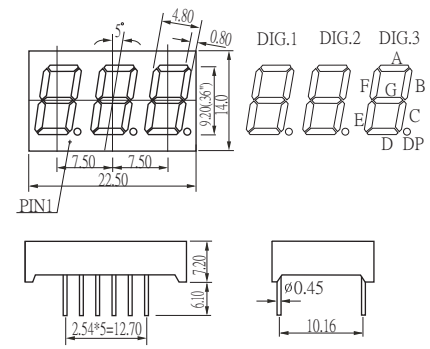


**AT0362**

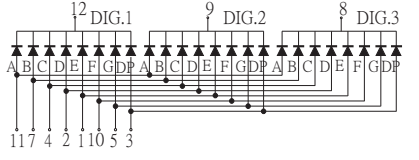


3,6 NO PIN

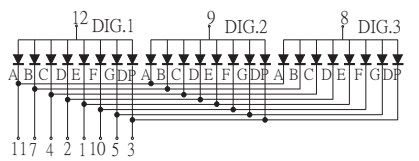
**A/C T0363**



**CT0363**



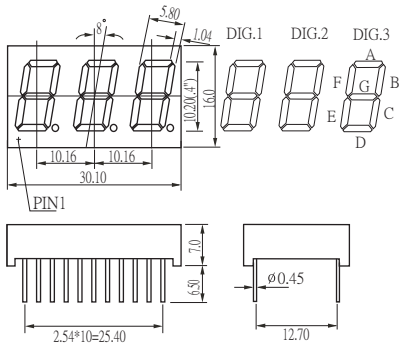
**AT0363**



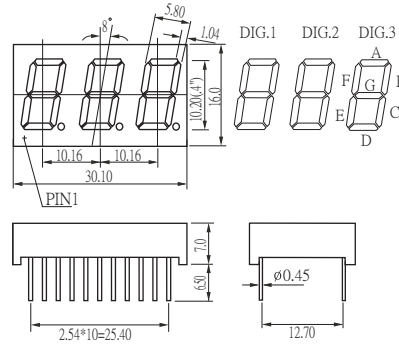
6 NO PIN

Notes: 1. All dimensions are in millimeter (inches), tolerance is 0.25 unless otherwise noted.  
2. Specifications are subject to change without notice.

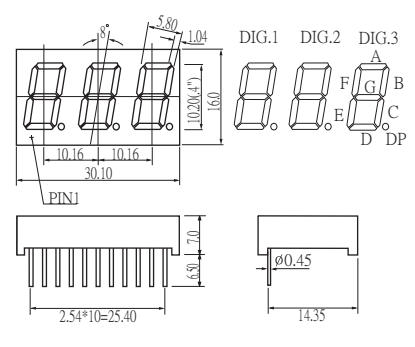
**A/C T0401**



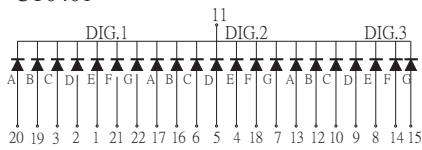
**A/C T0402**



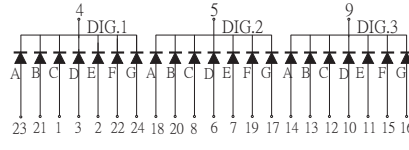
**A/C T0403**



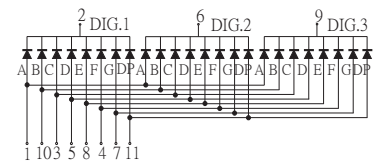
**CT0401**



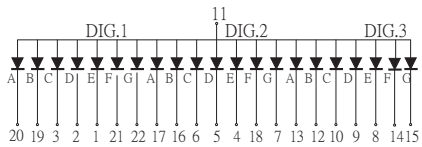
**CT0402**



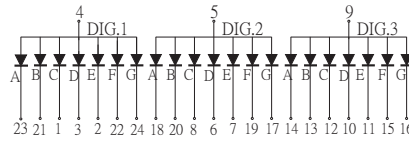
**CT0403**



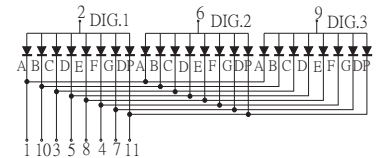
**AT0401**



**AT0402**

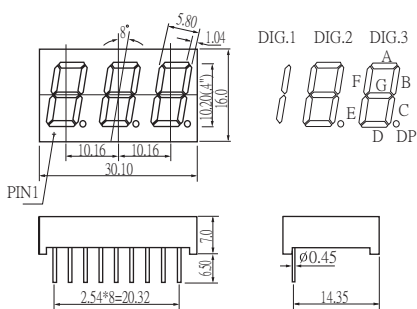


**AT0403**

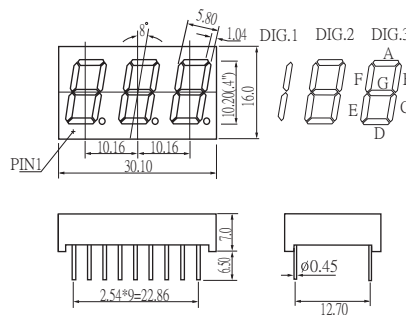


6 NO PIN

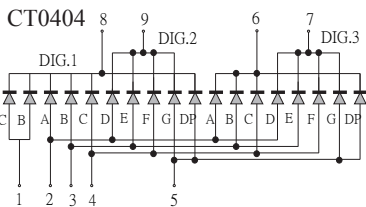
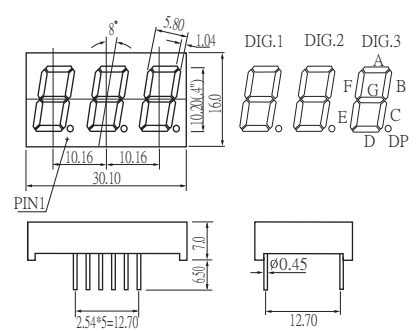
**A/C T0404**



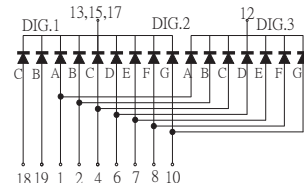
**A/C T0405**



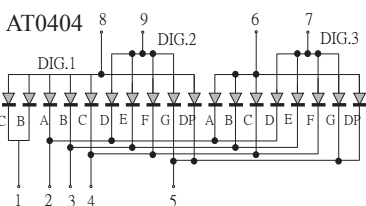
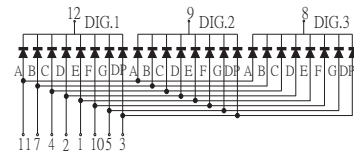
**A/C T0406**



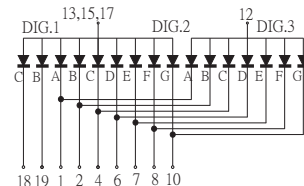
**CT0405**



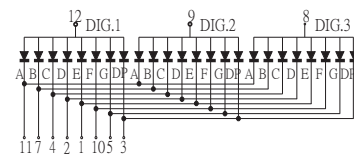
**CT0406**



**AT0405**



**AT0406**

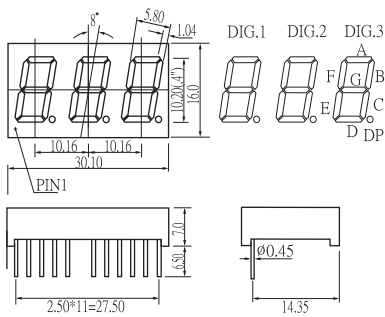


3,5,9,11,14,16,20,NO PIN

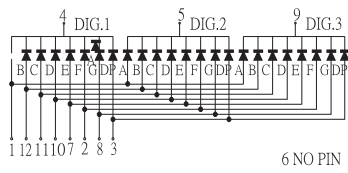
6,NO PIN

Notes: 1. All dimensions are in millimeter (inches), tolerance is 0.25 unless otherwise noted.  
2. Specifications are subject to change without notice.

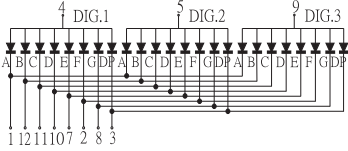
**A/C T0407**



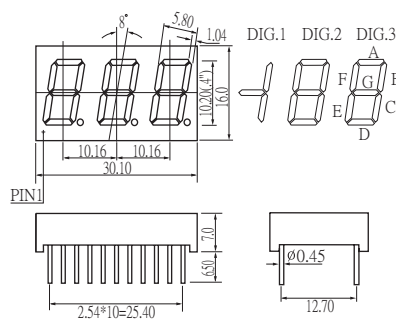
**CT0407**



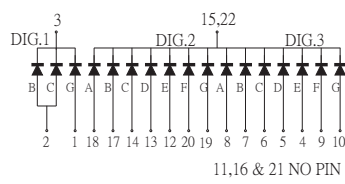
**AT0407**



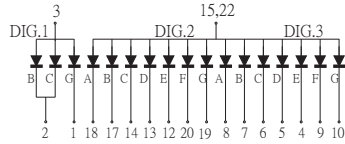
**A/C T0408**



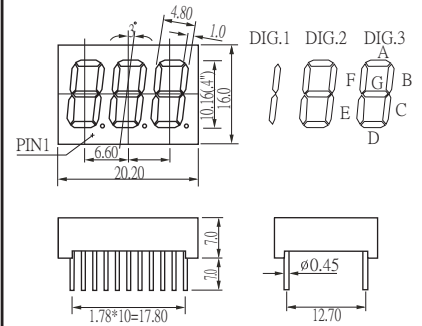
**CT0408**



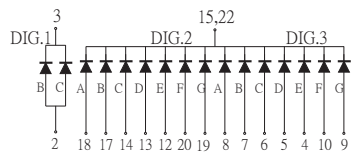
**AT0408**



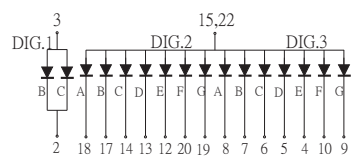
**A/C T0409**



**CT0409**

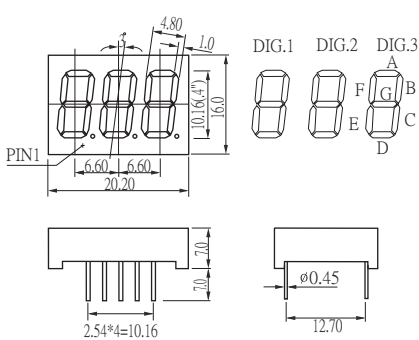


**AT0409**

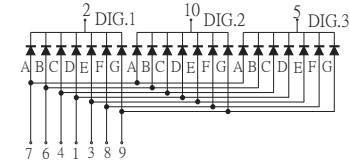


1,11,16,21 NO PIN

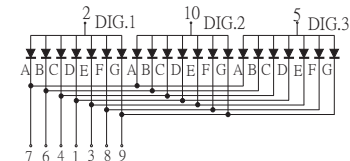
**A/C T04010**



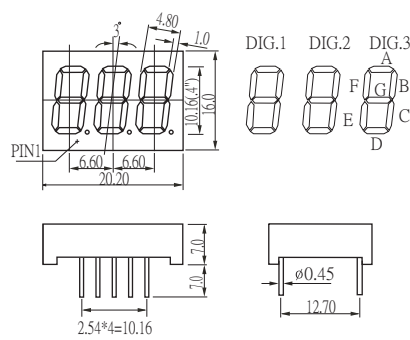
**CT04010**



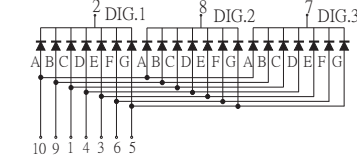
**AT04010**



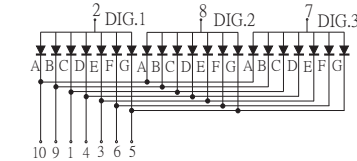
**A/C T04011**



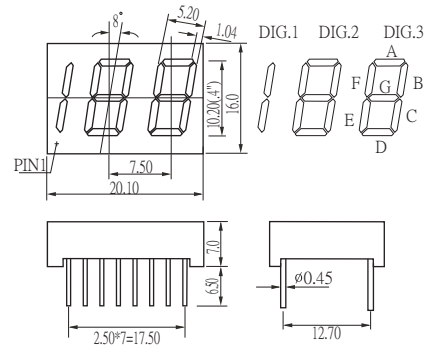
**CT04011**



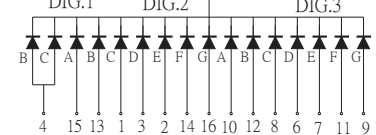
**AT04011**



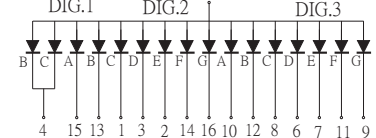
**A/C T04012**



**CT04012**

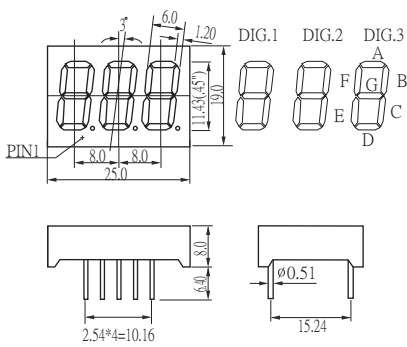


**AT04012**

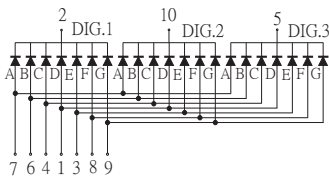


Notes: 1. All dimensions are in millimeter (inches), tolerance is 0.25 unless otherwise noted.  
2. Specifications are subject to change without notice.

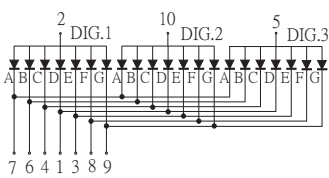
**A/C T0451**



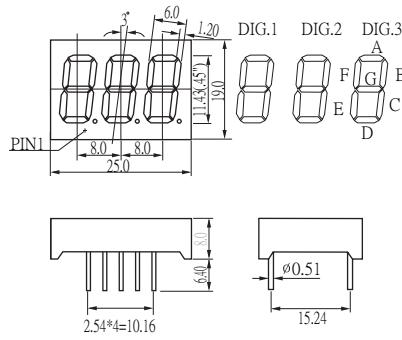
**CT0451**



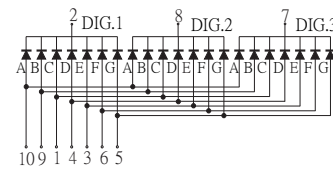
**AT0451**



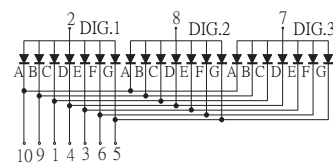
**A/C T0452**



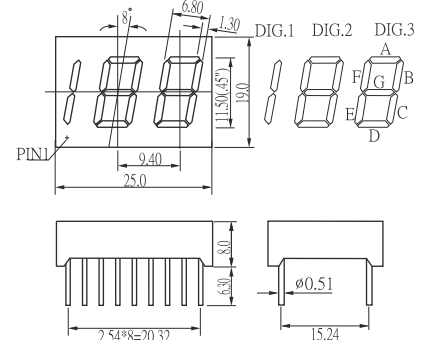
**CT0452**



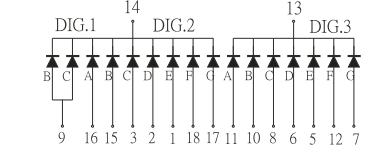
**AT0452**



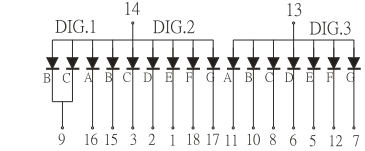
**A/C T0453**



**CT0453**

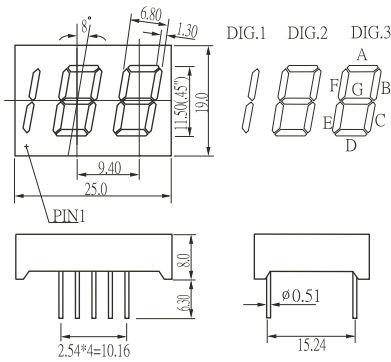


**AT0453**

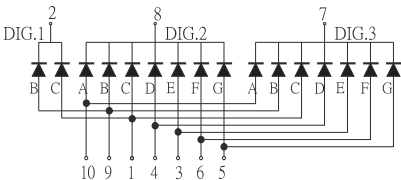


4 NO PIN

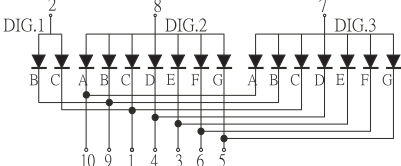
**A/C T0454**



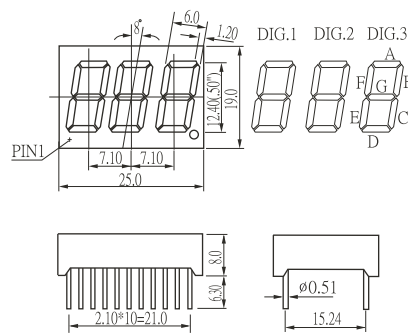
**CT0454**



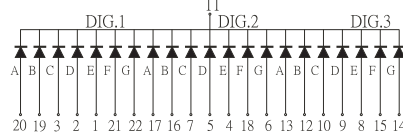
**AT0454**



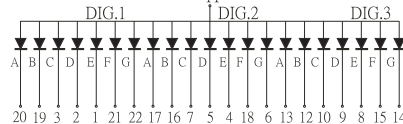
**A/C T0501**



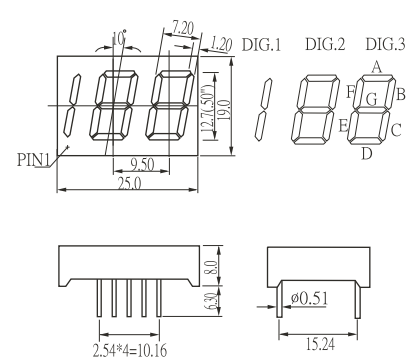
**CT0501**



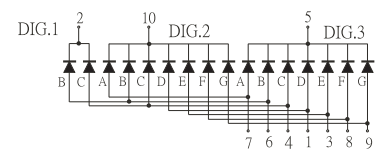
**AT0501**



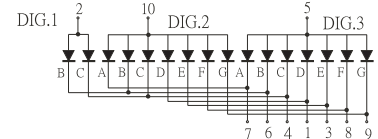
**A/C T0502**



**CT0502**

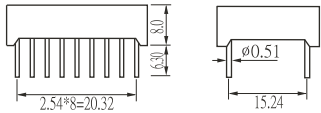
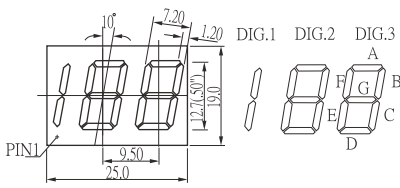


**AT0502**

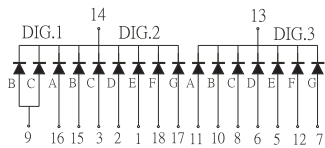


Notes: 1. All dimensions are in millimeter (inches), tolerance is 0.25 unless otherwise noted.  
2. Specifications are subject to change without notice.

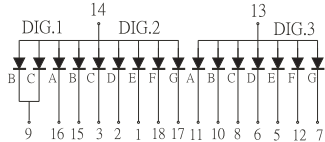
**A/C T0503**



**CT0503**

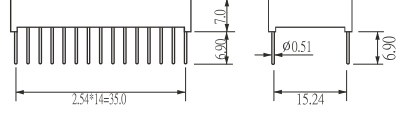
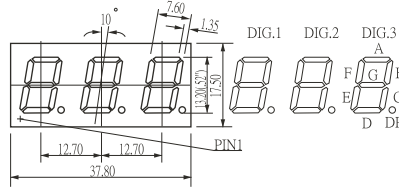


**AT0503**

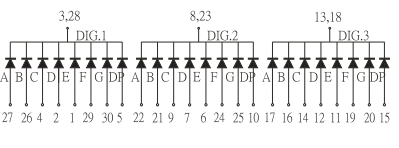


4 NO PIN

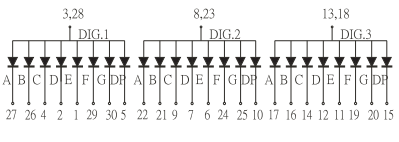
**A/C T0521**



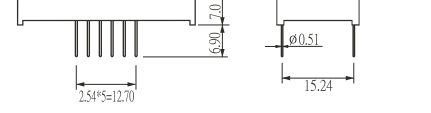
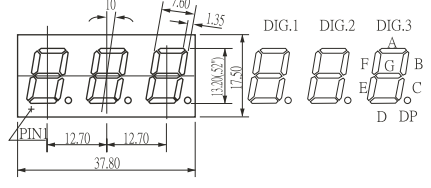
**CT0521**



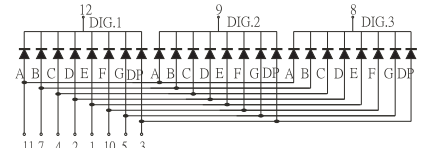
**AT0521**



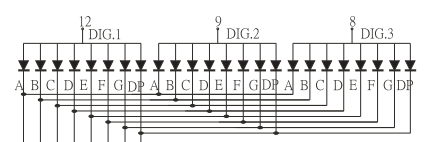
**A/C T0522**



**CT0522**

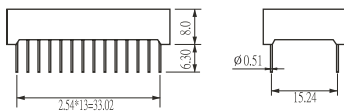
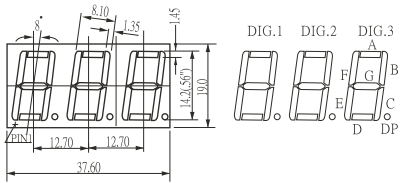


**AT0522**

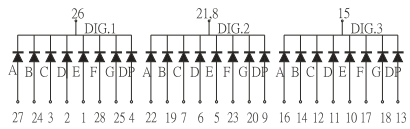


6 NO PIN

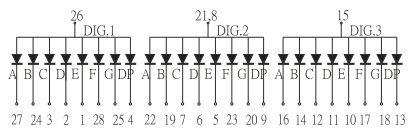
**A/C T0561**



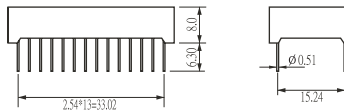
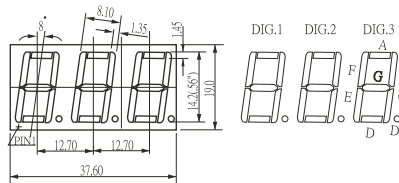
**CT0561**



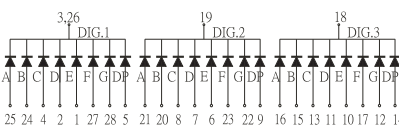
**AT0561**



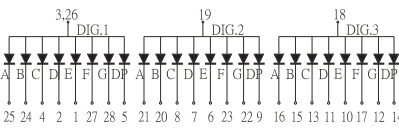
**A/C T0562**



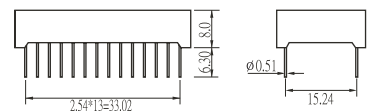
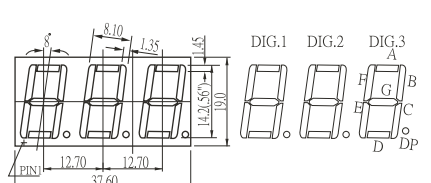
**CT0562**



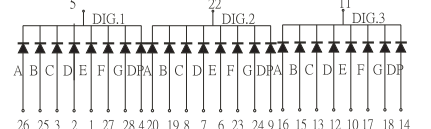
**AT0562**



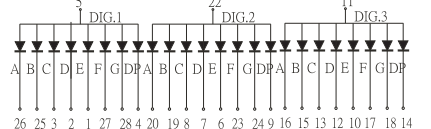
**A/C T0563**



**CT0563**



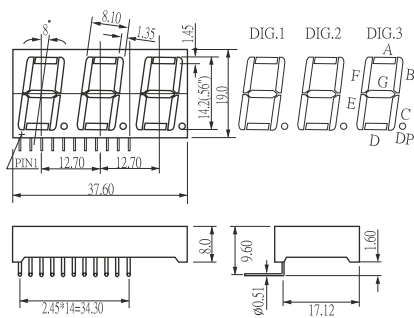
**AT0563**



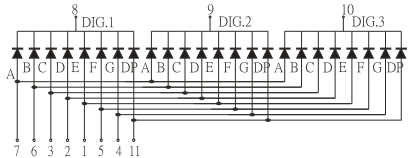
21 NO PIN

Notes: 1. All dimensions are in millimeter (inches), tolerance is 0.25 unless otherwise noted.  
2. Specifications are subject to change without notice.

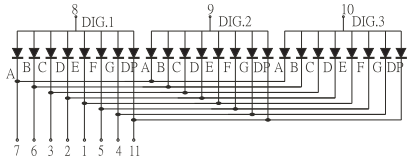
**A/C T0564**



**CT0564**

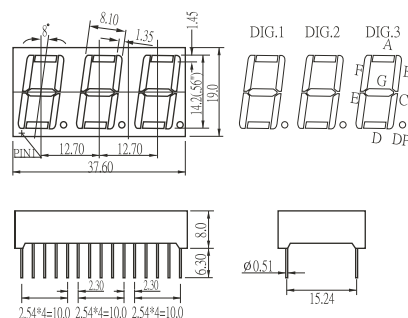


**AT0564**

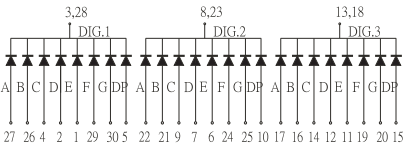


12,13,14 NO PIN

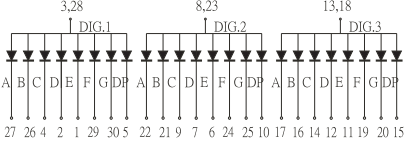
**A/C T0565**



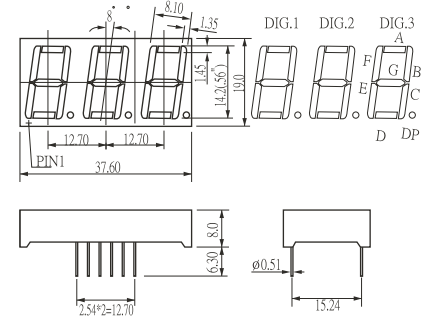
**CT0565**



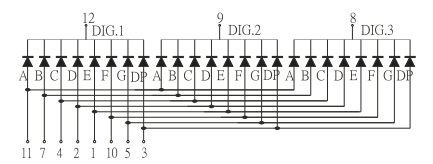
**AT0565**



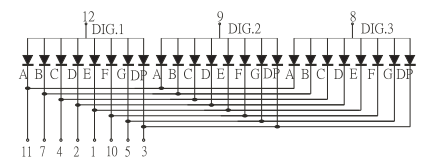
**A/C T0566**



**CT0566**

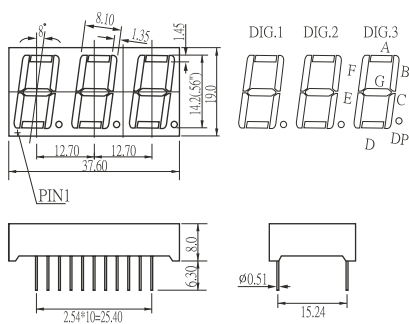


**AT0566**

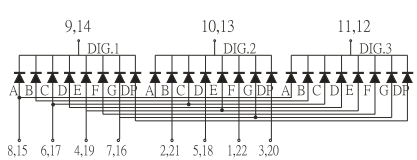


6 NO PIN

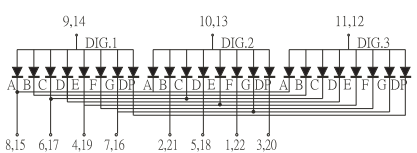
**A/C T0567**



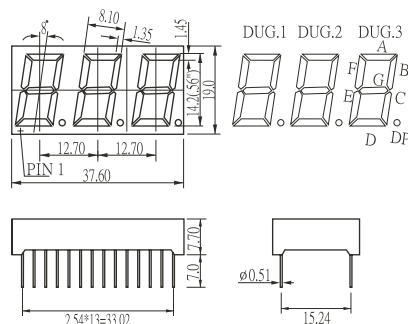
**CT0567**



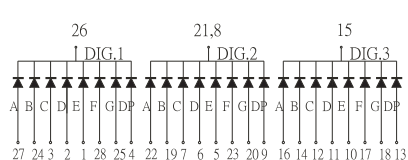
**AT0567**



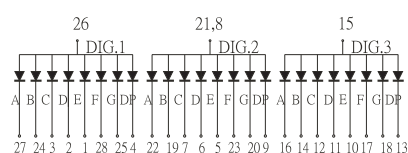
**A/C T0568**



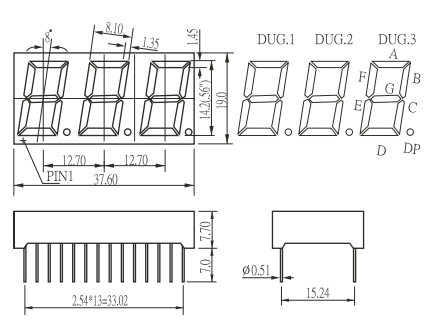
**CT0568**



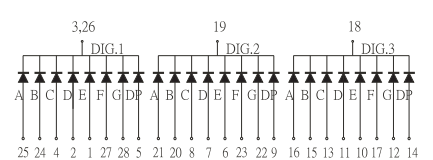
**AT0568**



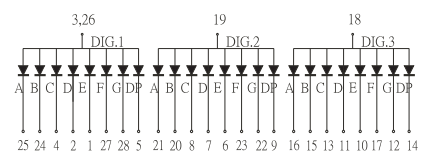
**A/C T0569**



**CT0569**

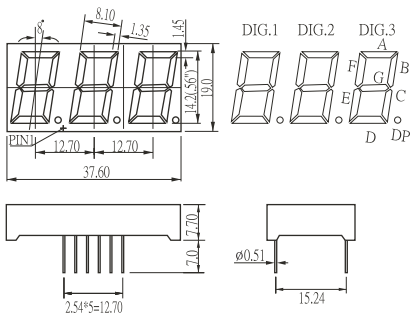


**AT0569**

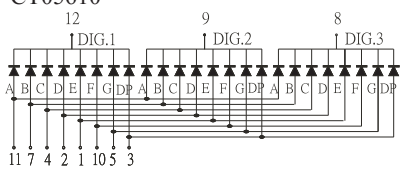


Notes: 1. All dimensions are in millimeter (inches), tolerance is 0.25 unless otherwise noted.  
2. Specifications are subject to change without notice.

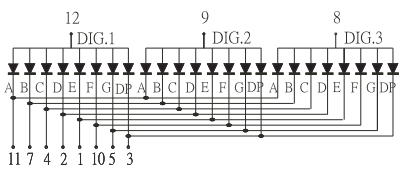
**A/C T05610**



**CT05610**

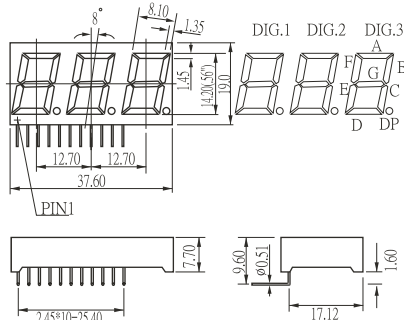


**AT05610**

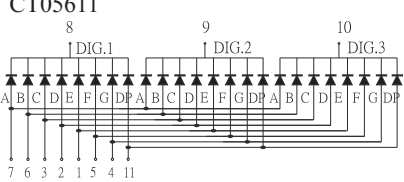


6 NO PIN

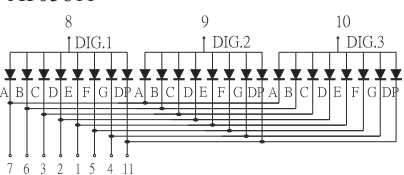
**A/C T05611**



**CT05611**

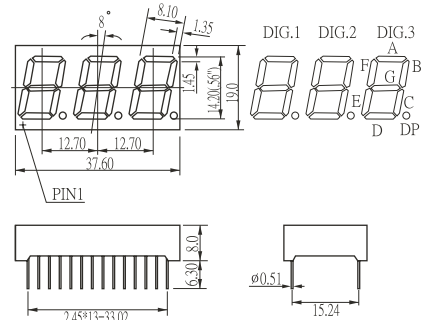


**AT05611**

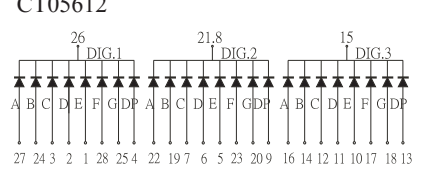


12,13,14 NO PIN

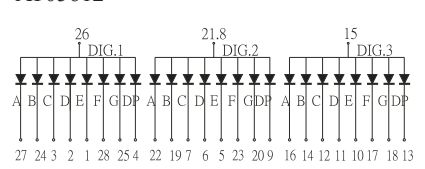
**A/C T05612**



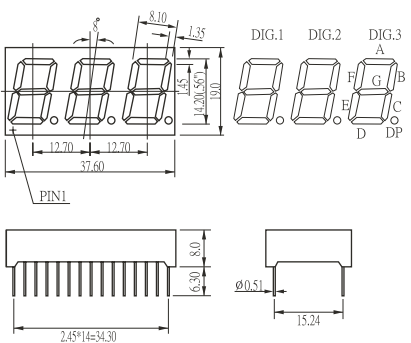
**CT05612**



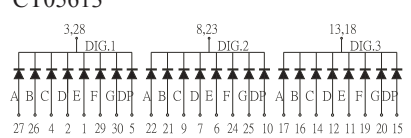
**AT05612**



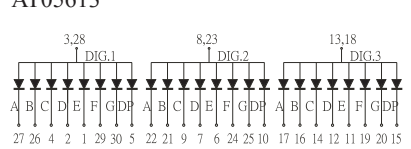
**A/C T05613**



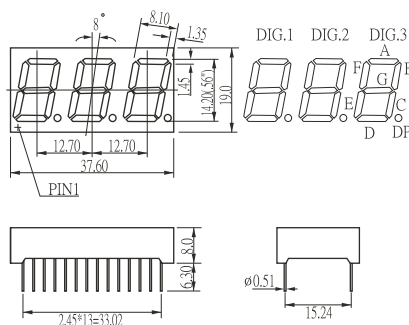
**CT05613**



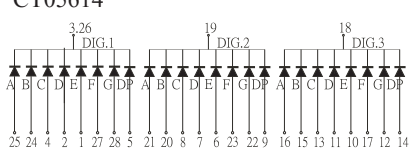
**AT05613**



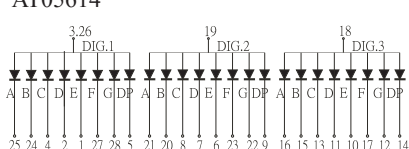
**A/C T05614**



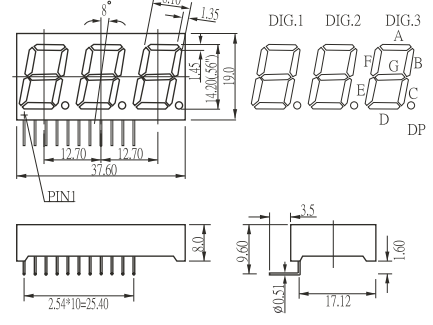
**CT05614**



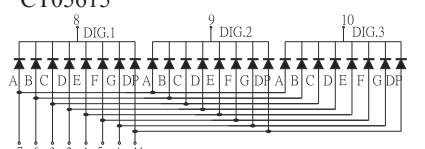
**AT05614**



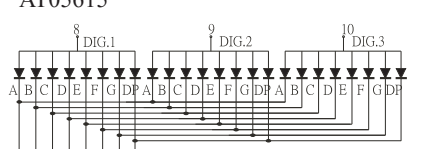
**A/C T05615**



**CT05615**



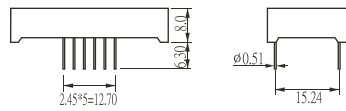
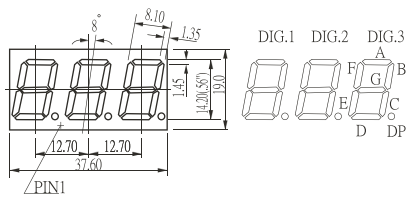
**AT05615**



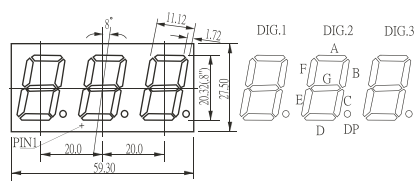
12,13,14 NO PIN

Notes: 1. All dimensions are in millimeter (inches), tolerance is 0.25 unless otherwise noted.  
2. Specifications are subject to change without notice.

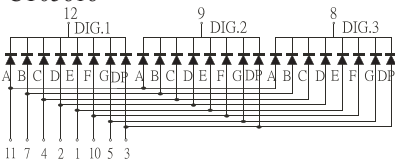
**A/C T05616**



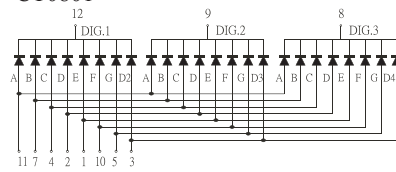
**A/C T0801**



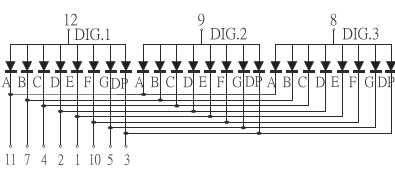
**CT05616**



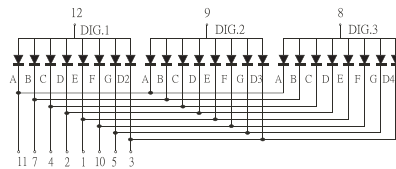
**CT0801**



**AT05616**

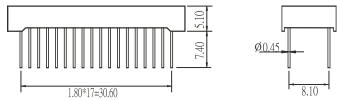
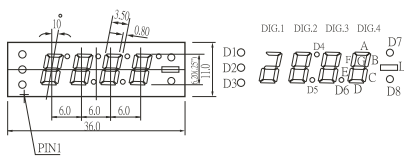


**AT0801**

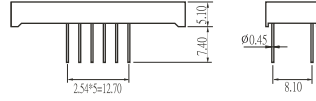
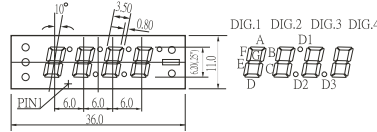


6 NO PIN

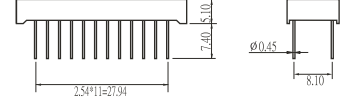
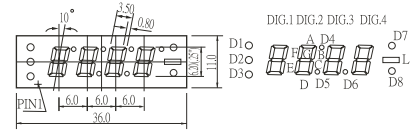
**A/C F0251**



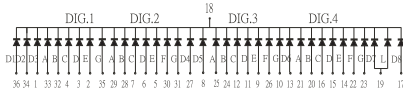
**A/C F0252**



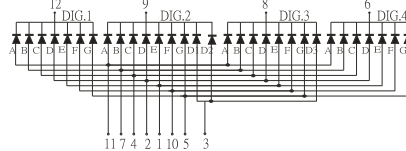
**A/C F0253**



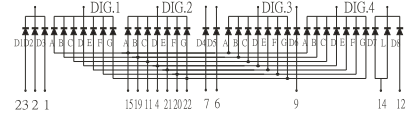
**CF0251**



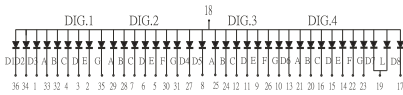
**CF0252**



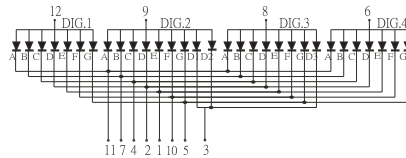
**CF0253**



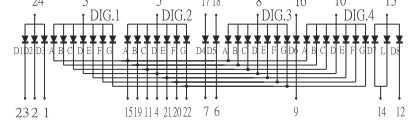
**AF0251**



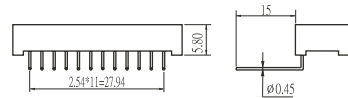
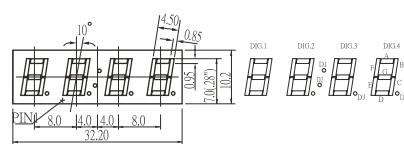
**AF0252**



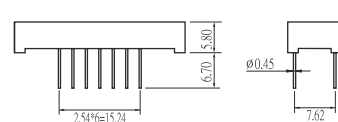
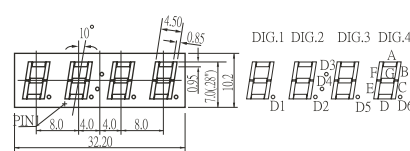
**AF0253**



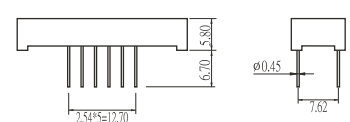
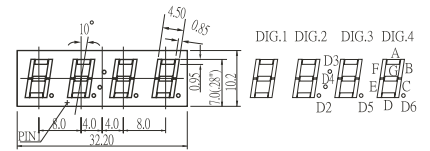
**A/C F0281**



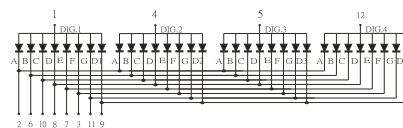
**A/C F0282**



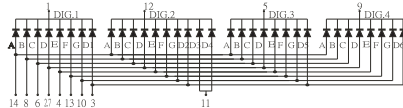
**A/C F0283**



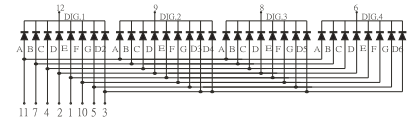
**CF0281**



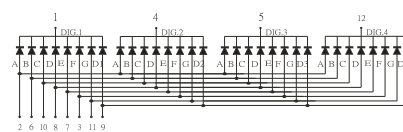
**CF0282**



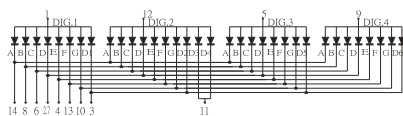
**CODE K**



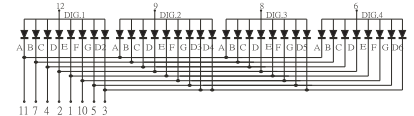
**AF0281**



**AF0282**

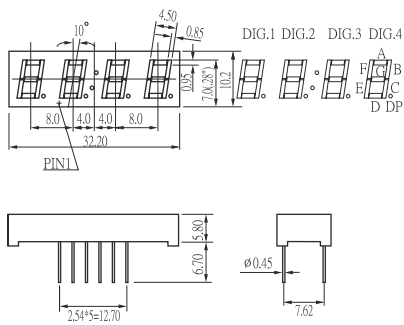


**CODE H**

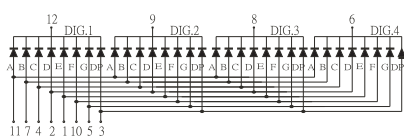


Notes: 1. All dimensions are in millimeter (inches), tolerance is 0.25 unless otherwise noted.  
2. Specifications are subject to change without notice.

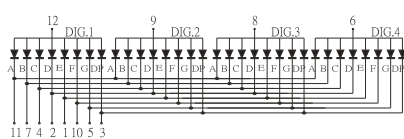
**A/C F0284**



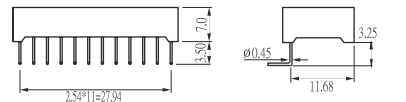
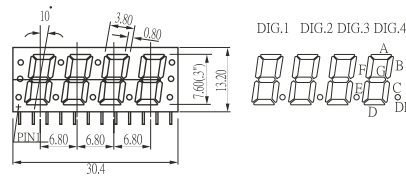
**CF0284**



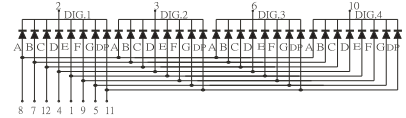
**AF0284**



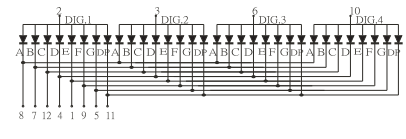
**A/C F0301**



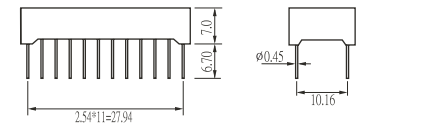
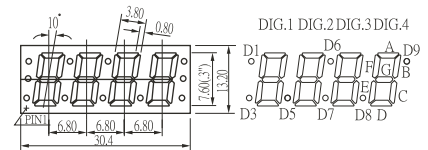
**CF0301**



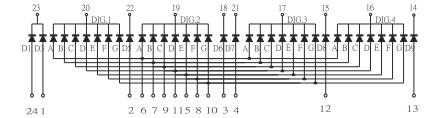
**AF0301**



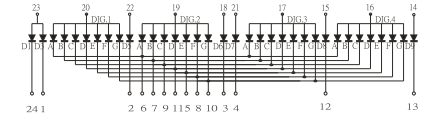
**A/C F0302**



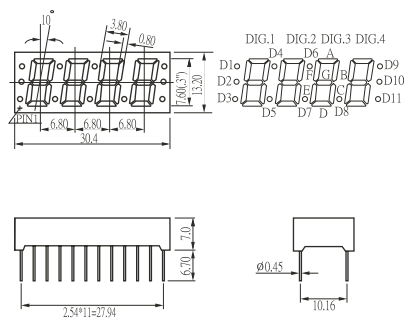
**CF0302**



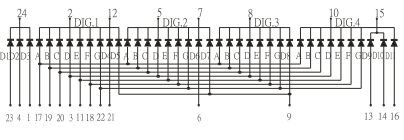
**AF0302**



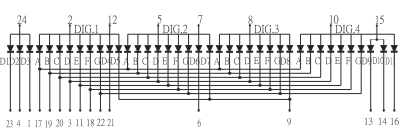
**A/C F0303**



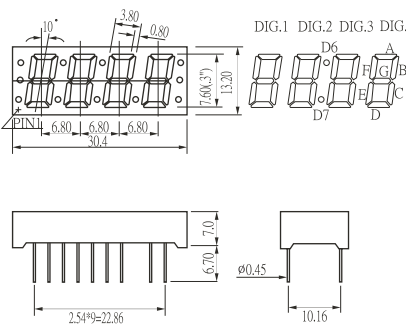
**CF0303**



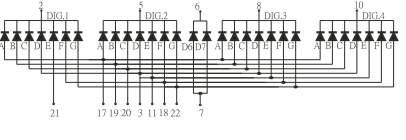
**AF0303**



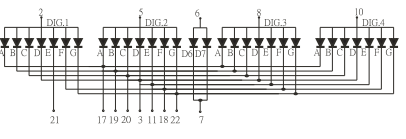
**A/C F0304**



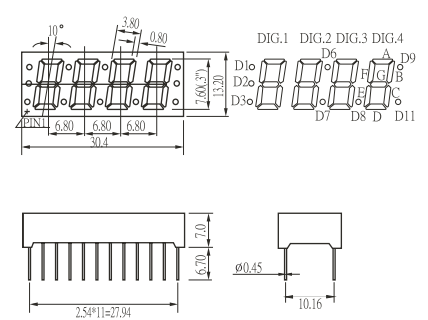
**CF0304**



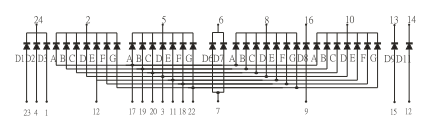
**AF0304**



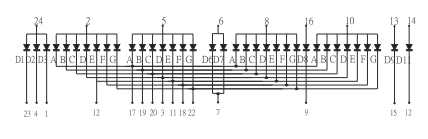
**A/C F0305**



**CF0305**



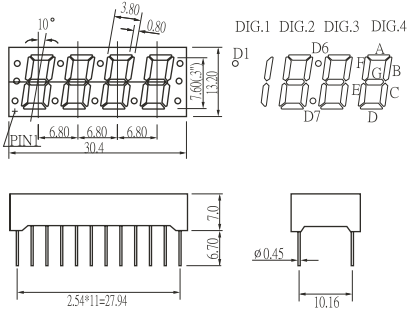
**AF0305**



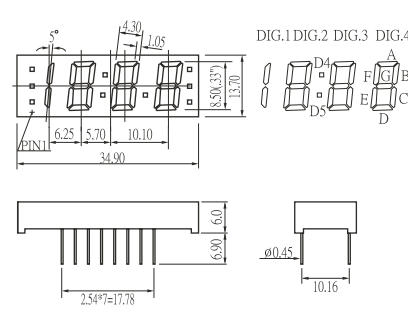
1,4,9,12,13,14,15,16,23,24, NO PIN

Notes: 1. All dimensions are in millimeter (inches), tolerance is 0.25 unless otherwise noted.  
2. Specifications are subject to change without notice.

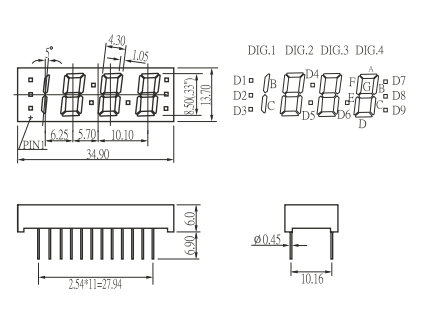
**A/C F0306**



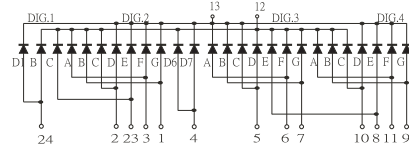
**A/C F0331**



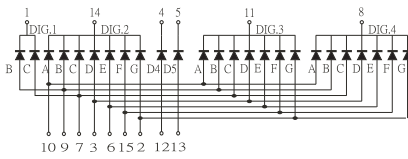
**A/C F0332**



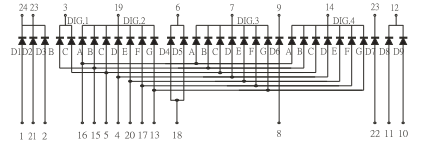
**CF0306**



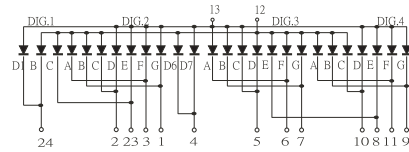
**CF0331**



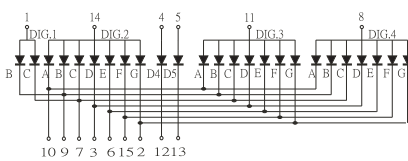
**CF0332**



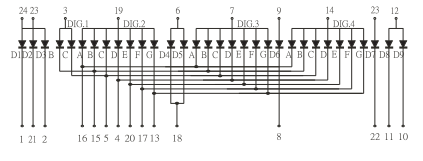
**AF0306**



**AF0331**



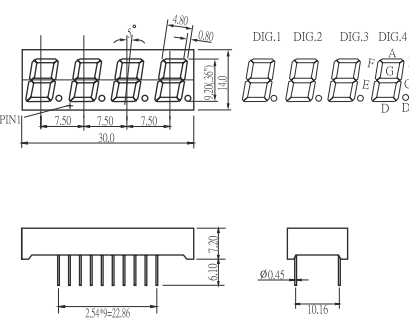
**AF0332**



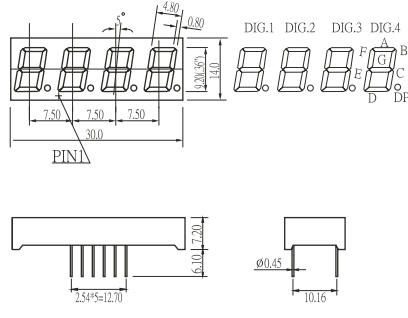
14,15,16,17,18,19,20,21,22 NO PIN

16 NO PIN

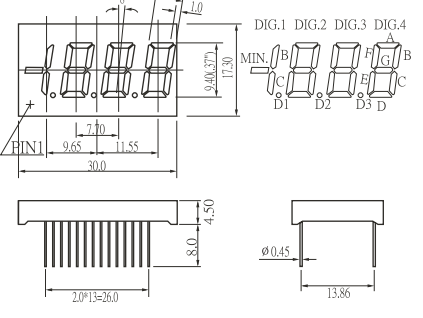
**A/C F0361**



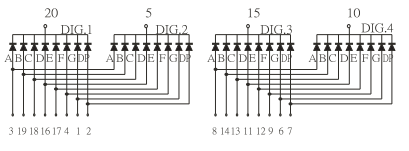
**A/C F0362**



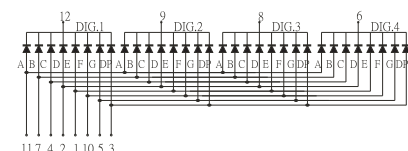
**A/C F0363**



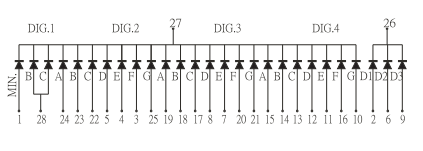
**CF0361**



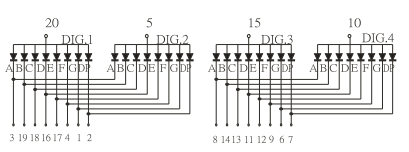
**CF0362**



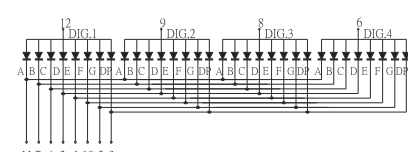
**CF0363**



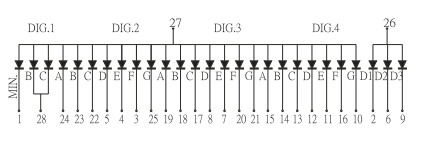
**AF0361**



**AF0362**

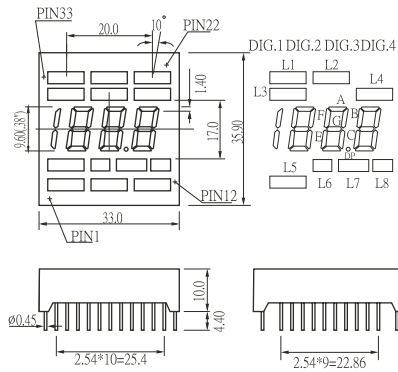


**AF0363**

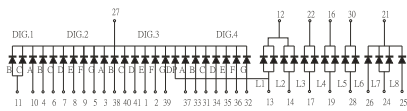


Notes: 1. All dimensions are in millimeter (inches), tolerance is 0.25 unless otherwise noted.  
2. Specifications are subject to change without notice.

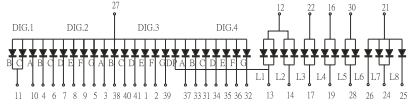
**A/C F0381**



**CF0381**

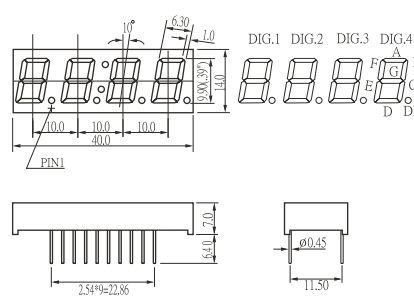


**AF0381**

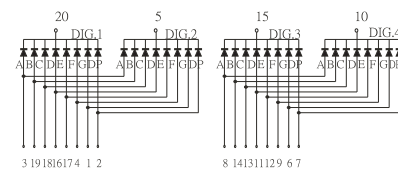


15,18,20,23,29,42 NO PIN

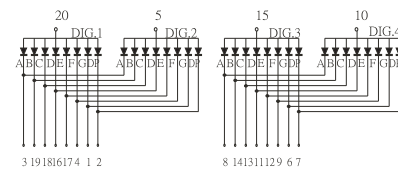
**A/C F0391**



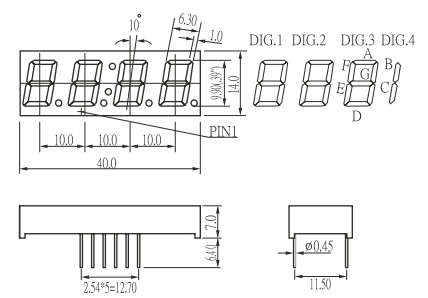
**CF0391**



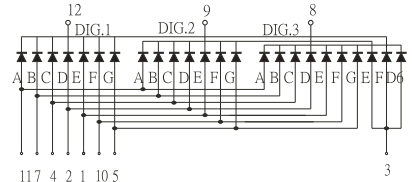
**AF0391**



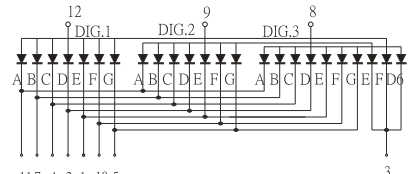
**A/C F0392**



**CF0392**

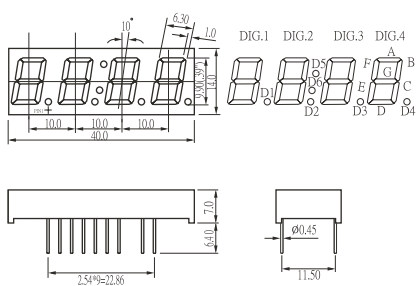


**AF0392**

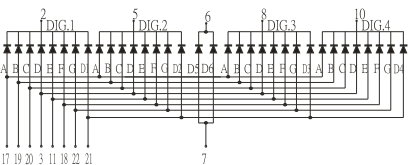


6 NO PIN

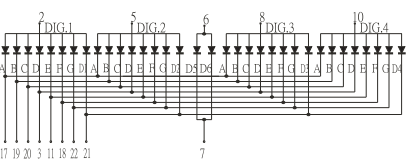
**A/C F0393**



**CF0393**

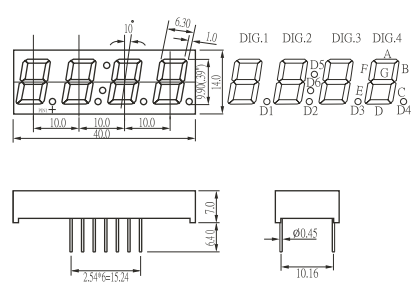


**AF0393**

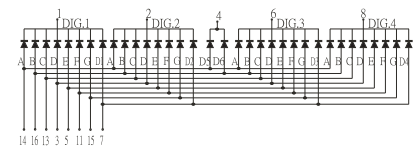


1,4,9,12,13,14,15,16,23,24, NO PIN

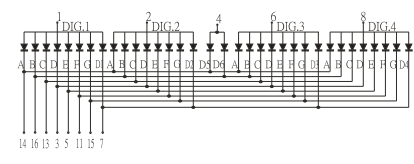
**A/C F0394**



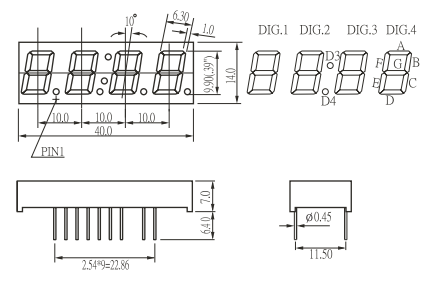
**CF0394**



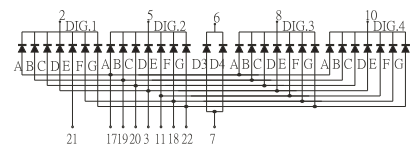
**AF0394**



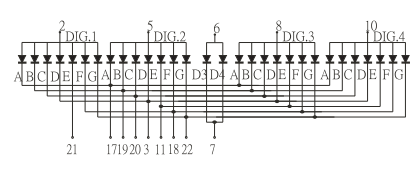
**A/C F0395**



**CF0395**



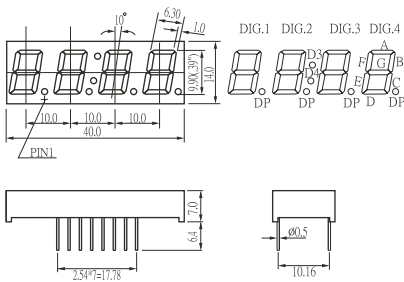
**AF0395**



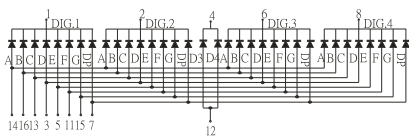
1,4,9,12,13,14,15,16,23,24, NO PIN

Notes: 1. All dimensions are in millimeter (inches), tolerance is 0.25 unless otherwise noted.  
2. Specifications are subject to change without notice.

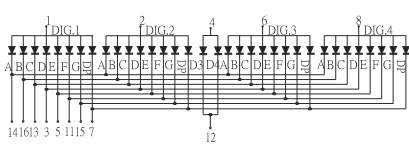
**A/C F0396**



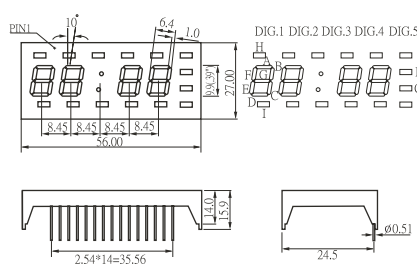
**CF0396**



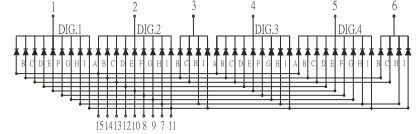
**AF0396**



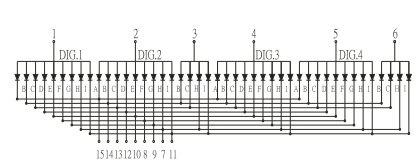
**A/C F0397**



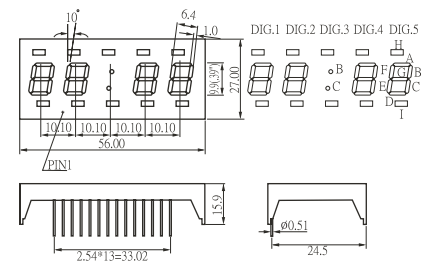
**CF0397**



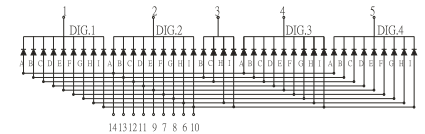
**AF0397**



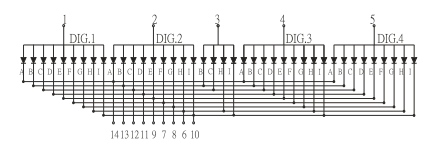
**A/C F0398**



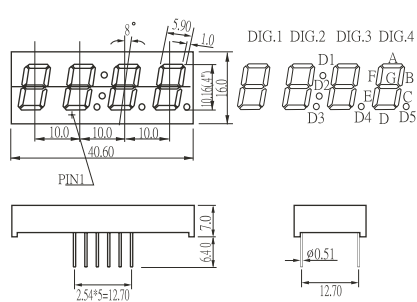
**CF0398**



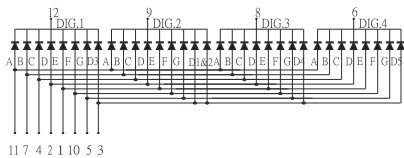
**AF0398**



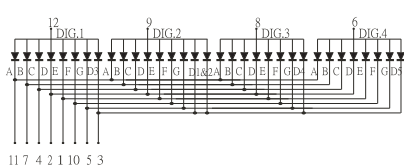
**A/C F0401**



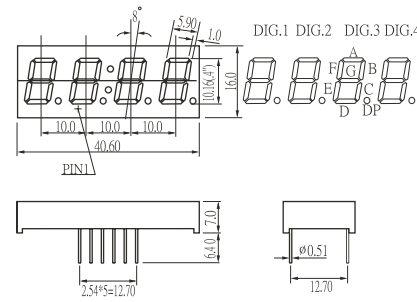
**CF0401**



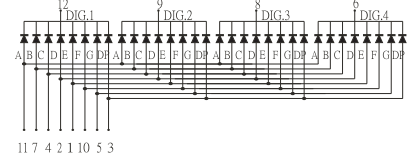
**AF0401**



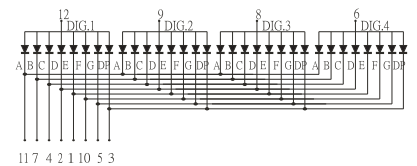
**A/C F0402**



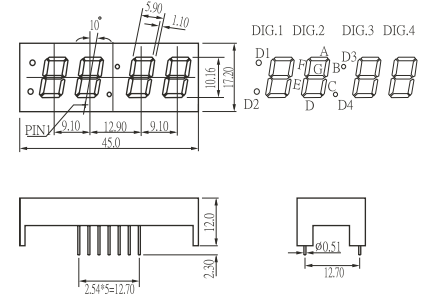
**CF0402**



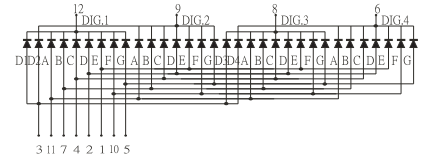
**AF0402**



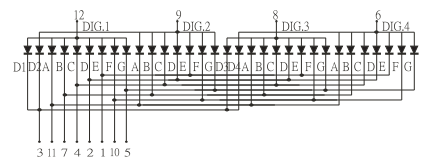
**A/C F0403**



**CF0403**



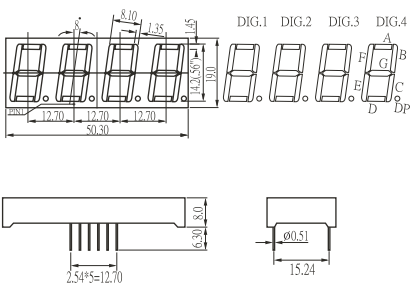
**AF0403**



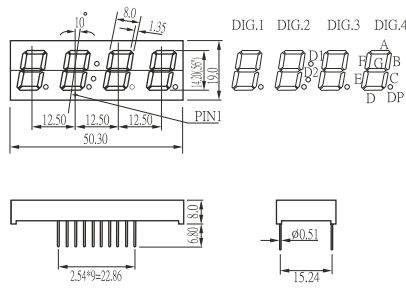
Notes: 1. All dimensions are in millimeter (inches), tolerance is 0.25 unless otherwise noted.  
2. Specifications are subject to change without notice.



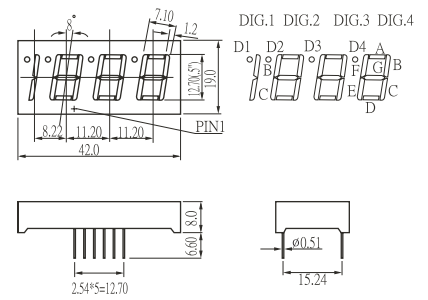
**A/C F0565**



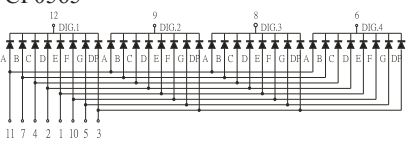
**A/C F0566**



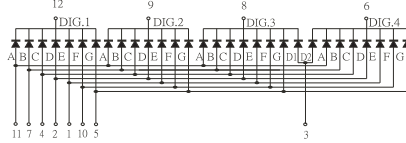
**A/C F0501**



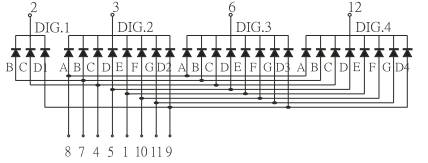
**CF0565**



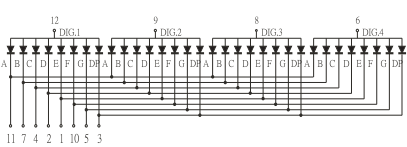
**CF0566**



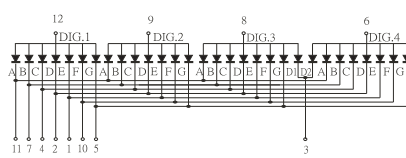
**CF0501**



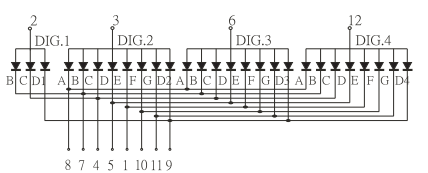
**AF0565**



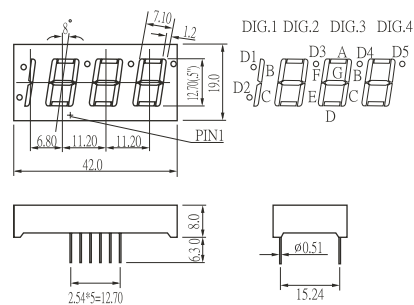
**AF0566**



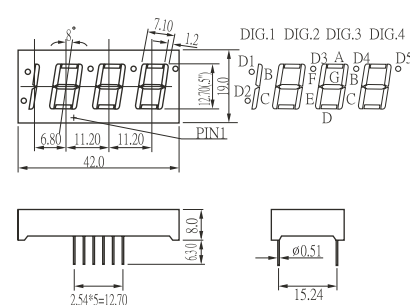
**AF0501**



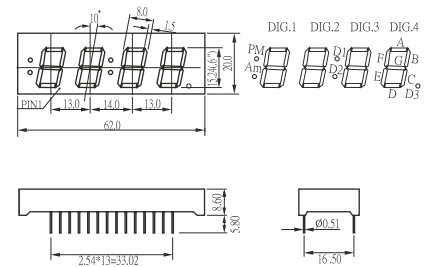
**A/C F0502**



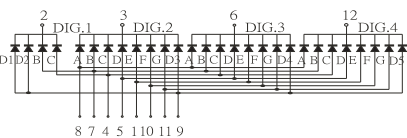
**A/C F0503**



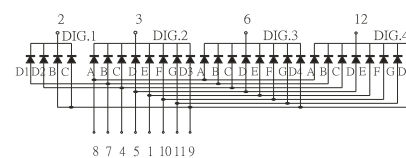
**A/C F0601**



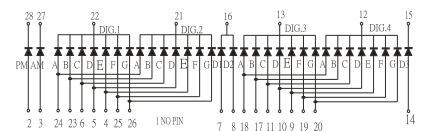
**CF0502**



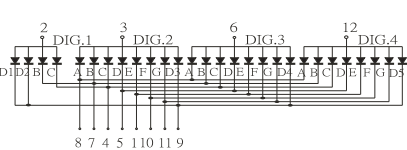
**CF0503**



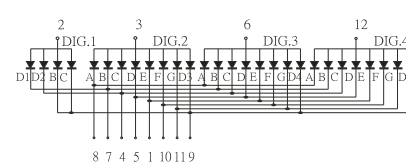
**CF0601**



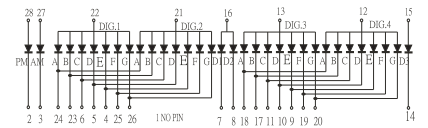
**AF0502**



**AF0503**

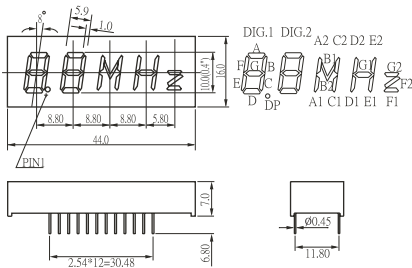


**AF0601**

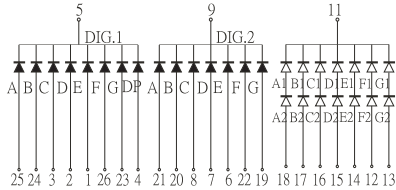


Notes: 1. All dimensions are in millimeter (inches), tolerance is 0.25 unless otherwise noted.  
2. Specifications are subject to change without notice.

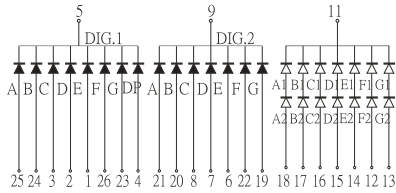
**A/C X0401**



**CX0401**

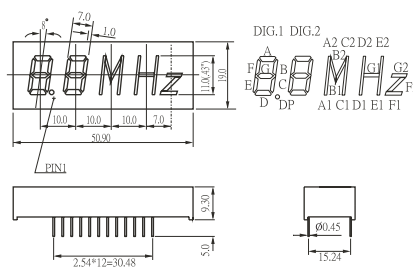


**AX0401**

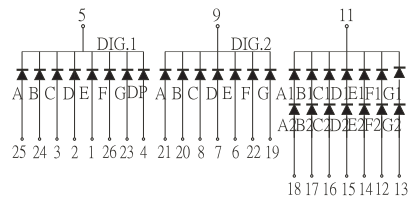


← RED ← GREEN      10 NO PIN

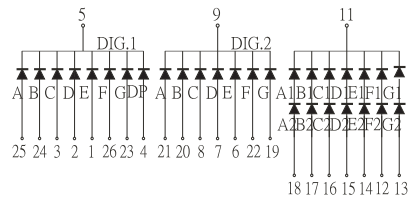
**A/C X431**



**CX0431**

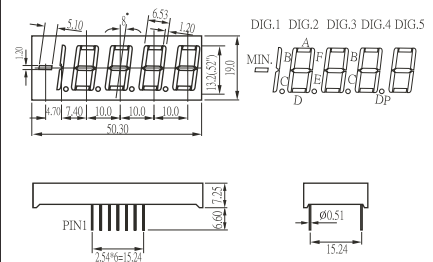


**AX0431**

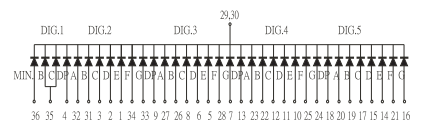


10 NO PIN

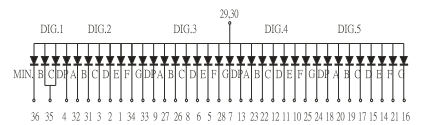
**A/C X0521**



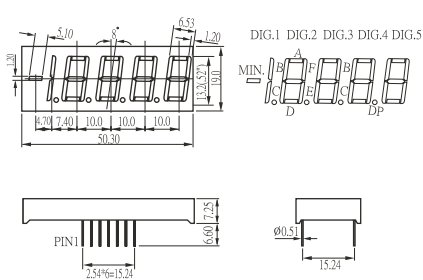
**CX0521**



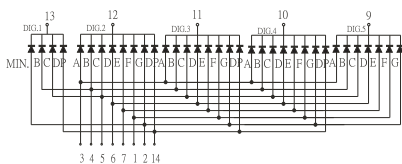
**AX0521**



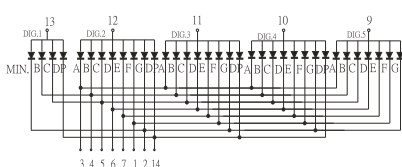
**A/C X0522**



**CX0522**

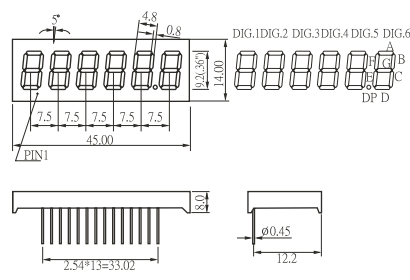


**AX0522**

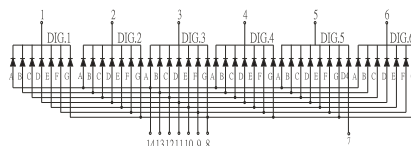


8 NO PIN

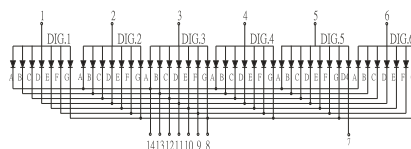
**A/C X0361**



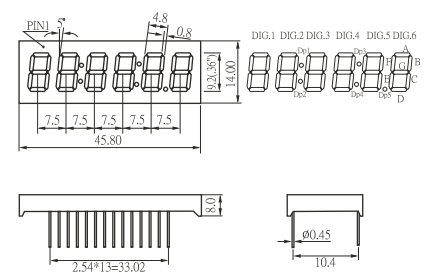
**CX0361**



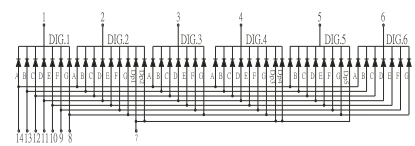
**AX0361**



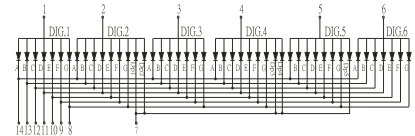
**A/C X0362**



**CX0362**

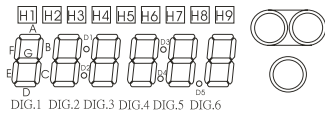
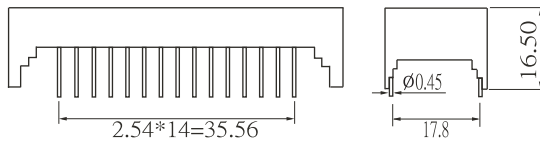
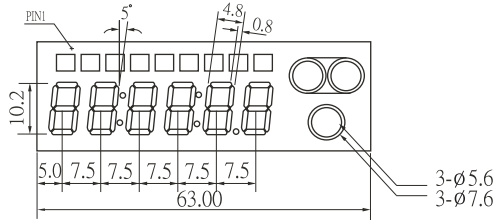


**AX0362**

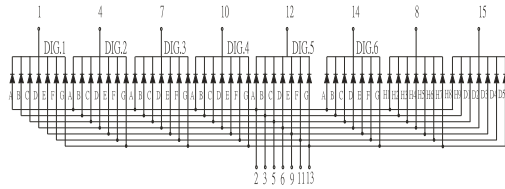


Notes: 1. All dimensions are in millimeter (inches), tolerance is 0.25 unless otherwise noted.  
 2. Specifications are subject to change without notice.

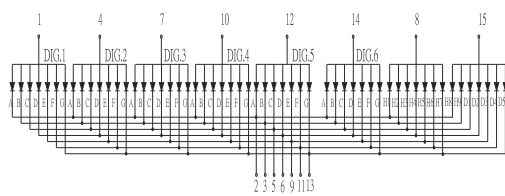
**A/C X402**



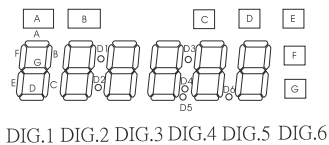
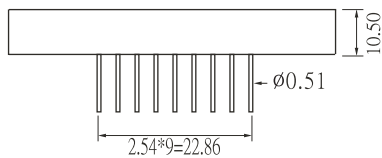
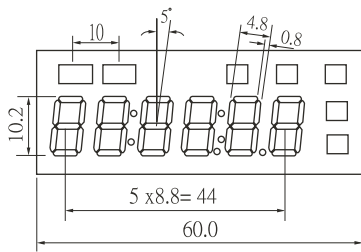
**CX402**



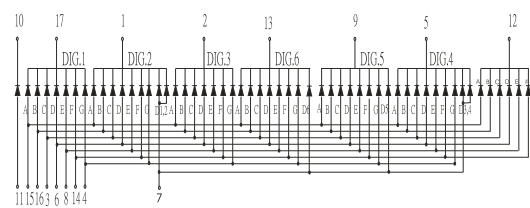
**AX402**



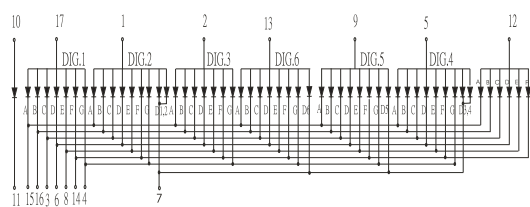
**A/C X403**



**CX403**

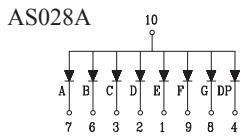
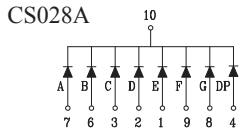
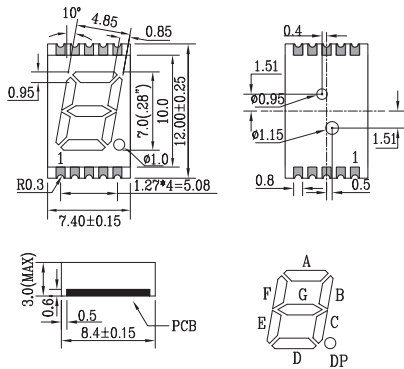


**AX403**



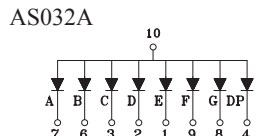
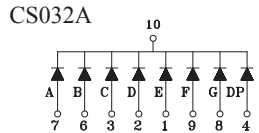
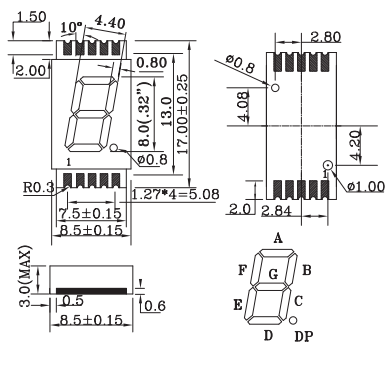
Notes: 1. All dimensions are in millimeter (inches), tolerance is 0.25 unless otherwise noted.  
 2. Specifications are subject to change without notice.

**A/C S028A**



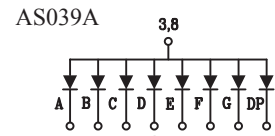
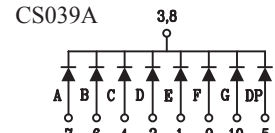
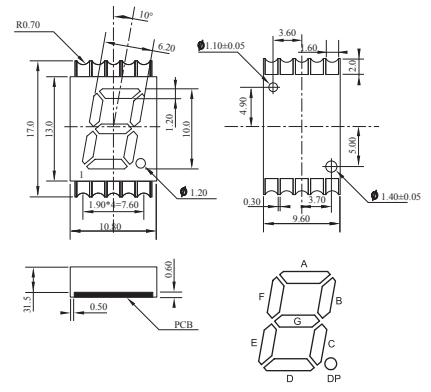
5 NO PIN

**A/C S032A**

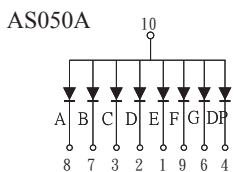
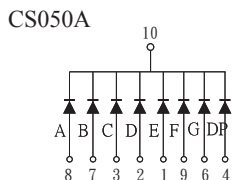
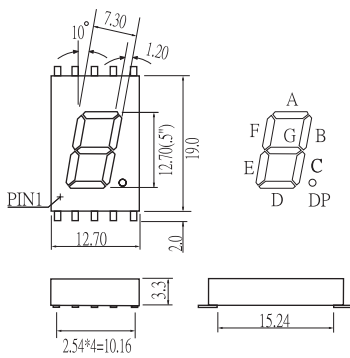


5 NO PIN

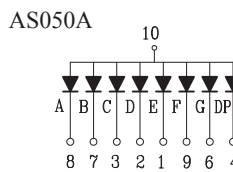
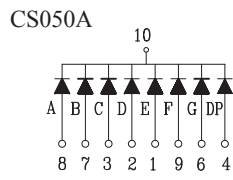
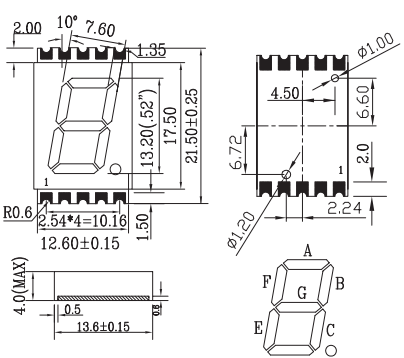
**A/C S039A**



**A/C S050A**

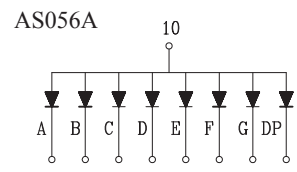
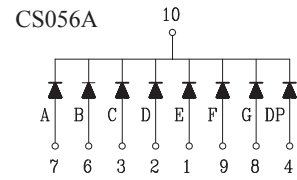
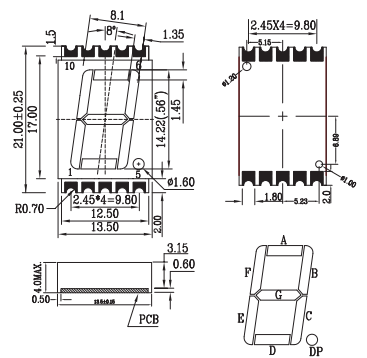


**A/C S052A**



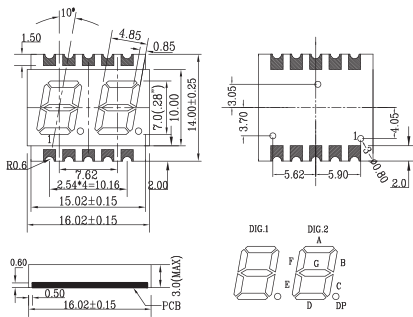
5 NO PIN

**A/C S056A**

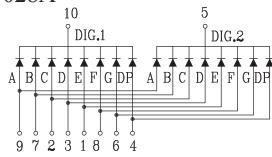


Notes: 1. All dimensions are in millimeter (inches), tolerance is 0.25 unless otherwise noted.  
2. Specifications are subject to change without notice.

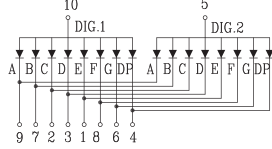
**A/C D028A**



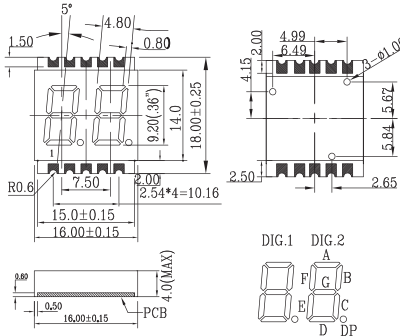
**CD028A**



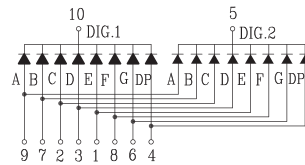
**AD028A**



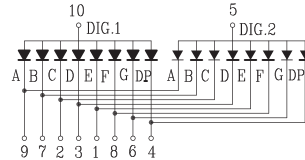
**A/C D036A**



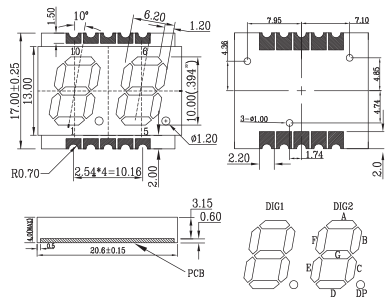
**CD036A**



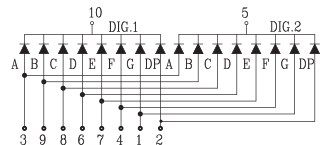
**AD036A**



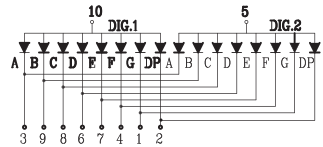
**A/C D039A**



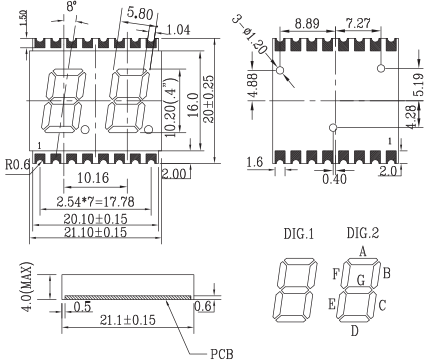
**CD039A**



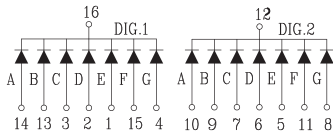
**AD039A**



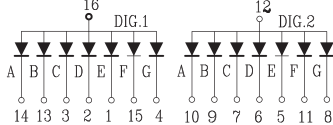
**A/C D040A**



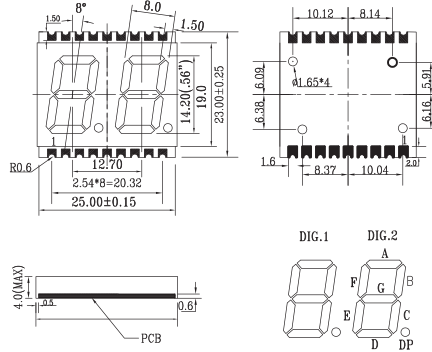
**CD040A**



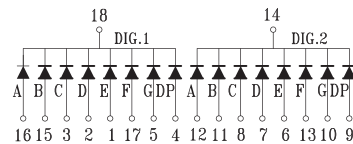
**AD040A**



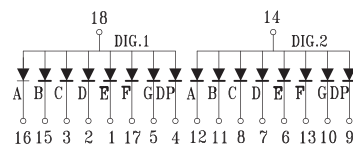
**A/C D056A**



**CD056A**



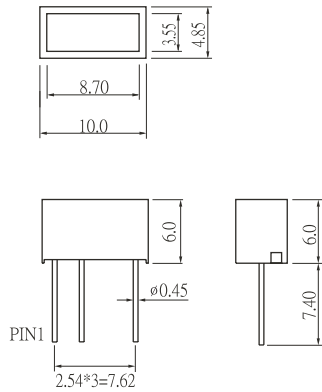
**AD056A**



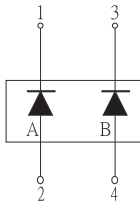
Notes: 1. All dimensions are in millimeter (inches), tolerance is 0.25 unless otherwise noted.  
2. Specifications are subject to change without notice.



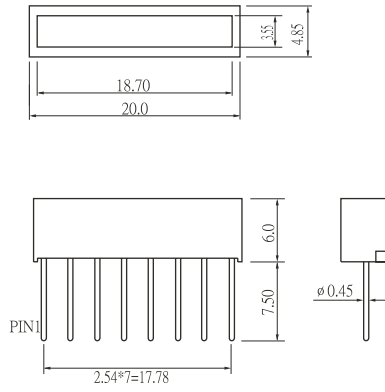
**CB01**



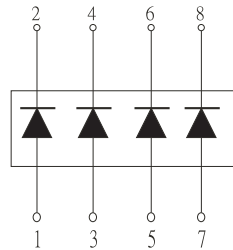
**CB01**



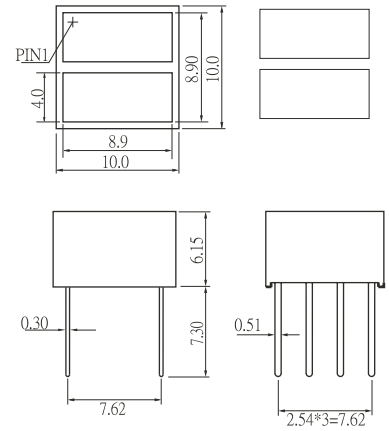
**CB02**



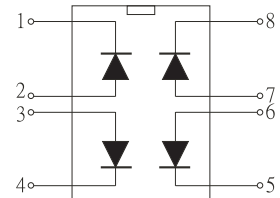
**CB02**



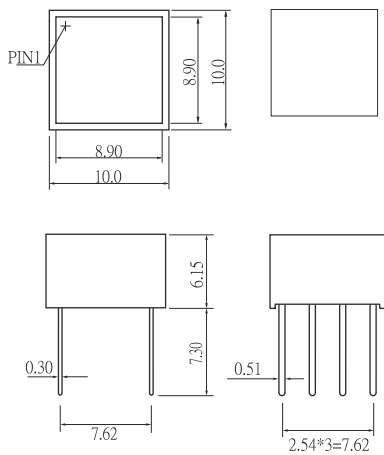
**CB03**



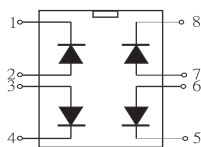
**CB03**



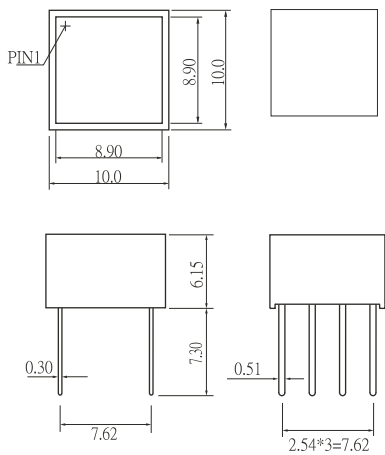
**CB04**



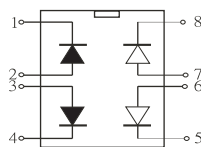
**CB04**



**CB05**

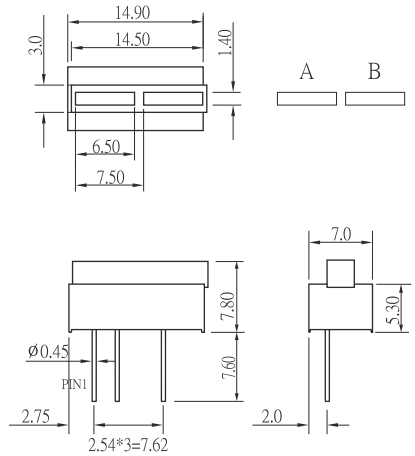


**CB05**

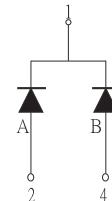


—▲— GREEN  
—◀— ORANGE

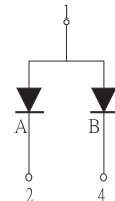
**A/C B06**



**CB06**



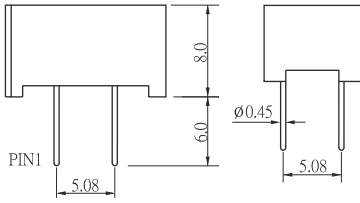
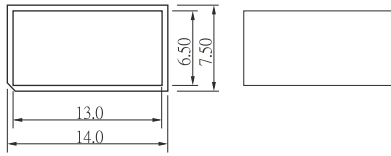
**AB06**



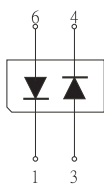
3 NO PIN

Notes: 1. All dimensions are in millimeter (inches), tolerance is 0.25 unless otherwise noted.  
2. Specifications are subject to change without notice.

**CB07**

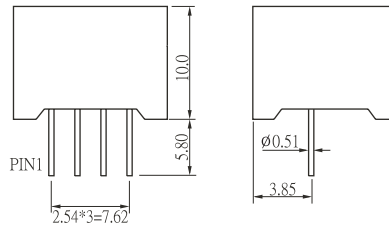
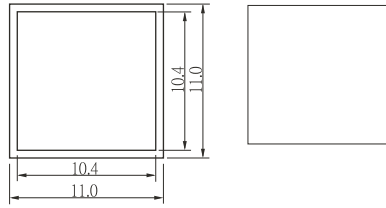


**CB07**



2,5 NO PIN

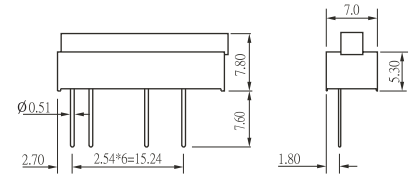
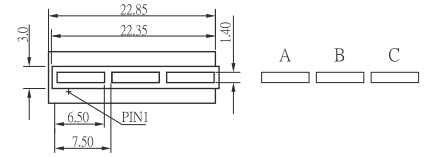
**CB08**



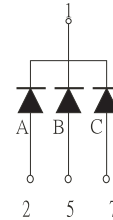
**CB08**



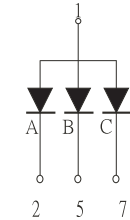
**A/C B09**



**CB09**

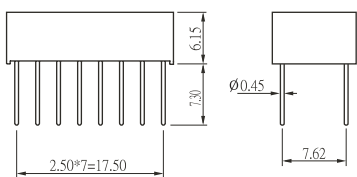
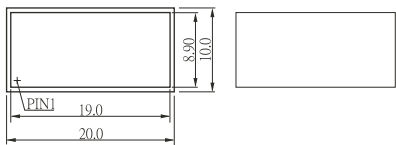


**AB09**

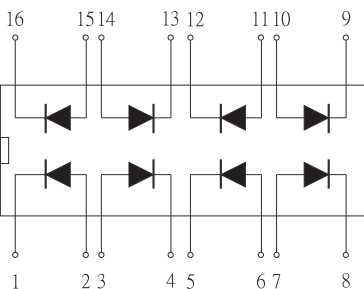


3,4,6 NO PIN

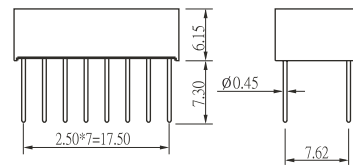
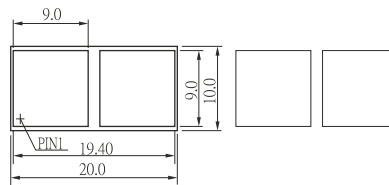
**CB10**



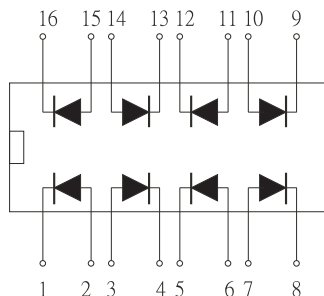
**CB10**



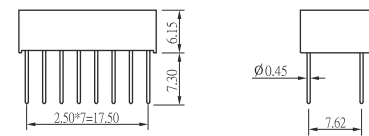
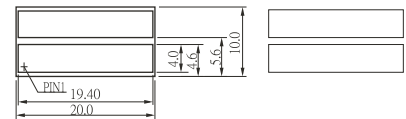
**CB11**



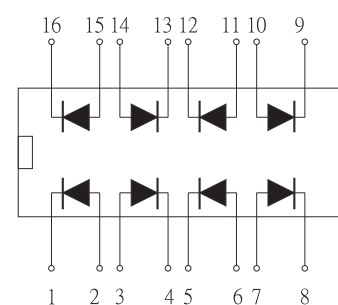
**CB11**



**CB12**

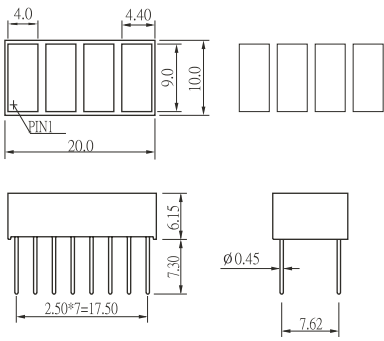


**CB12**

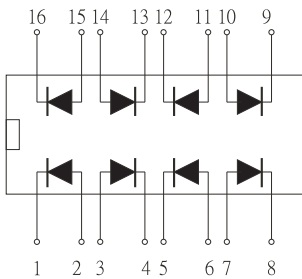


Notes: 1. All dimensions are in millimeter (inches), tolerance is 0.25 unless otherwise noted.  
2. Specifications are subject to change without notice.

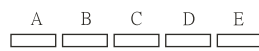
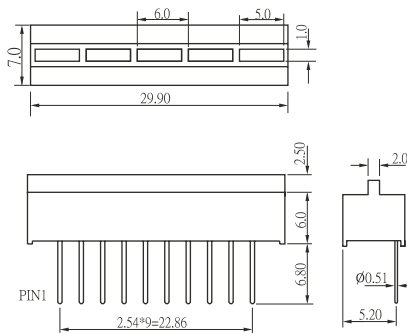
**CB13**



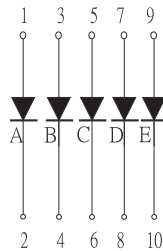
**CB13**



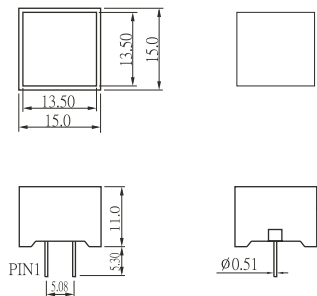
**CB14**



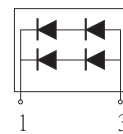
**CB14**



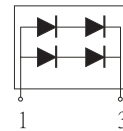
**A/C B15**



**CB15**

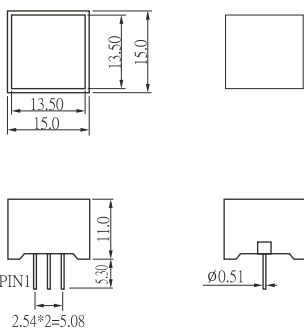


**AB15**

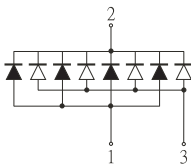


2 NO PIN

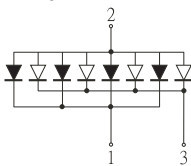
**A/C B16**

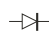



**CB16**

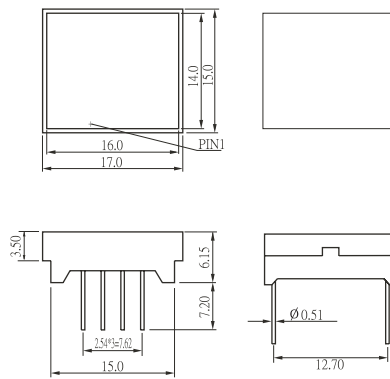


**AB16**

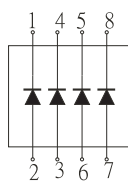


 GREEN  
 ORANGE

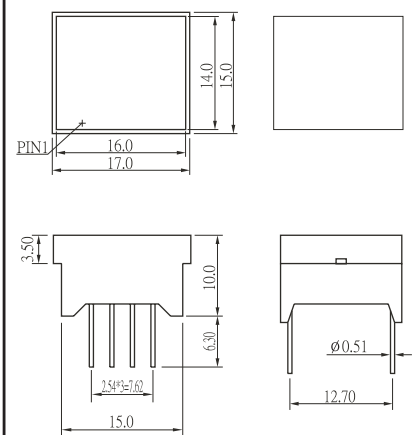
**CB17**



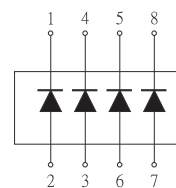
**CB17**



**CB18**

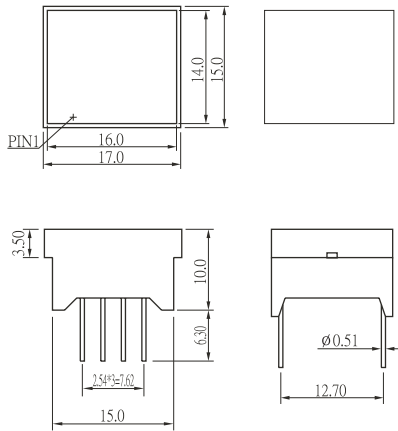


**CB18**

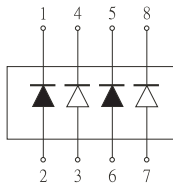


Notes: 1. All dimensions are in millimeter (inches), tolerance is 0.25 unless otherwise noted.  
2. Specifications are subject to change without notice.

**CB19**

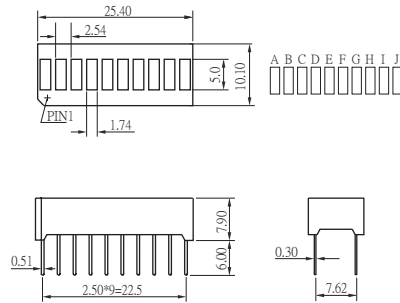


**CB19**

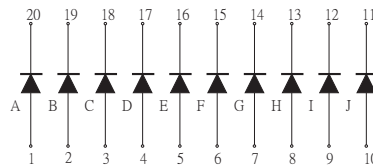


▲ GREEN  
▼ ORANGE

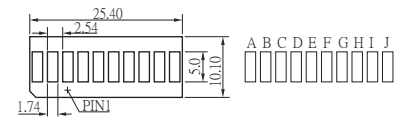
**CB20**



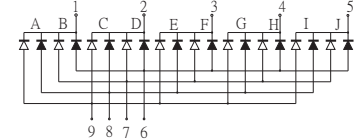
**CB20**



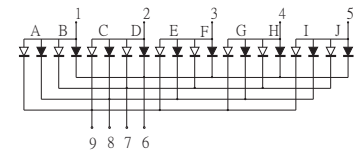
**A/C B21**



**CB21**



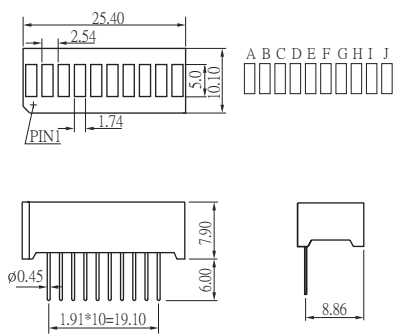
**AB21**



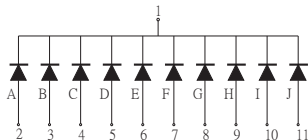
▲ = GREEN  
▼ = ORANGE

10 NO PIN

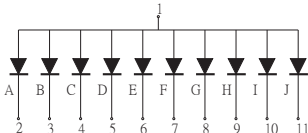
**A/C B22**



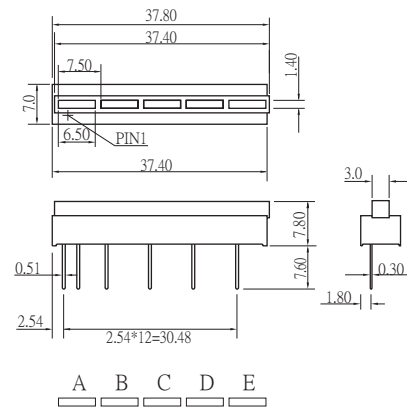
**CB22**



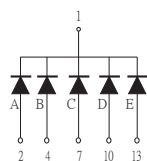
**AB22**



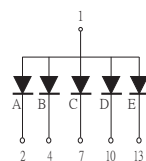
**A/C B23**



**CB23**

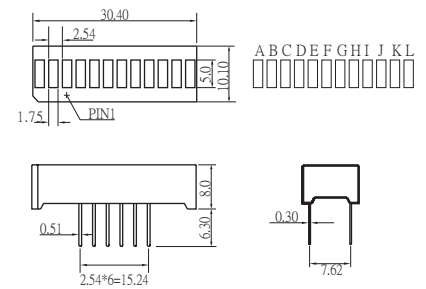


**AB23**

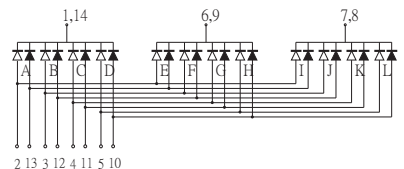


3,5,6,8,9,11,12 NO PIN

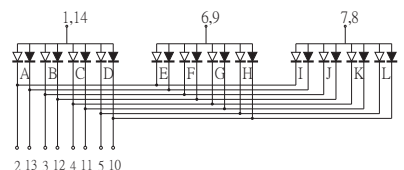
**CB12**



**CB24**



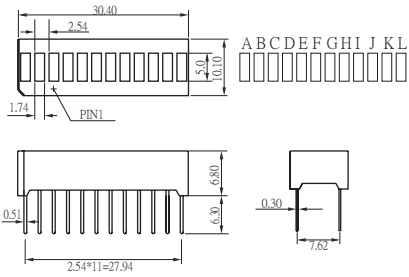
**AB24**



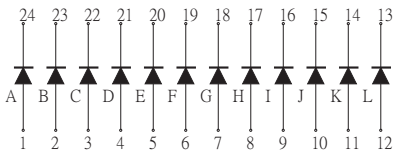
▲ = GREEN  
▼ = ORANGE

Notes: 1. All dimensions are in millimeter (inches), tolerance is 0.25 unless otherwise noted.  
2. Specifications are subject to change without notice.

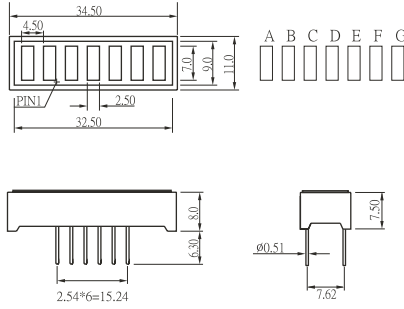
**CB25**



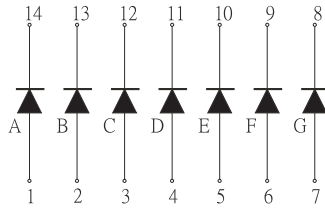
**CB25**



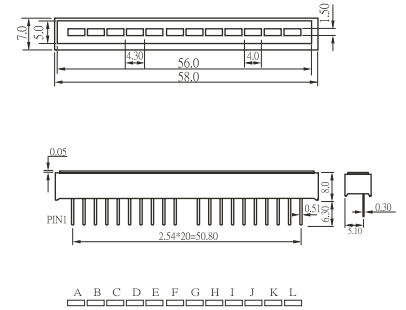
**CB26**



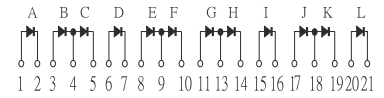
**CB26**



**CB27**

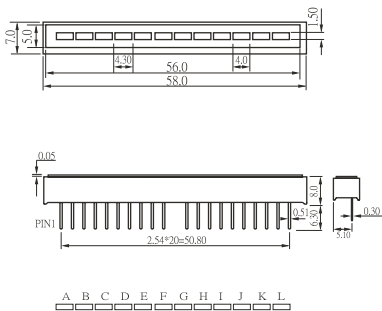


**CB27**

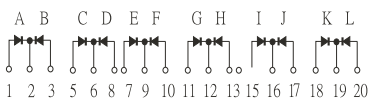


12 NO PIN

**CB28**

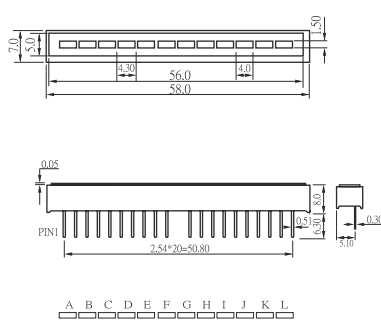


**CB28**

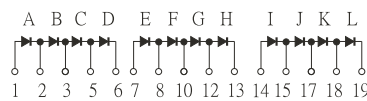


4,14,21 NO PIN

**CB29**

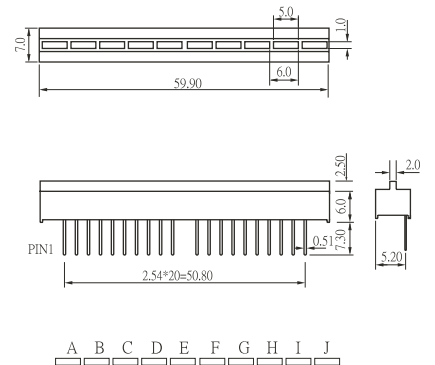


**CB29**

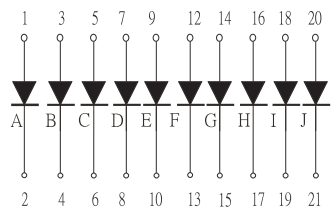


4,9,11,16 NO PIN

**CB30**



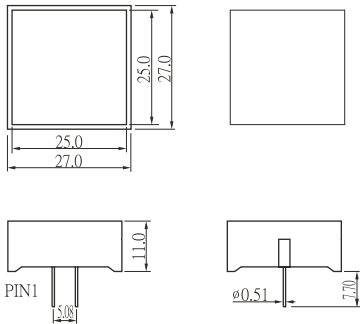
**CB30**



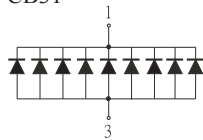
11 NO PIN

Notes: 1. All dimensions are in millimeter (inches), tolerance is 0.25 unless otherwise noted.  
2. Specifications are subject to change without notice.

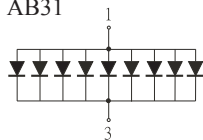
**A/C B31**



**CB31**

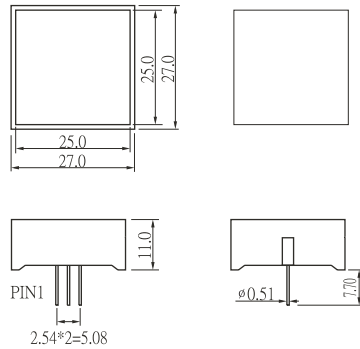


**AB31**

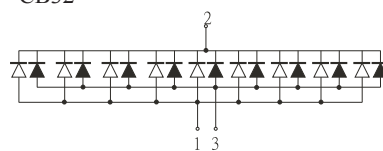


2 NO PIN

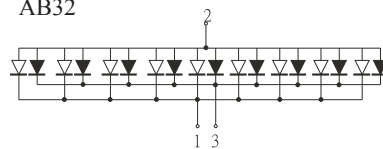
**A/C B32**



**CB32**

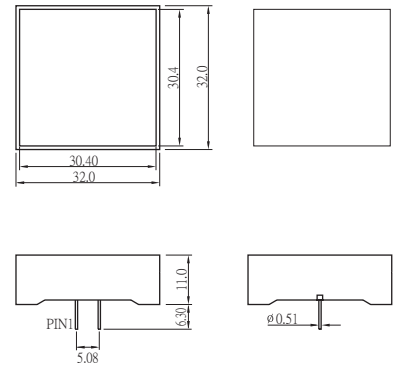


**AB32**

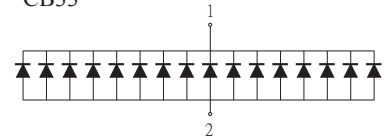


 GREEN  
 ORANGE

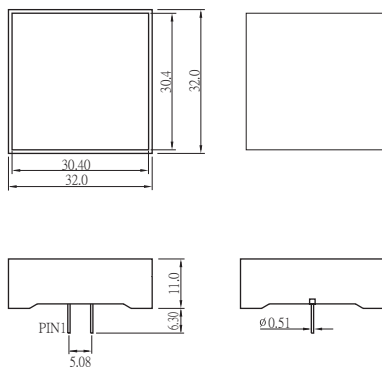
**CB33**



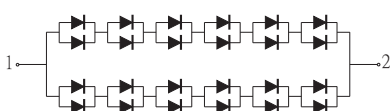
**CB33**



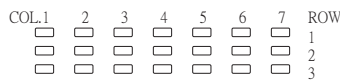
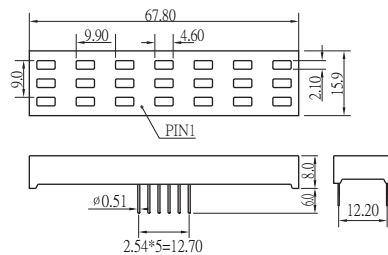
**CB34**



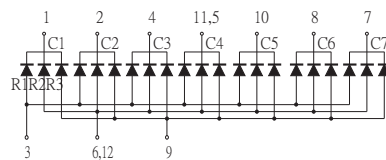
**CB34**



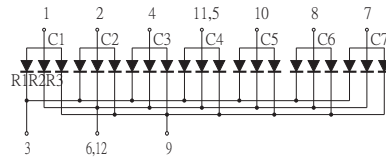
**A/C B35**



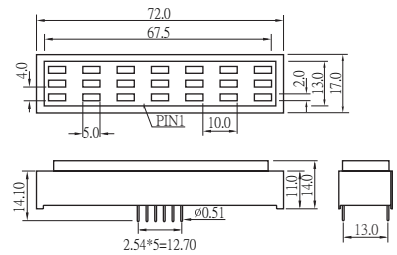
**CB35**



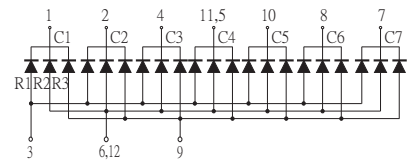
**AB35**



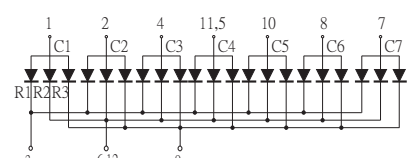
**C/A B36**



**CB35**

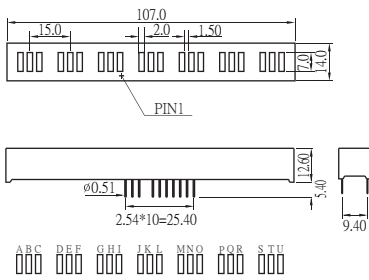


**AB35**

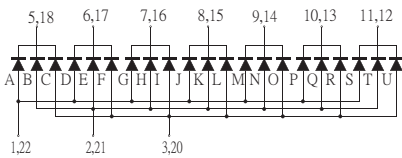


Notes: 1. All dimensions are in millimeter (inches), tolerance is 0.25 unless otherwise noted.  
2. Specifications are subject to change without notice.

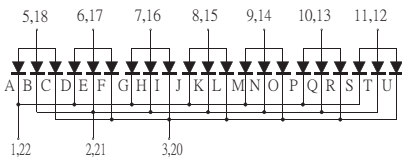
**C/A B37**



**CB37**

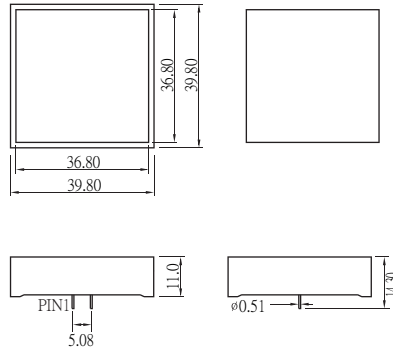


**AB37**

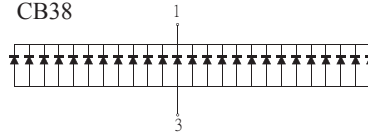


4,19 NO PIN

**CB38**

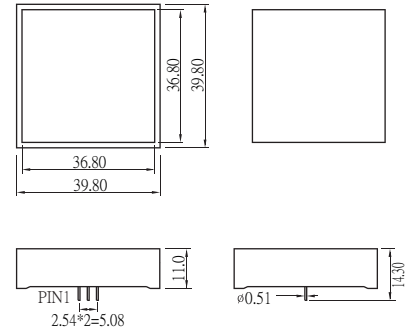


**CB38**

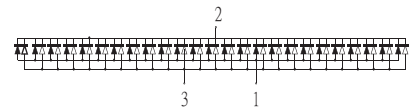


2 NO PIN

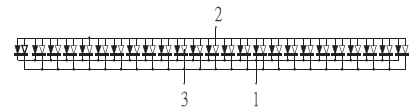
**CB39**



**CB39**

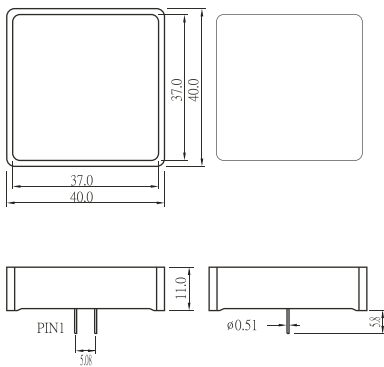


**AB39**

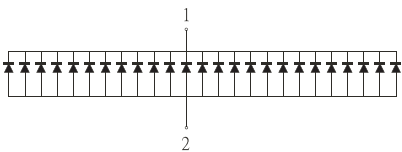


→ = GREEN  
→ = ORANGE

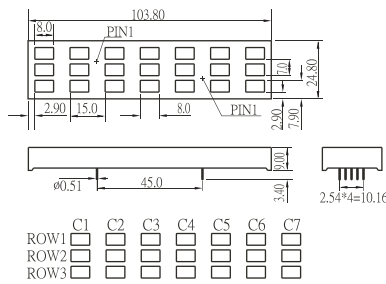
**CB40**



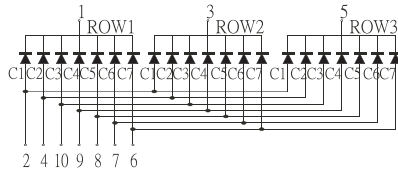
**CB40**



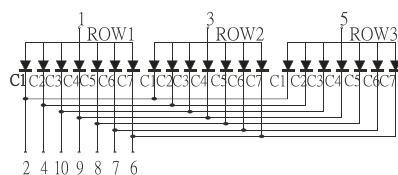
**CB41**



**CB41**

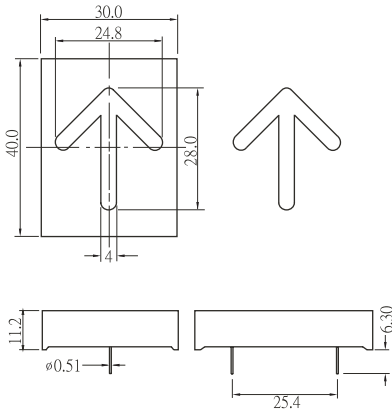


**AB41**



Notes: 1. All dimensions are in millimeter (inches), tolerance is 0.25 unless otherwise noted.  
2. Specifications are subject to change without notice.

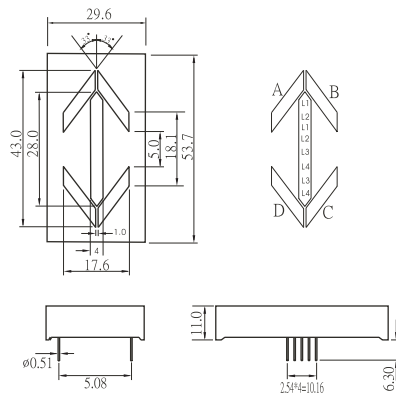
CA01



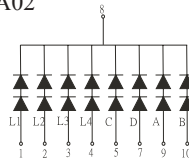
CA01



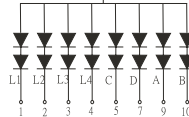
A/C A02



CA02

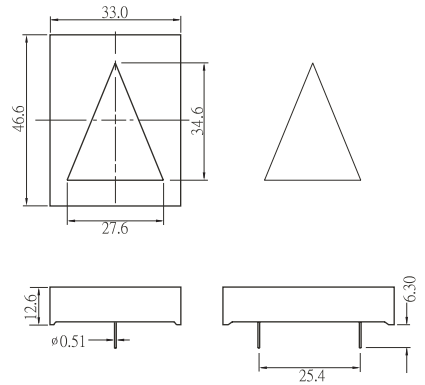


AA02



6 NO PIN

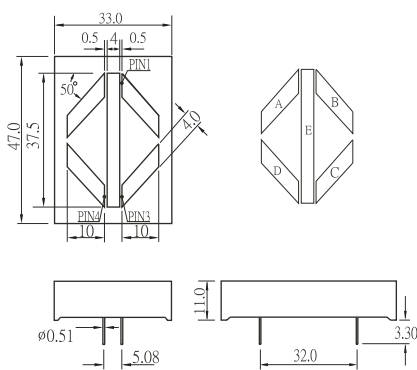
CA03



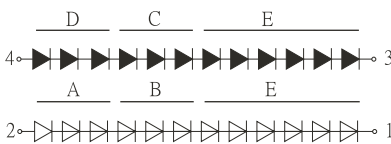
CA03


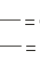


CA04

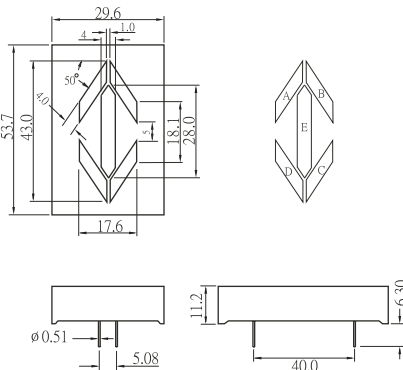


CA04

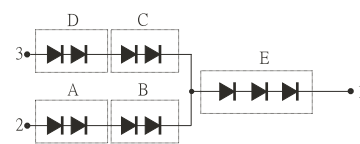


 = GREEN  
 = ORANGE

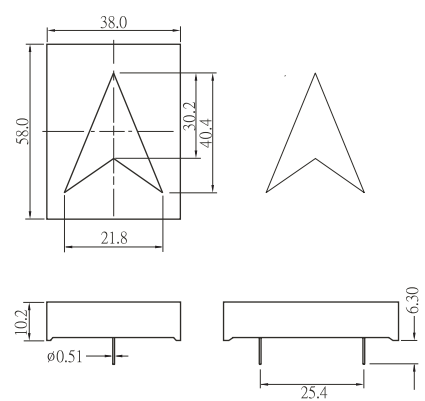
CA05



CA05



CA06

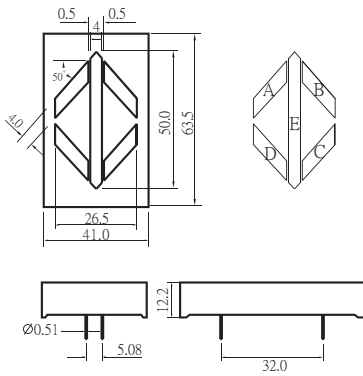


CA06

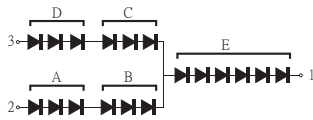


Notes: 1. All dimensions are in millimeter (inches), tolerance is 0.25 unless otherwise noted.  
2. Specifications are subject to change without notice.

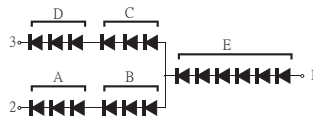
**A/C A07**



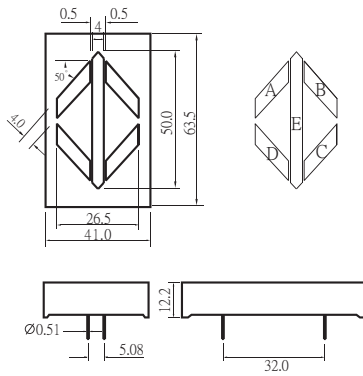
**CA07**



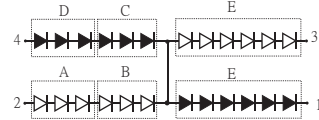
**AA07**



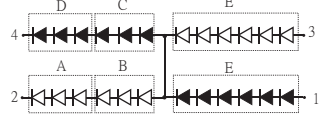
**A/C A08**



**CA08**

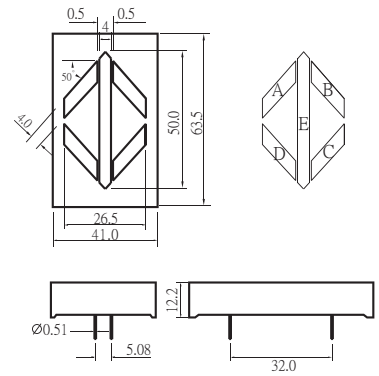


**AA08**

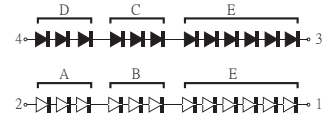


◀ = GREEN  
▶ = RED

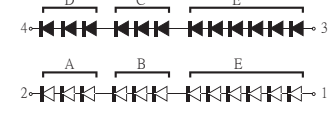
**A/C A09**



**CA09**



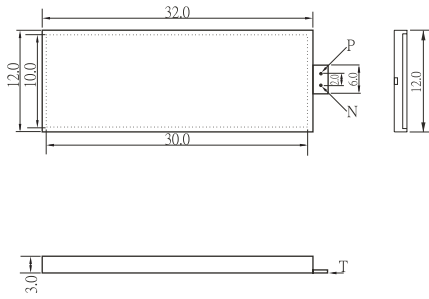
**AA09**



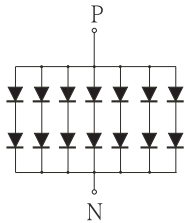
◀ = GREEN  
▶ = ORANGE

Notes: 1. All dimensions are in millimeter (inches), tolerance is 0.25 unless otherwise noted.  
2. Specifications are subject to change without notice.

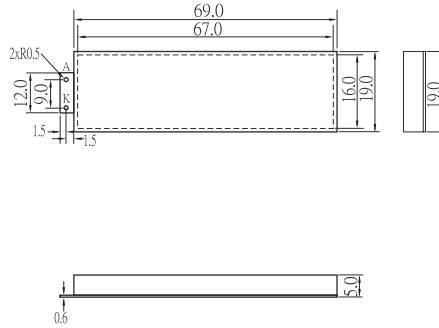
**AB1232**



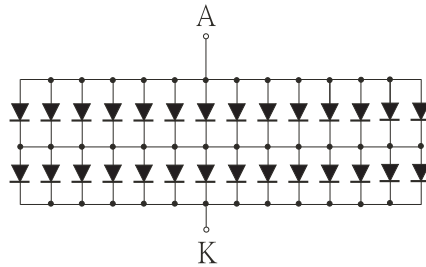
**AB1232**



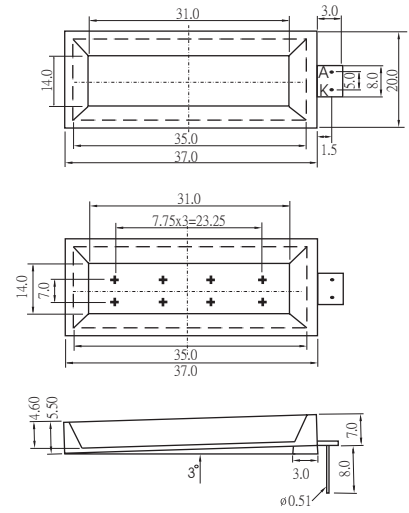
**AB1667**



**AB1667**



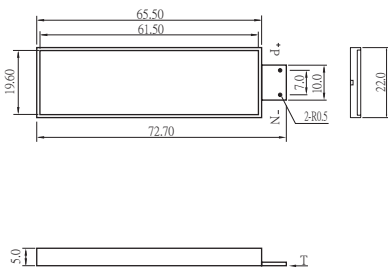
**AB2037**



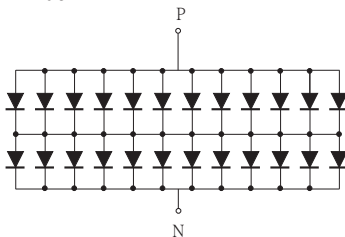
**AB2037**



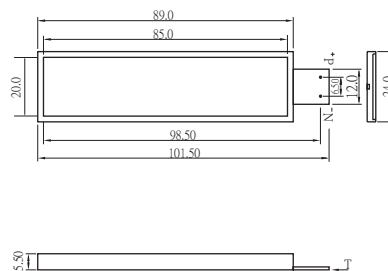
**AB2062**



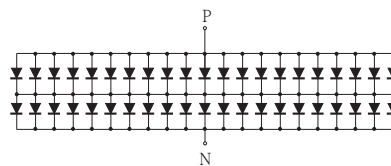
**AB2062**



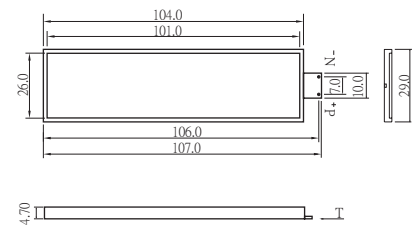
**AB2085**



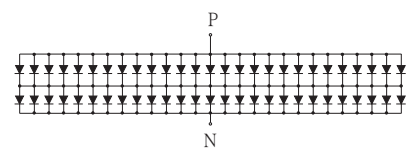
**AB2085**



**AB26101**



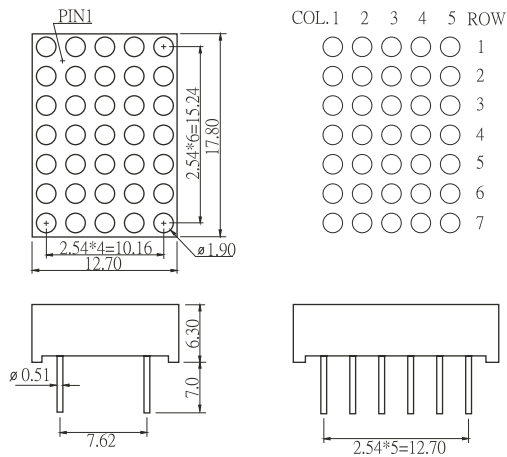
**AB26101**



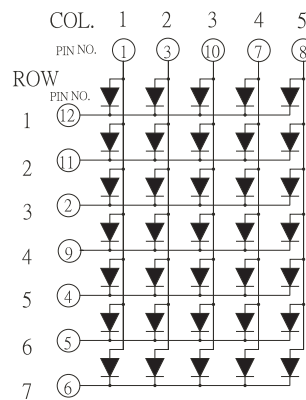
Notes: 1. All dimensions are in millimeter (inches), tolerance is 0.25 unless otherwise noted.  
2. Specifications are subject to change without notice.



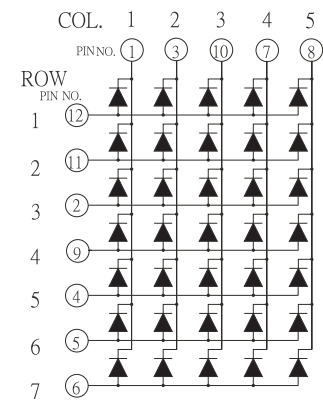
**C/A 02571**



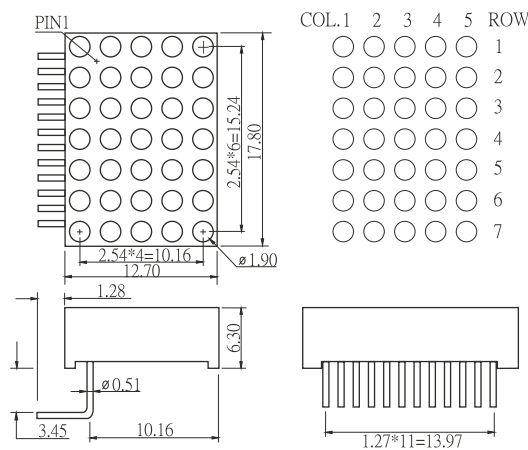
**A02571**



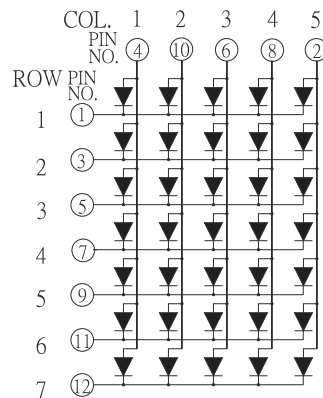
**C02571**



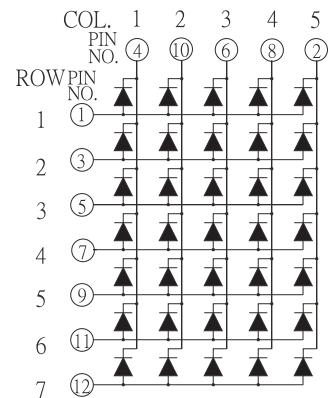
**C/A 02572**



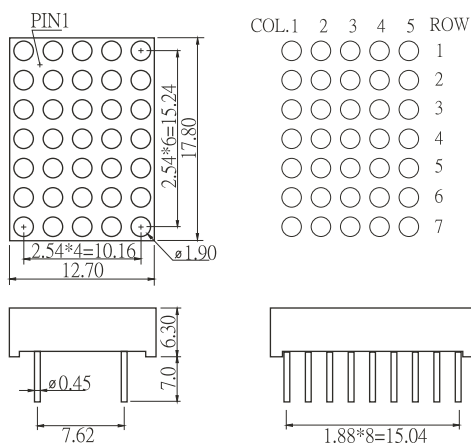
**A02572**



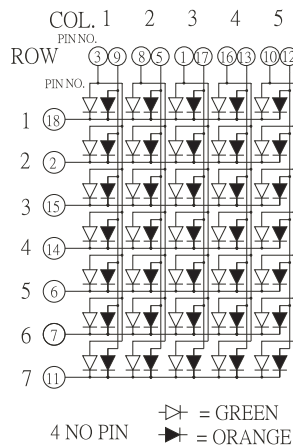
**C02572**



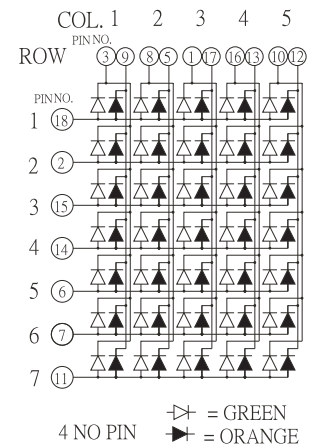
**C/A 02573**



**A02573**

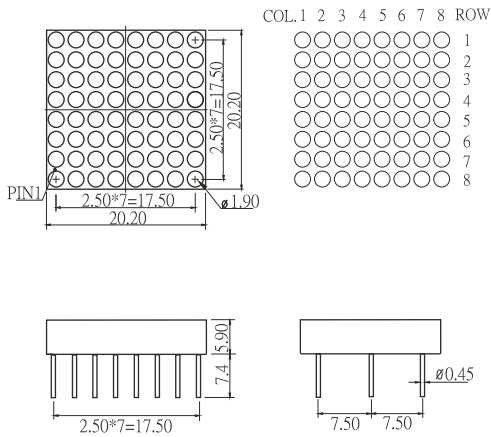


**C02573**

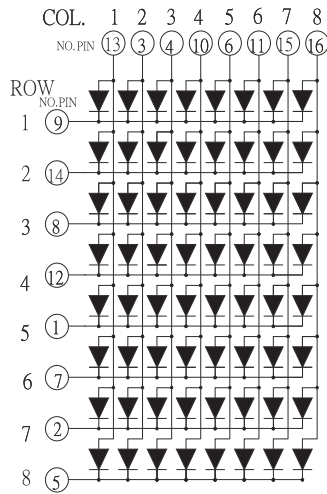


Notes: 1. All dimensions are in millimeter (inches), tolerance is 0.25 unless otherwise noted.  
 2. Specifications are subject to change without notice.

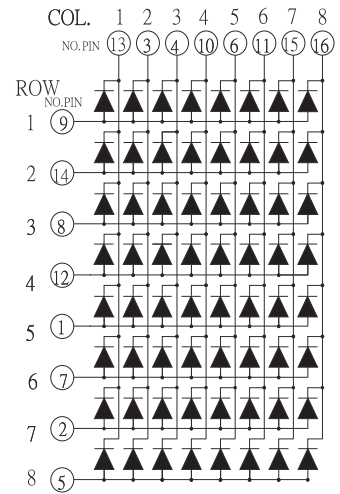
**C/A 02881**



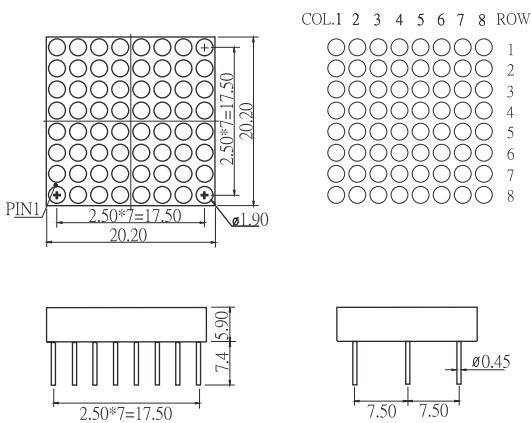
**A02881**



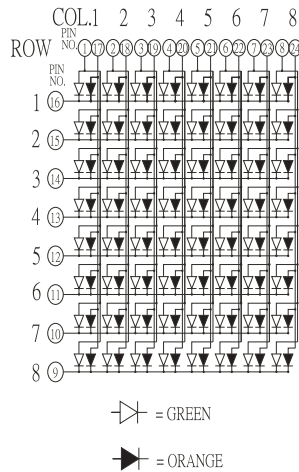
**C02881**



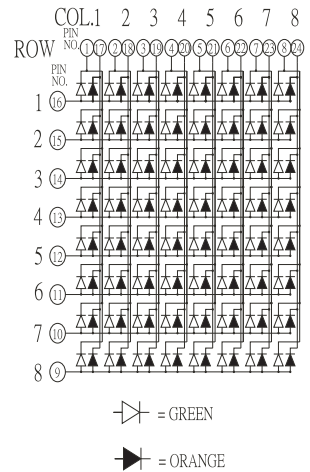
**C/A 02882**



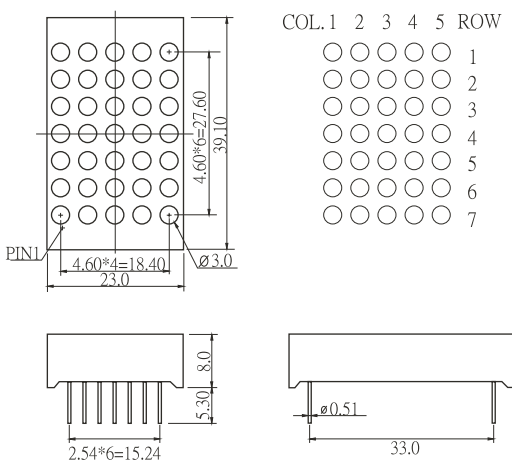
**A02882**



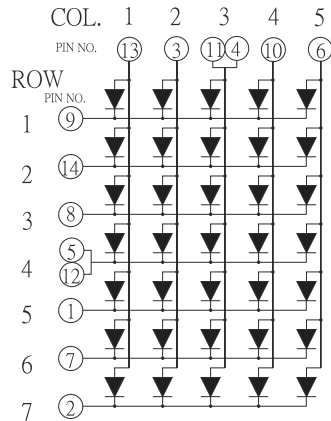
**C02882**



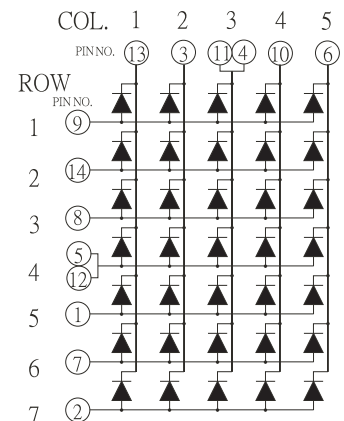
**C/A 03571**



**A03571**

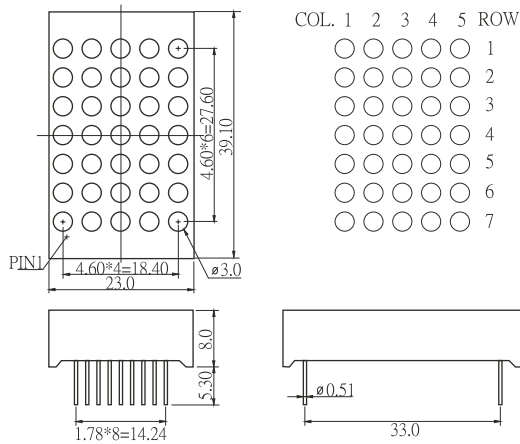


**C03571**

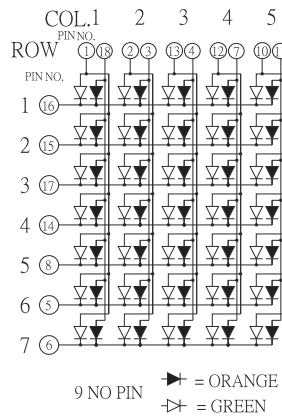


Notes: 1. All dimensions are in millimeter (inches), tolerance is 0.25 unless otherwise noted.  
2. Specifications are subject to change without notice.

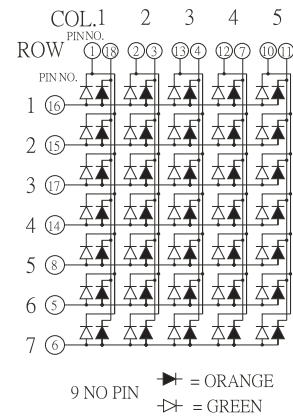
**C/A 03572**



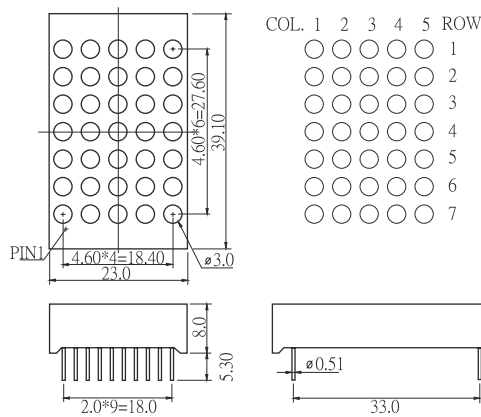
**A03572**



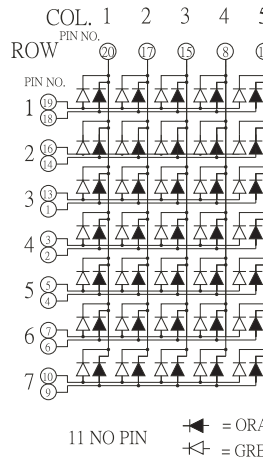
**C03572**



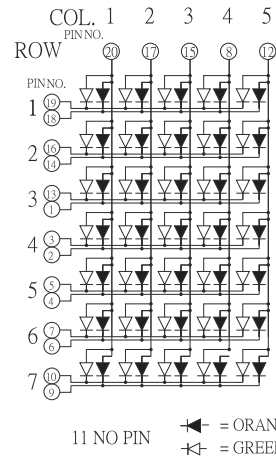
**C/A 03573**



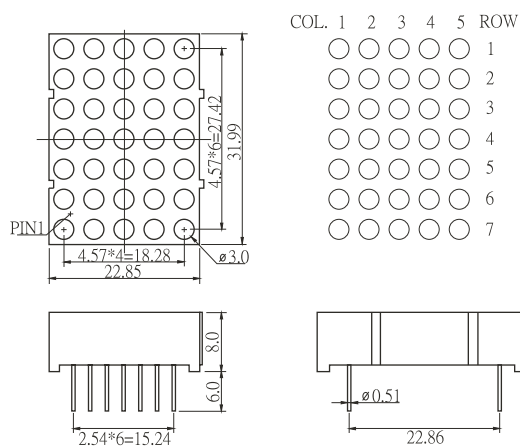
**A02573**



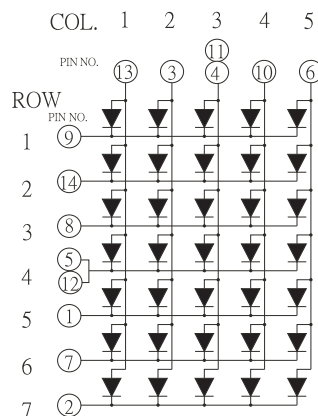
**C02573**



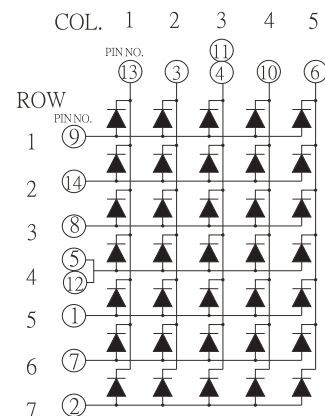
**C/A 03574**



**A02573**

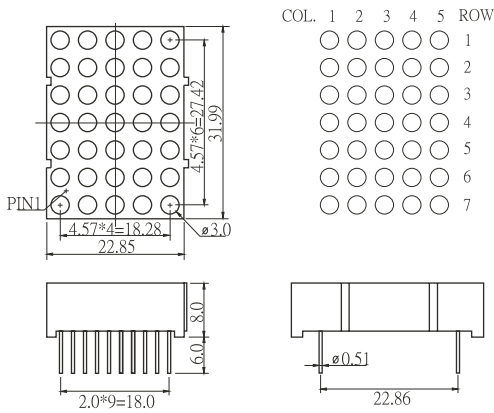


**C02573**

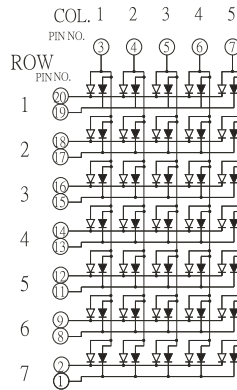


Notes: 1. All dimensions are in millimeter (inches), tolerance is 0.25 unless otherwise noted.  
2. Specifications are subject to change without notice.

**C/A 03575**

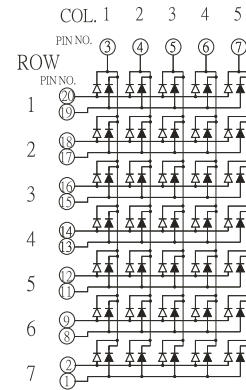


**A03575**



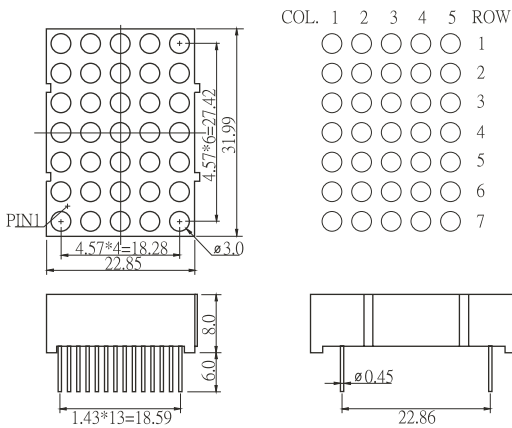
10 NO PIN = ORANGE = GREEN

**C03575**

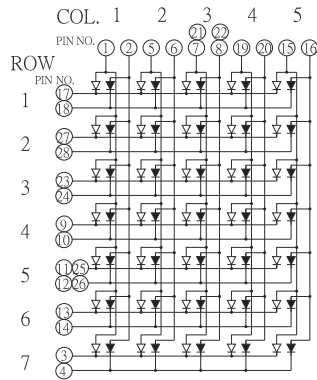


10 NO PIN = ORANGE = GREEN

**C/A 03576**

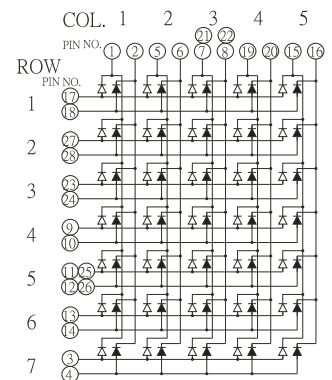


**A03576**



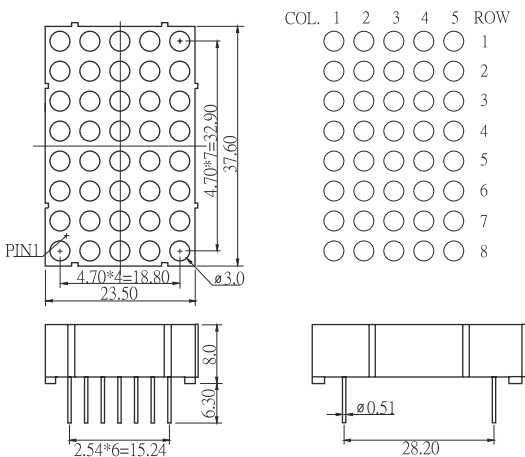
= ORANGE = GREEN

**C03576**

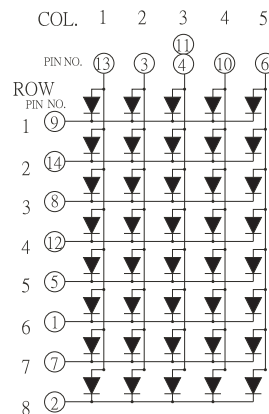


= ORANGE = GREEN

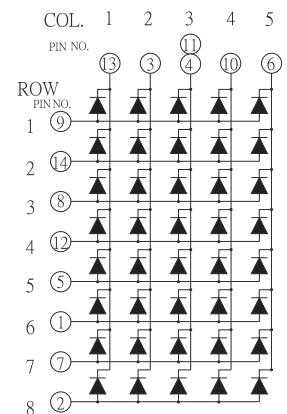
**C/A 03581**



**A03581**

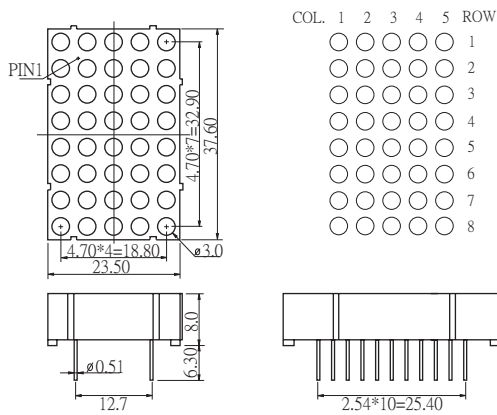


**C 03581**

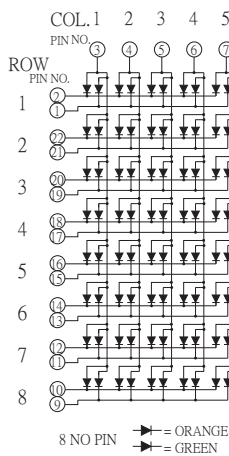


Notes: 1. All dimensions are in millimeter (inches), tolerance is 0.25 unless otherwise noted.  
2. Specifications are subject to change without notice.

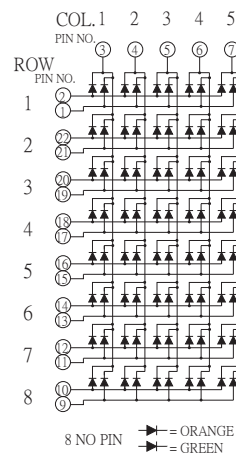
**C/A 03582**



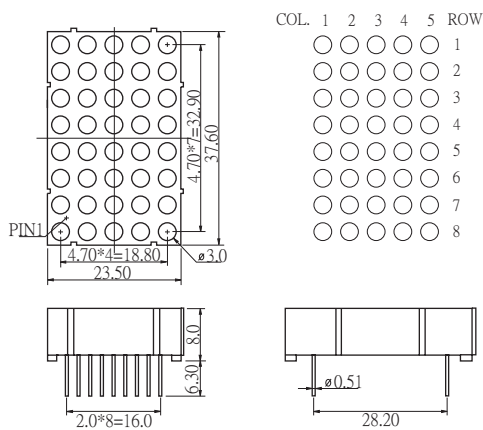
**A03582**



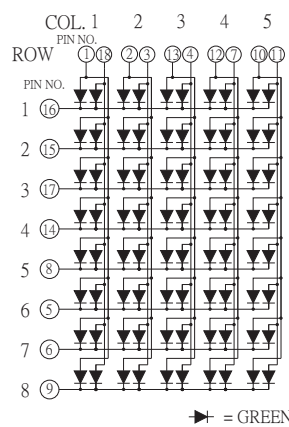
**C03582**



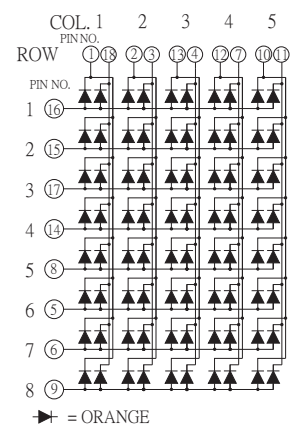
**C/A 03583**



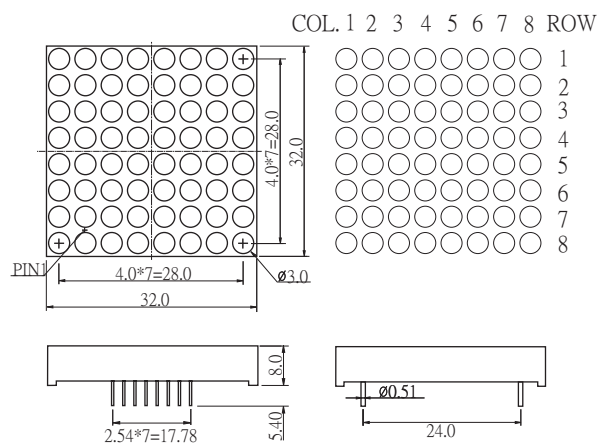
**A03583**



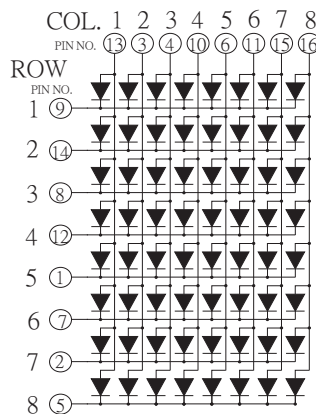
**C03583**



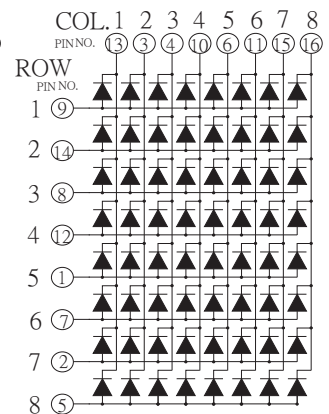
**C/A 03881**



**A03881**

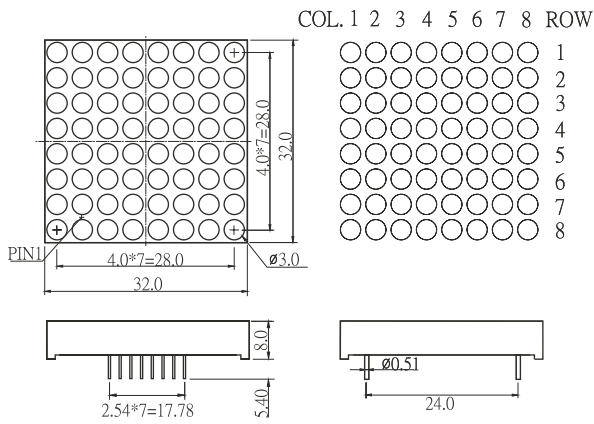


**C03881**

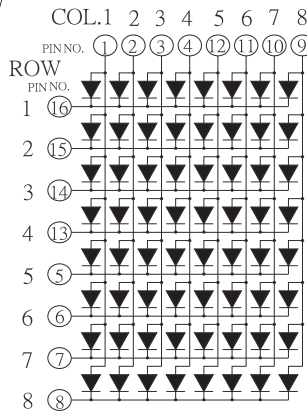


Notes: 1. All dimensions are in millimeter (inches), tolerance is 0.25 unless otherwise noted.  
2. Specifications are subject to change without notice.

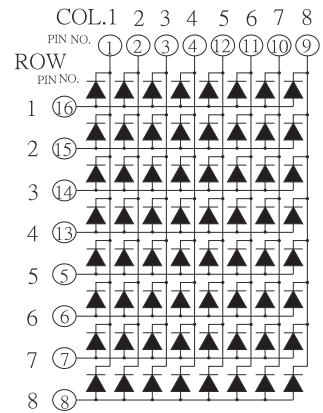
**C/A 03882**



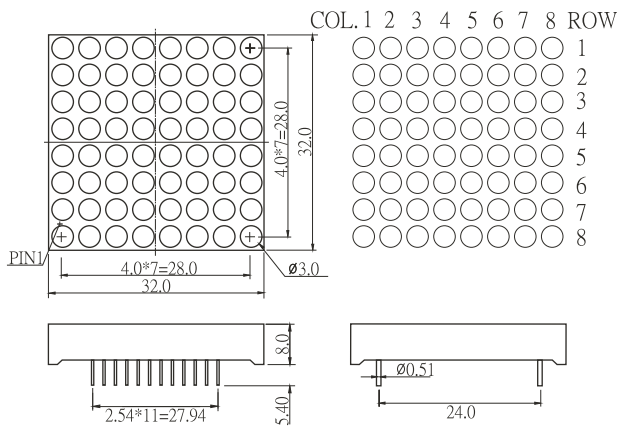
**A03882**



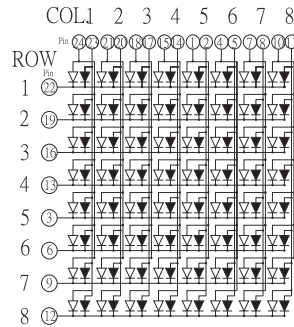
**C03882**



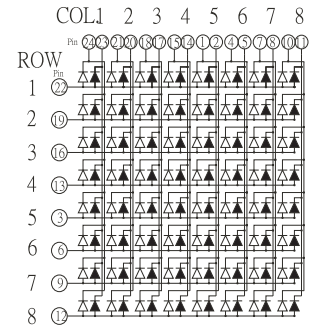
**C/A 03883**



**A03883**



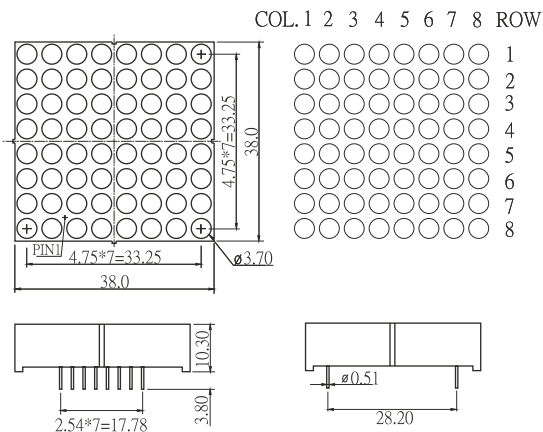
**C03883**



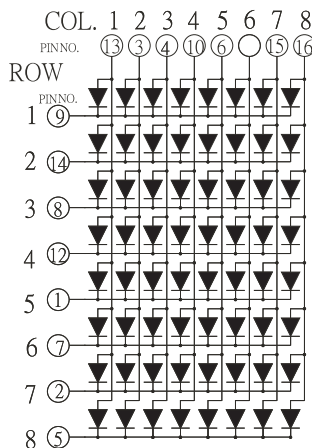
▶ = ORANGE ◀ = GREEN

▶ = ORANGE ◀ = GREEN

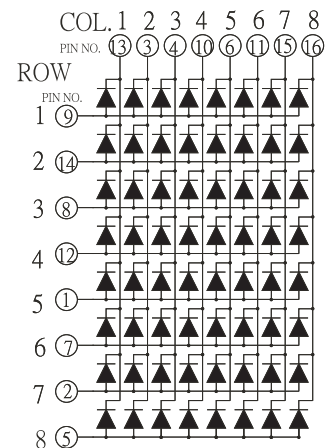
**C/A 03884**



**A03884**

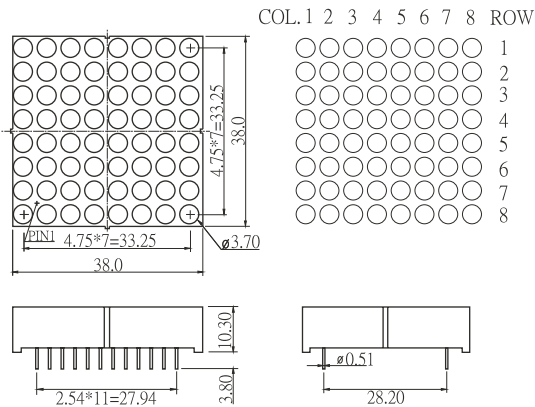


**C03884**

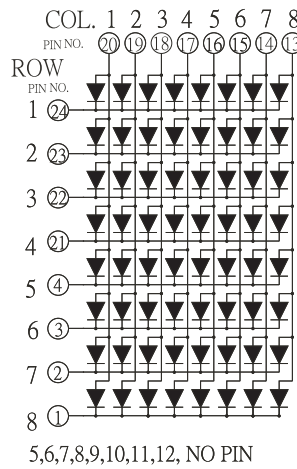


Notes: 1. All dimensions are in millimeter (inches), tolerance is 0.25 unless otherwise noted.  
2. Specifications are subject to change without notice.

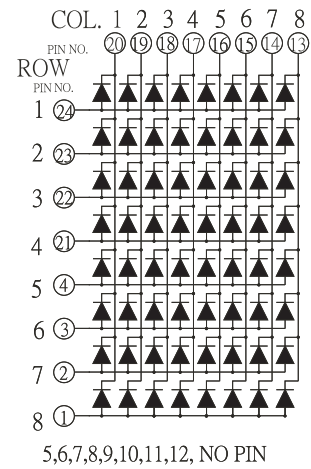
**C/A 03885**



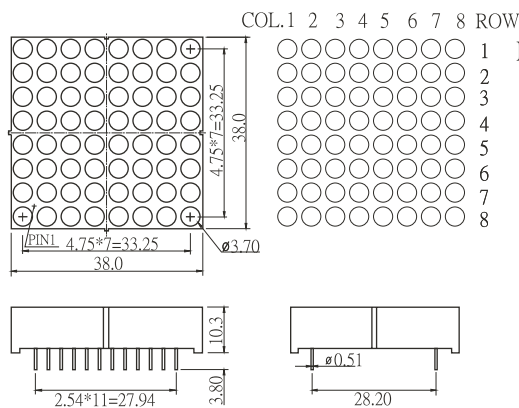
**A03885**



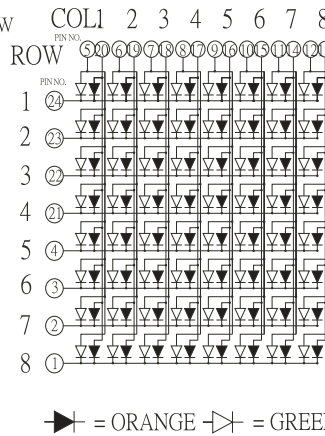
**C03885**



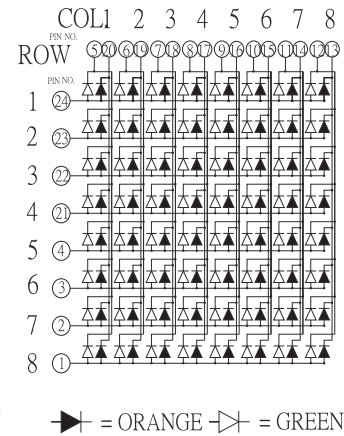
**C/A 03886**



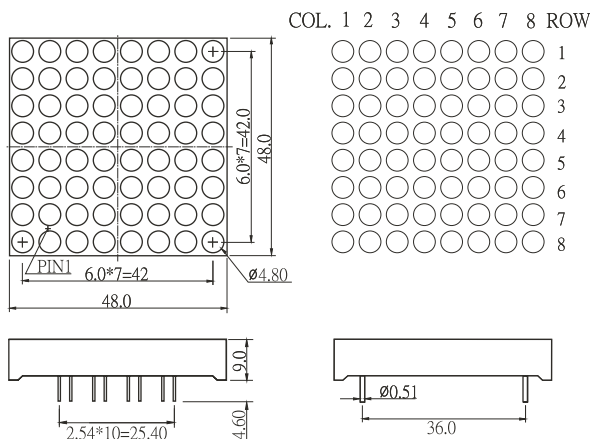
**A03886**



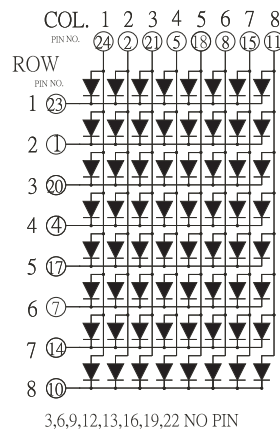
**C03886**



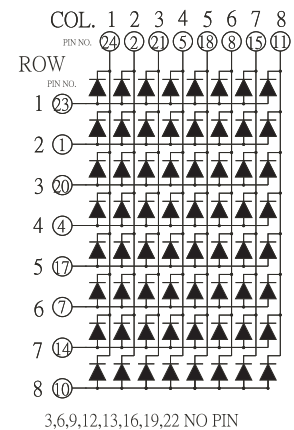
**C/A 04881**



**A04881**

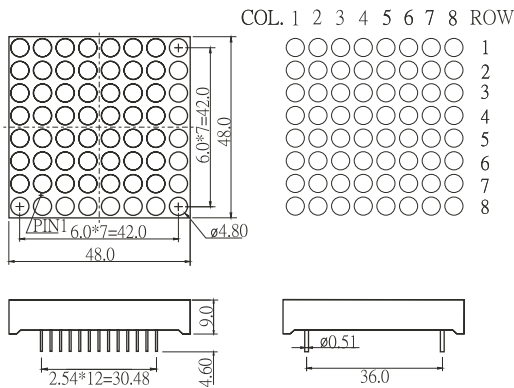


**C04881**

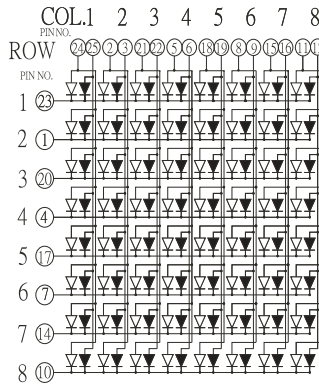


Notes: 1. All dimensions are in millimeter (inches), tolerance is 0.25 unless otherwise noted.  
2. Specifications are subject to change without notice.

**C/A 04882**

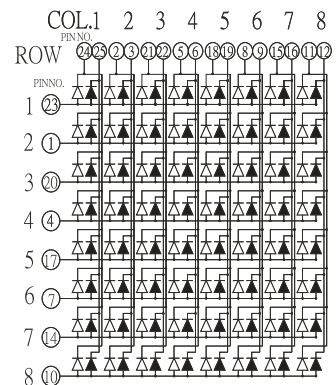


**A04882**



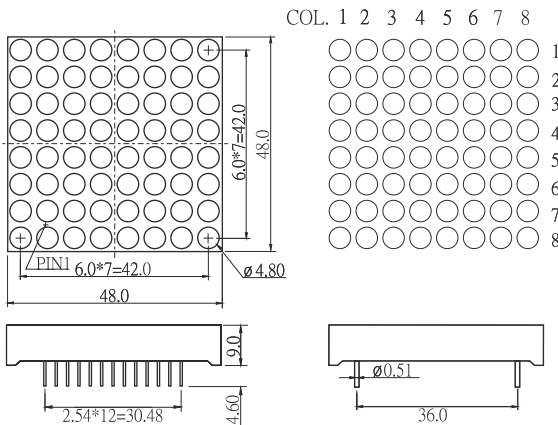
 = GREEN  
 = ORANGE 13,26 NO PIN

**C04882**

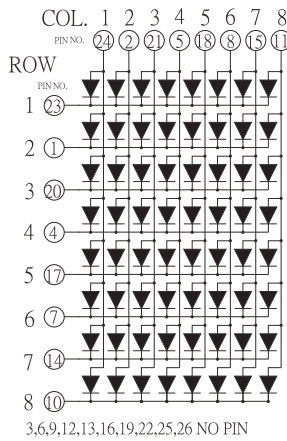


 = GREEN  
 = ORANGE 13,26 NO PIN

**C/A 04883**

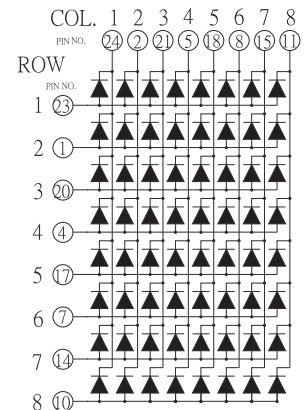


**A04883**



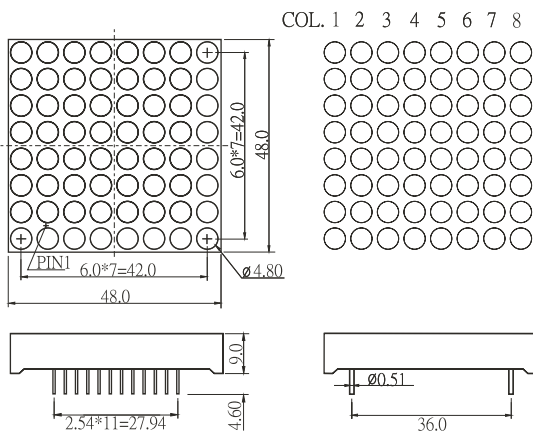
3,6,9,12,13,16,19,22,25,26 NO PIN

**C04883**

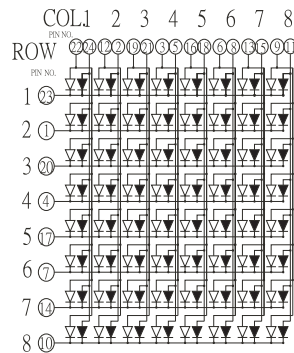


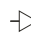

3,6,9,12,13,16,19,22,25,26 NO PIN

**C/A 04884**

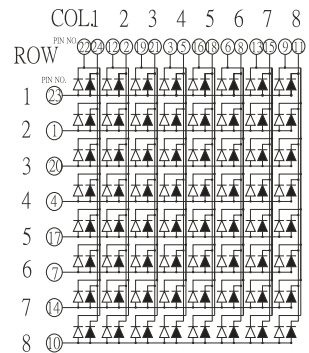


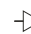

**A04884**



 = GREEN  
 = ORANGE

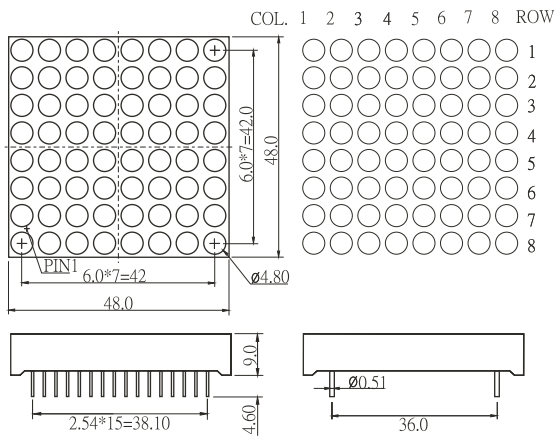
**C04884**



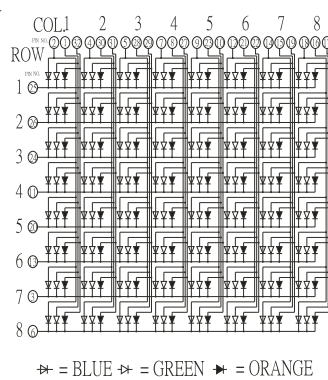
 = GREEN  
 = ORANGE

Notes: 1. All dimensions are in millimeter (inches), tolerance is 0.25 unless otherwise noted.  
2. Specifications are subject to change without notice.

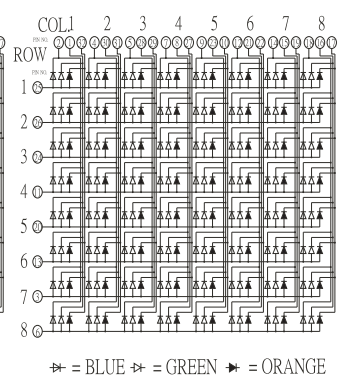
**C/A 04885**



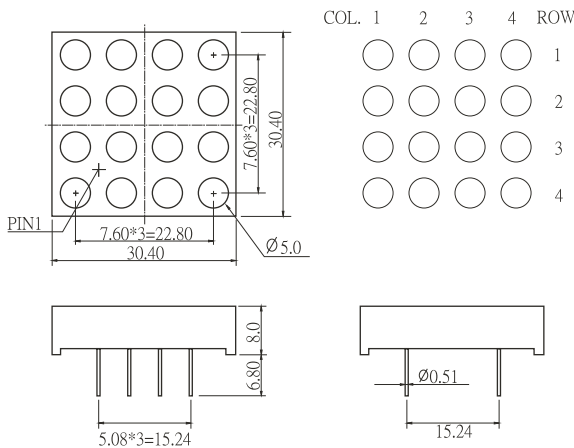
**A04885**



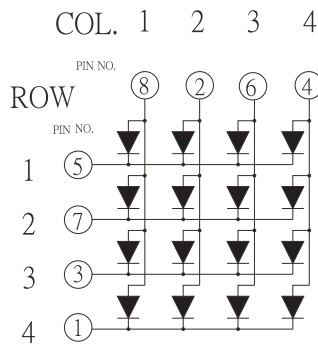
**C04885**



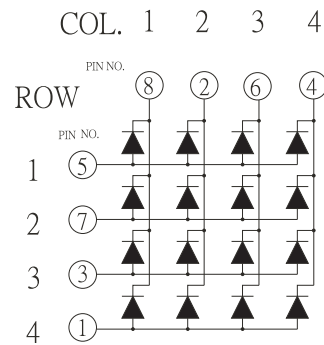
**C/A 05441**



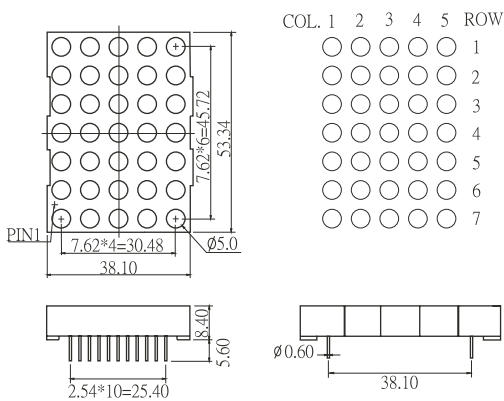
**A05441**



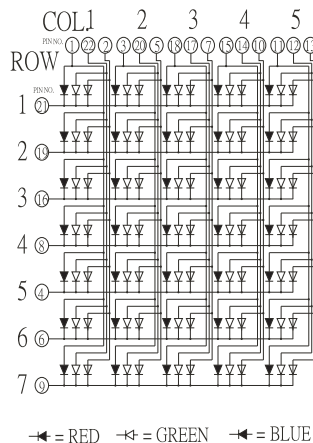
**C05441**



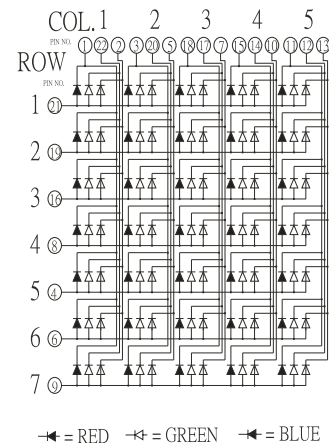
**C/A 05571**



**A04881**

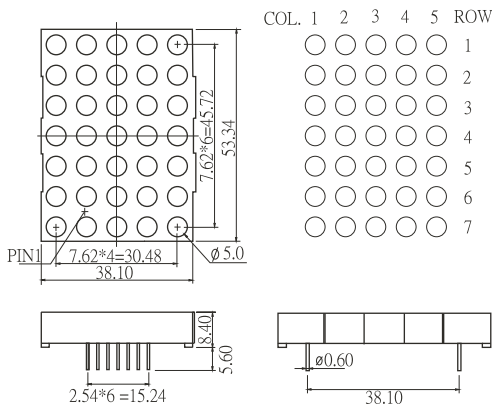


**C04881**

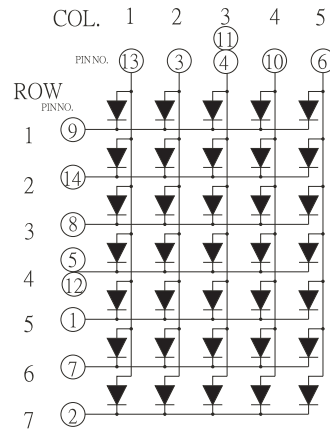


Notes: 1. All dimensions are in millimeter (inches), tolerance is 0.25 unless otherwise noted.  
2. Specifications are subject to change without notice.

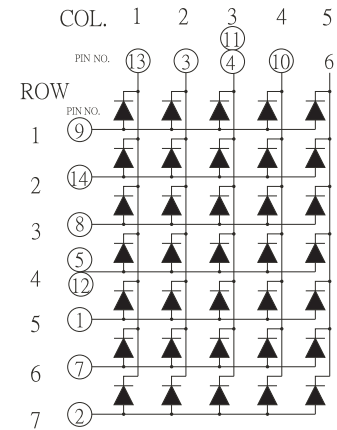
**C/A 05572**



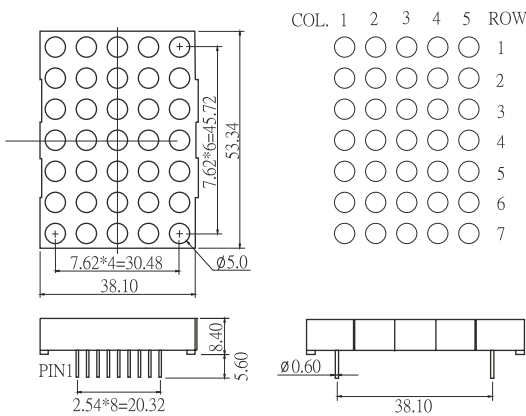
**A05572**



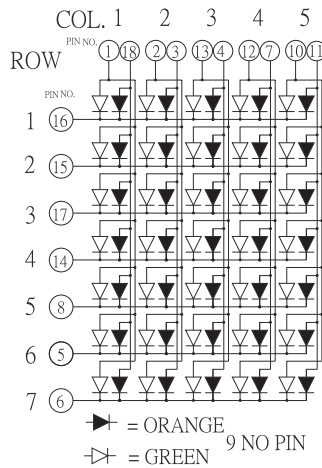
**C05572**



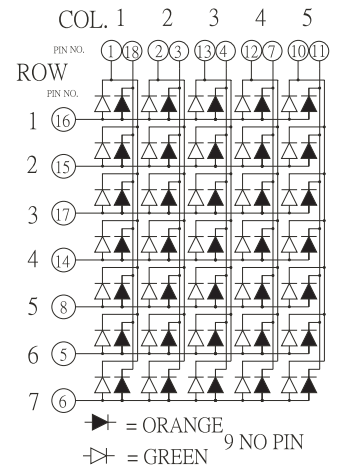
**C/A 05573**



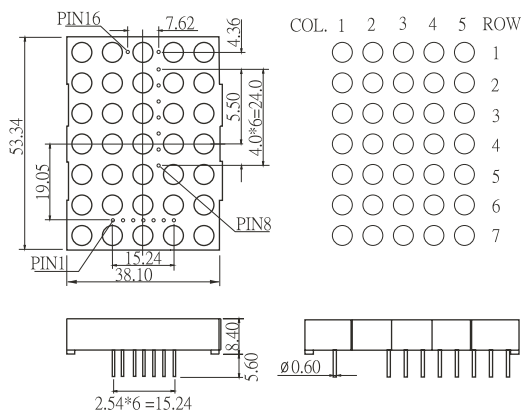
**A05573**



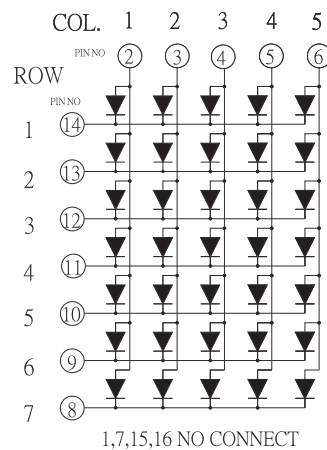
**C05573**



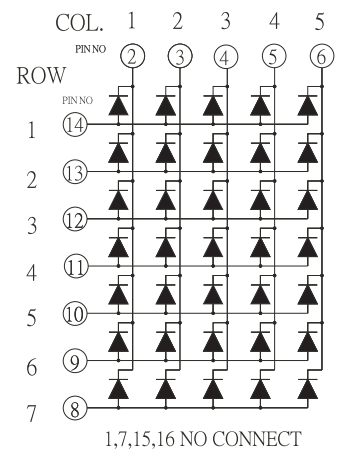
**C/A 05574**



**A05574**

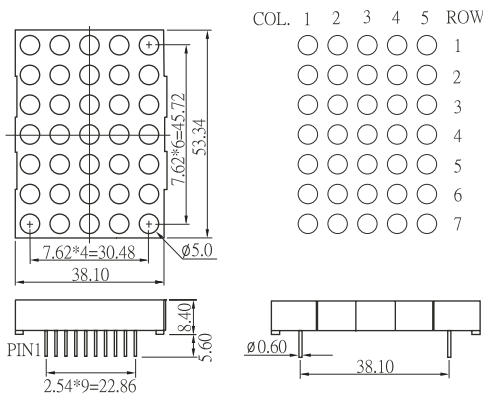


**C05574**

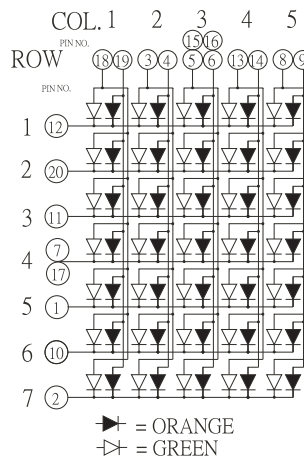


Notes: 1. All dimensions are in millimeter (inches), tolerance is 0.25 unless otherwise noted.  
2. Specifications are subject to change without notice.

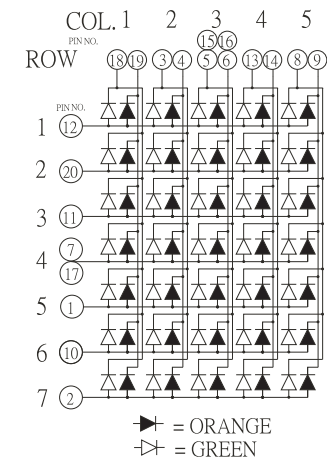
**C/A 05575**



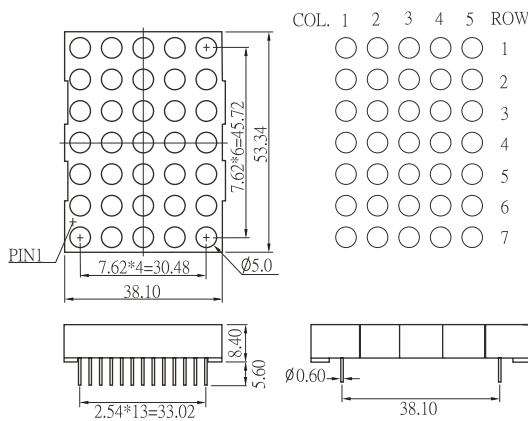
**A05575**



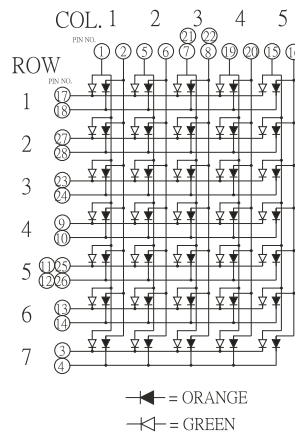
**C05575**



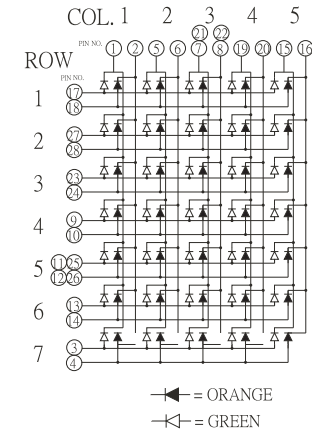
**C/A 05576**



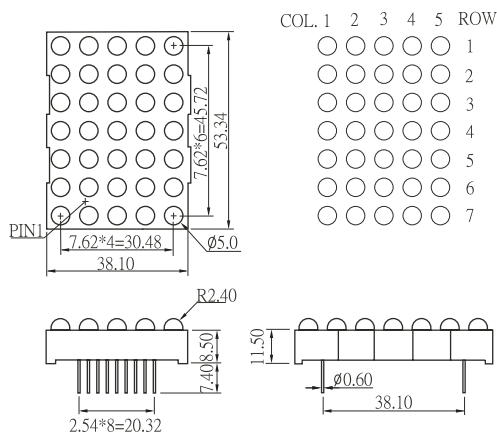
**A05576**



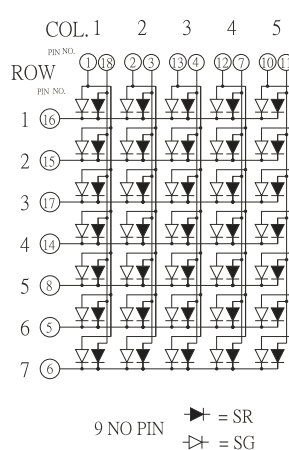
**C05576**



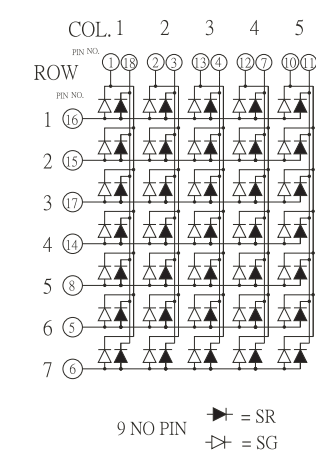
**C/A 05577**



**A05577**

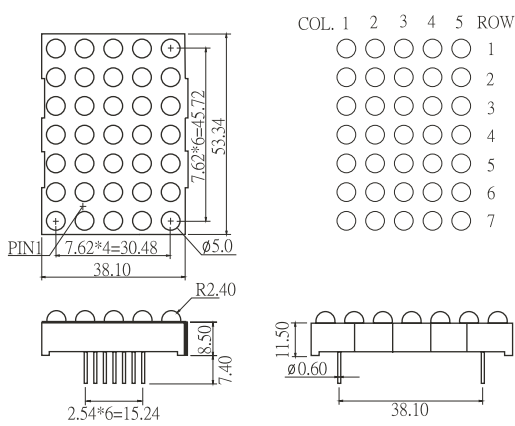


**C05577**

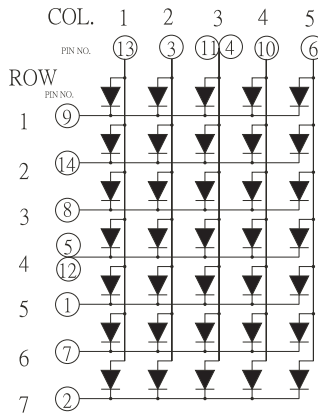


Notes: 1. All dimensions are in millimeter (inches), tolerance is 0.25 unless otherwise noted.  
2. Specifications are subject to change without notice.

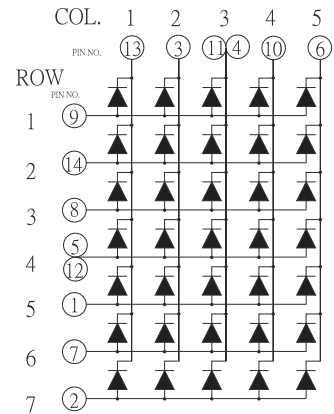
**C/A 05578**



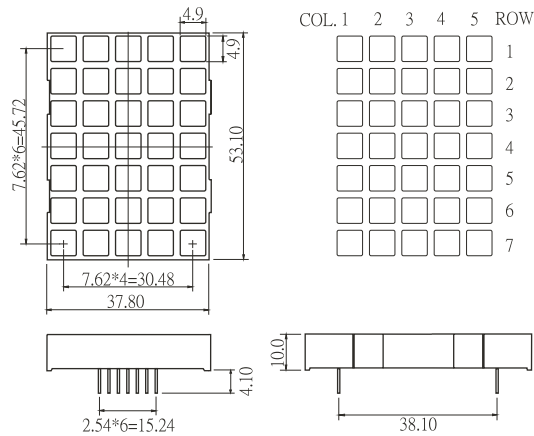
**A05578**



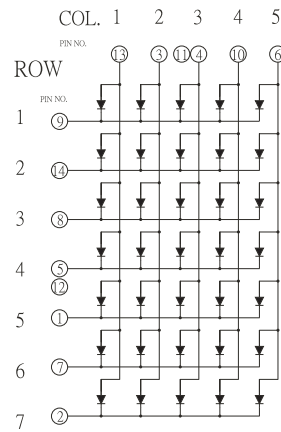
**C05578**



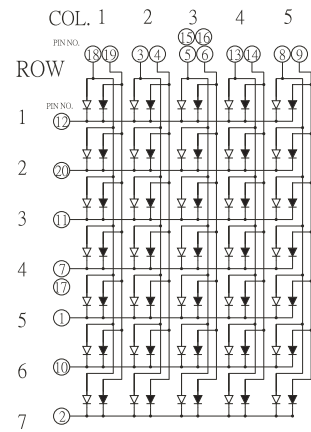
**C/A 05579**



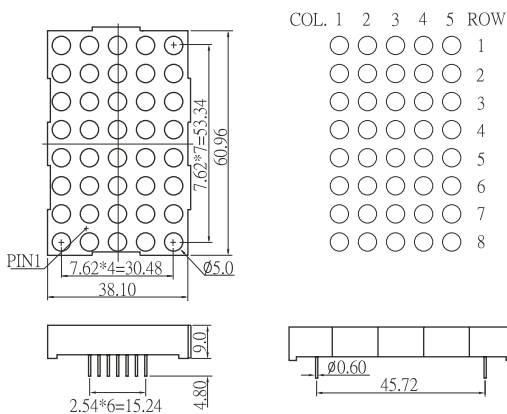
**A05579**



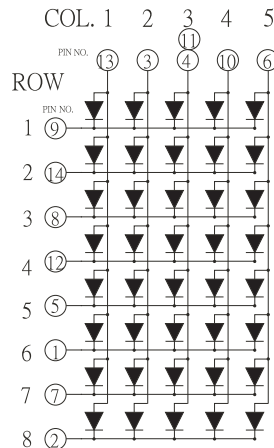
**C05579**



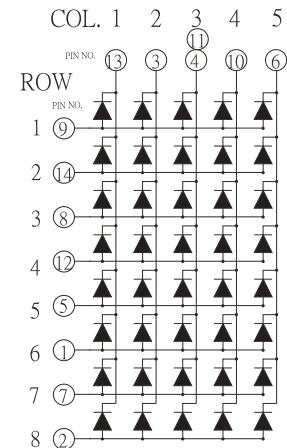
**C/A 05581**



**A05581**

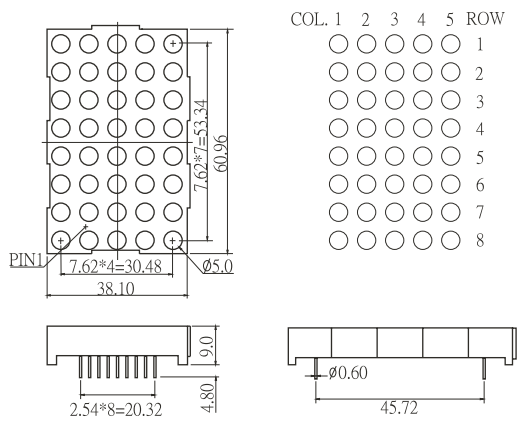


**C05581**

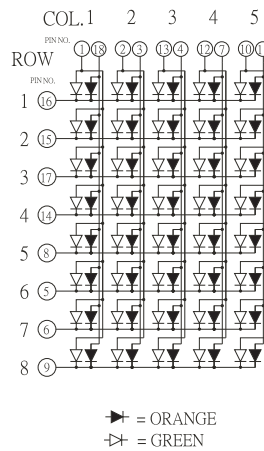


Notes: 1. All dimensions are in millimeter (inches), tolerance is 0.25 unless otherwise noted.  
2. Specifications are subject to change without notice.

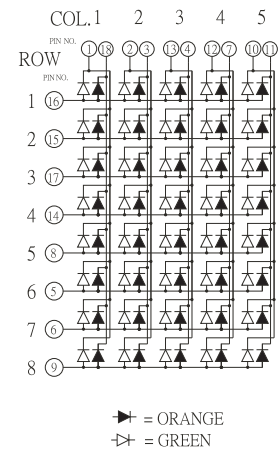
**C/A 05582**



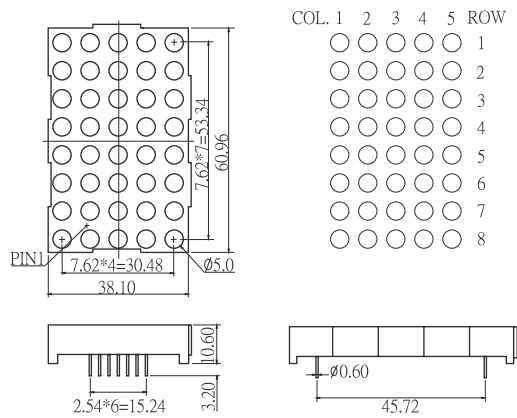
**A05582**



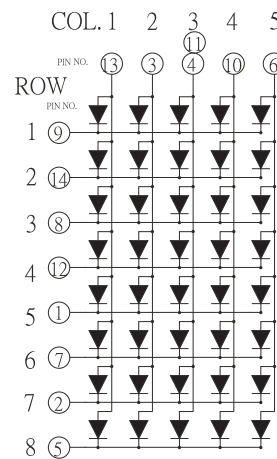
**C05582**



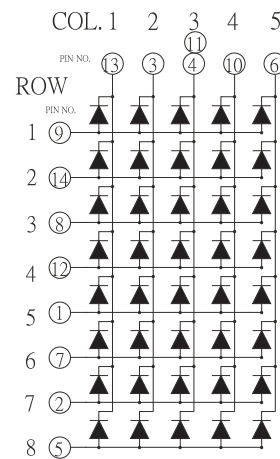
**C/A 05583**



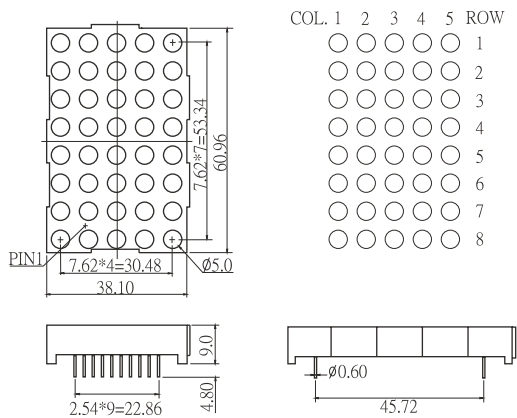
**A05583**



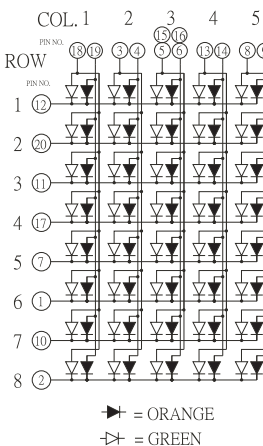
**C05583**



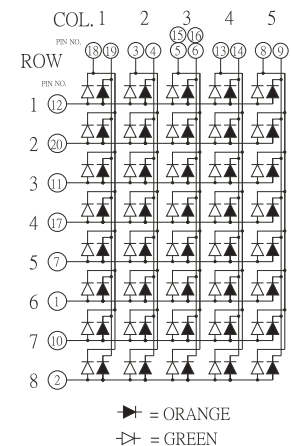
**C/A 05584**



**A05584**

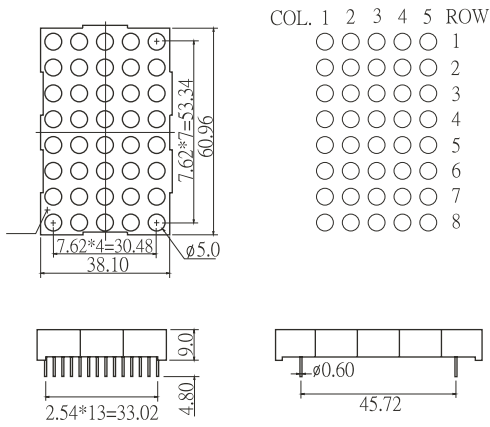


**C05584**

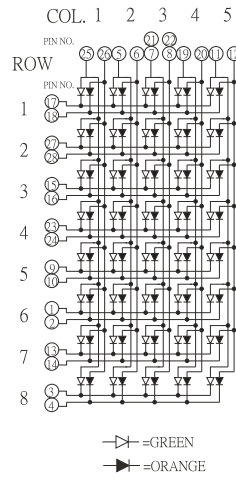


Notes: 1. All dimensions are in millimeter (inches), tolerance is 0.25 unless otherwise noted.  
2. Specifications are subject to change without notice.

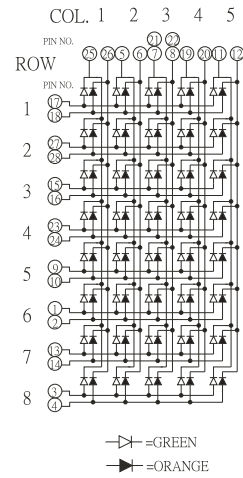
**C/A 05585**



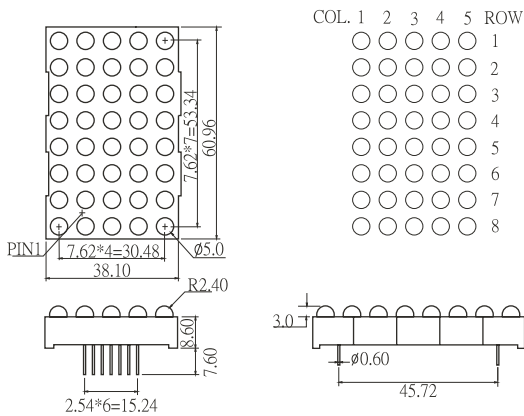
**A05585**



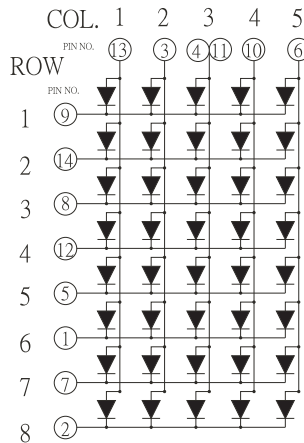
**C05585**



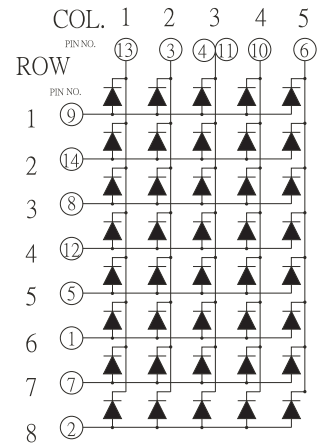
**C/A 05586**



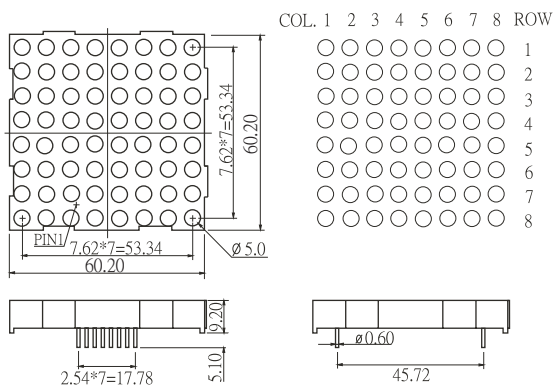
**A05586**



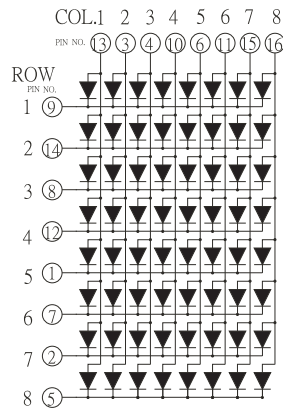
**C05586**



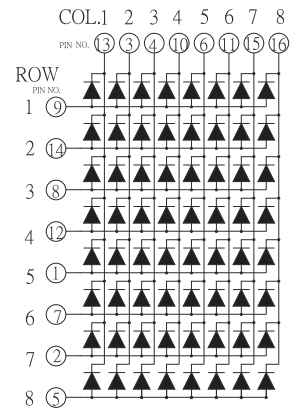
**C/A 05881**



**A05881**

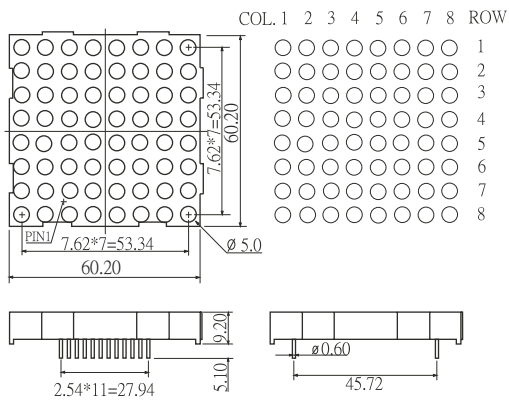


**C05881**

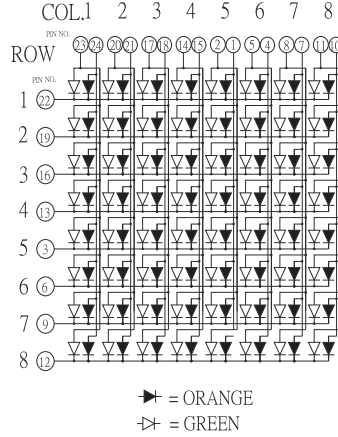


Notes: 1. All dimensions are in millimeter (inches), tolerance is 0.25 unless otherwise noted.  
2. Specifications are subject to change without notice.

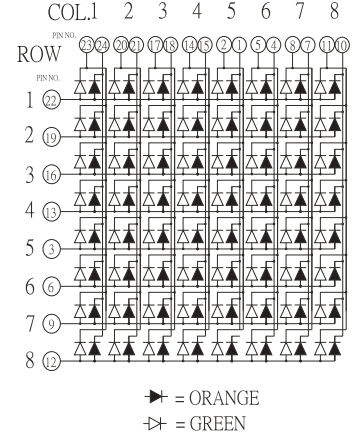
**C/A 05882**



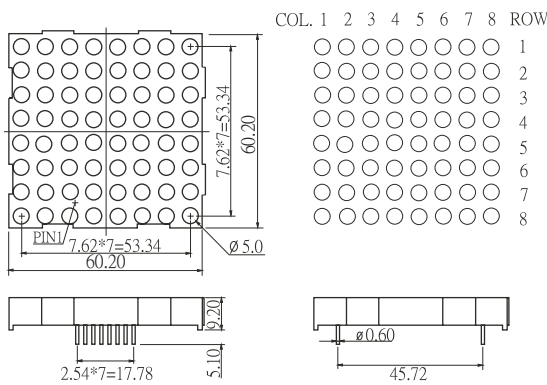
**A05882**



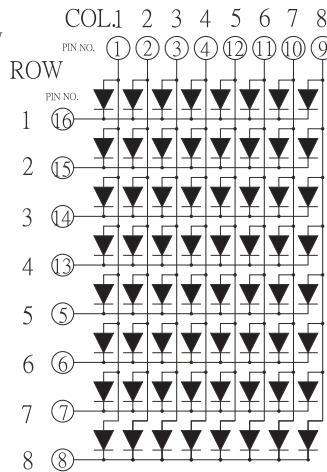
**C05882**



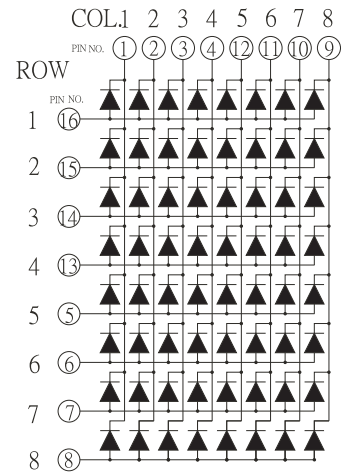
**C/A 05883**



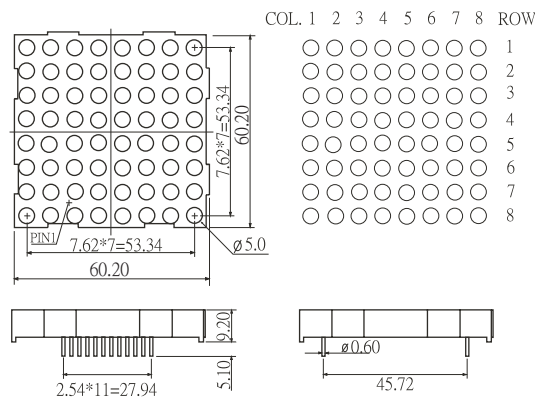
**A05883**



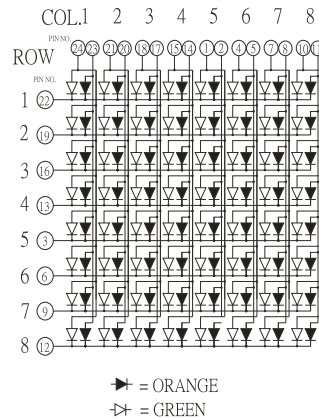
**C05883**



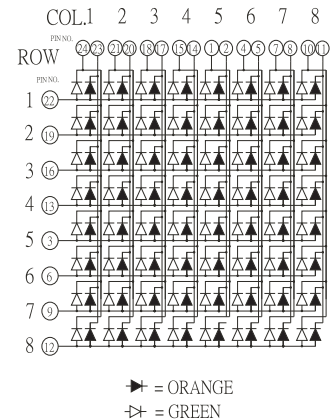
**C/A 05884**



**A5884**

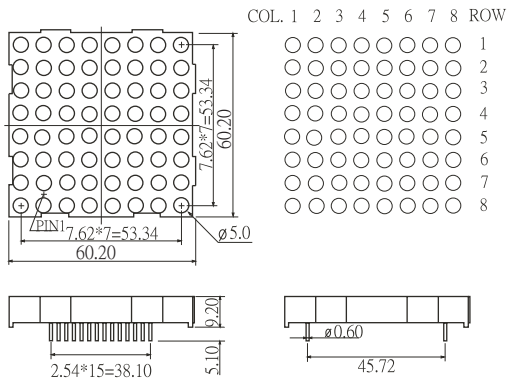


**C05884**

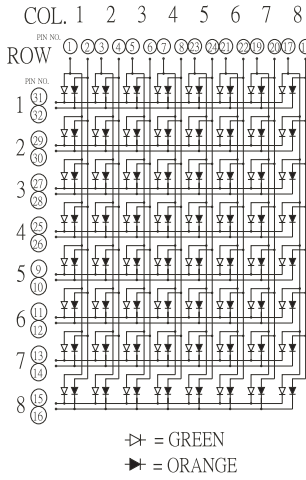


Notes: 1. All dimensions are in millimeter (inches), tolerance is 0.25 unless otherwise noted.  
2. Specifications are subject to change without notice.

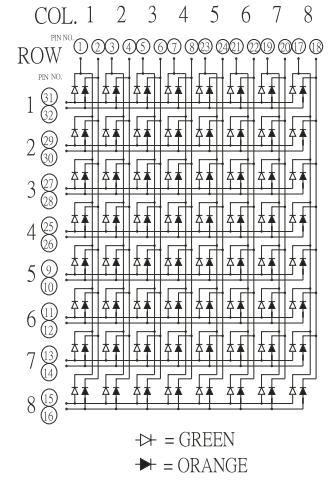
**C/A 05885**



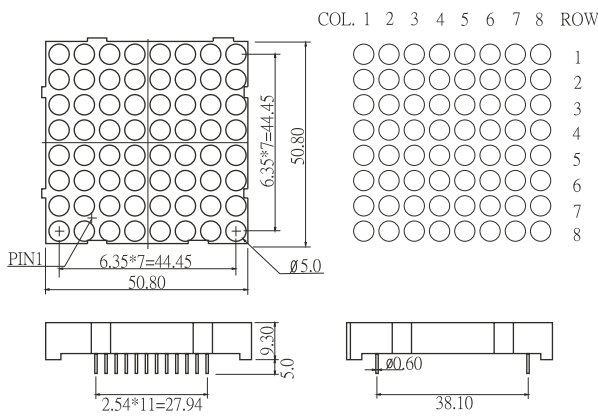
**A05885**



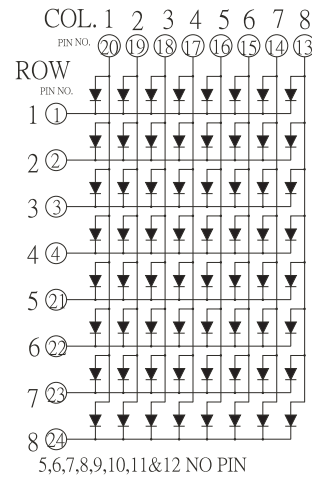
**C05885**



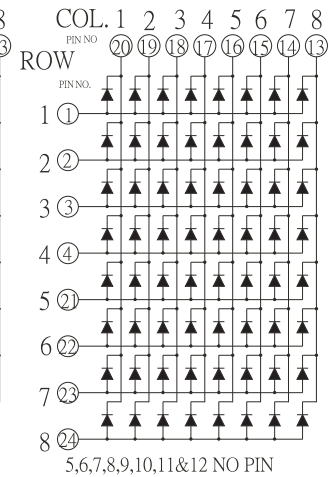
**C/A 05886**



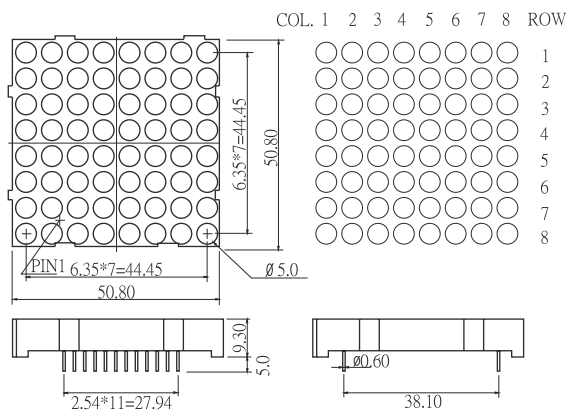
**A05886**



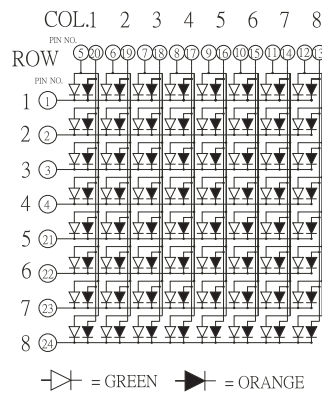
**C05886**



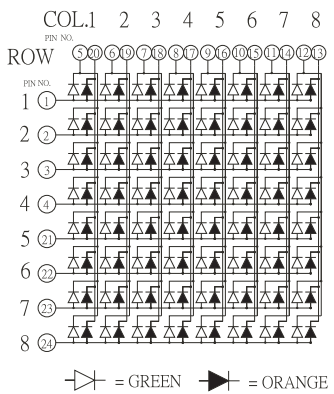
**C/A 05887**



**A05887**

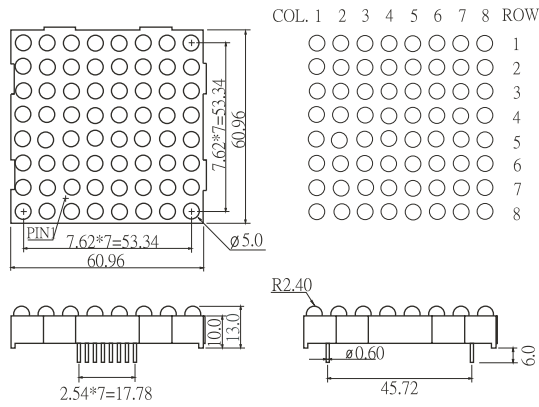


**C05887**

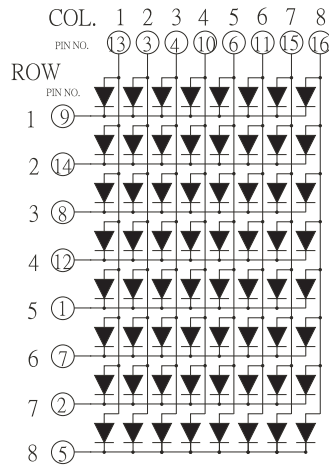


Notes: 1. All dimensions are in millimeter (inches), tolerance is 0.25 unless otherwise noted.  
2. Specifications are subject to change without notice.

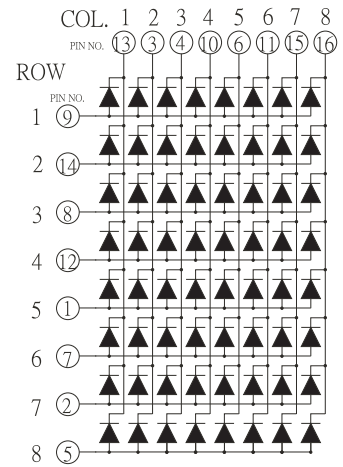
**C/A 05888**



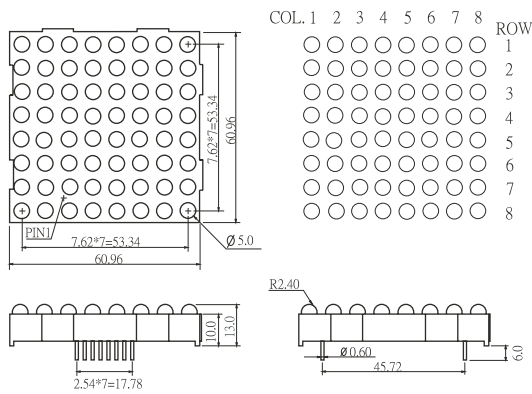
**A05888**



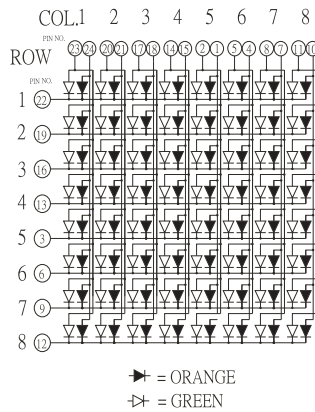
**C05888**



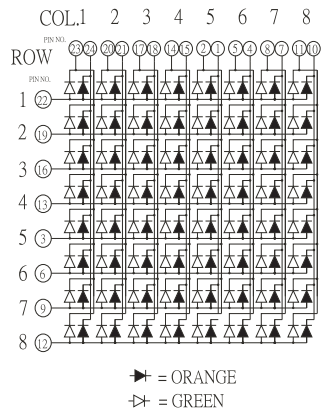
**C/A 05889**



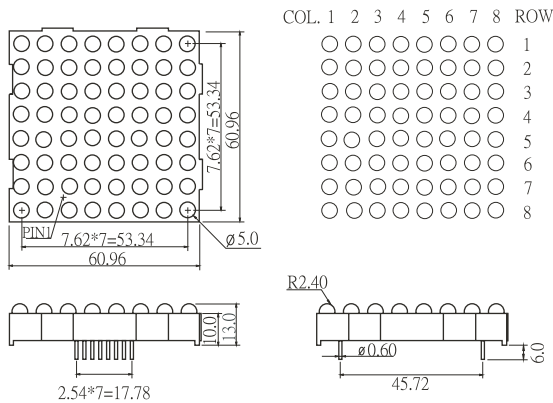
**A05889**



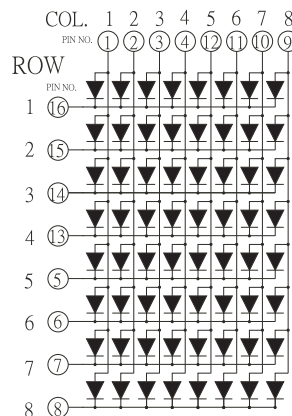
**C05889**



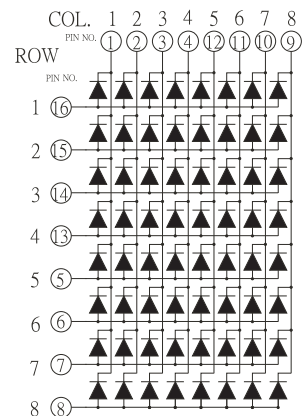
**C/A 058810**



**A058810**

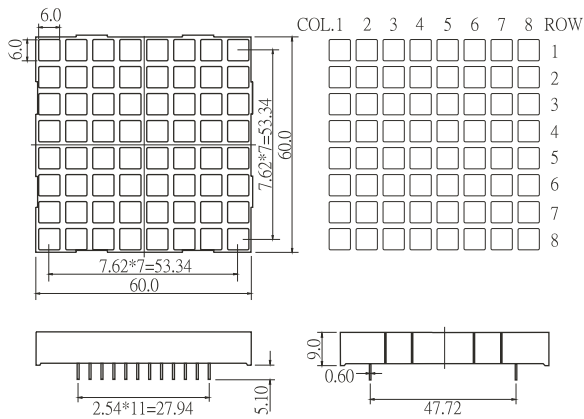


**C058810**

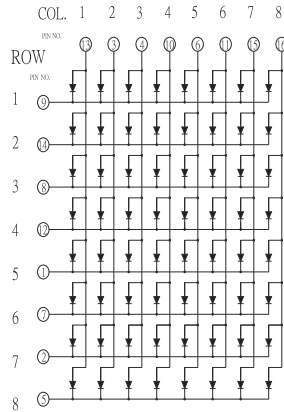


Notes: 1. All dimensions are in millimeter (inches), tolerance is 0.25 unless otherwise noted.  
2. Specifications are subject to change without notice.

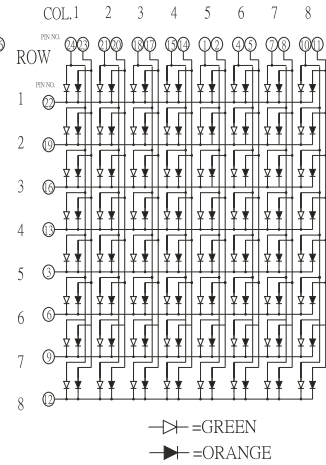
**C/A 058811**



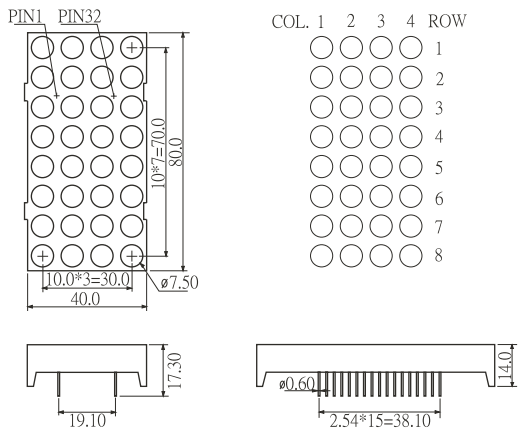
**A058811**



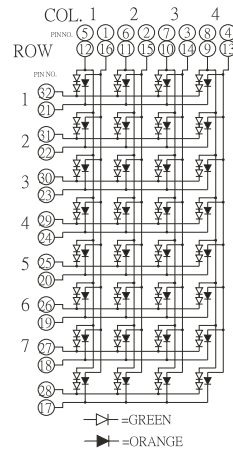
**C058811**



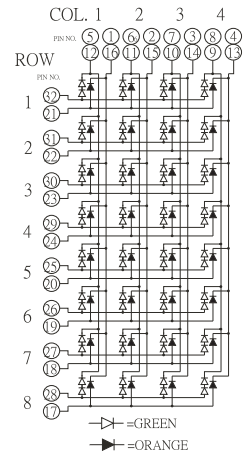
**C/A 07481**



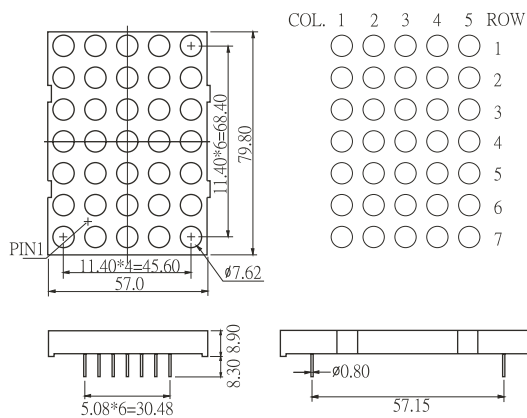
**A07481**



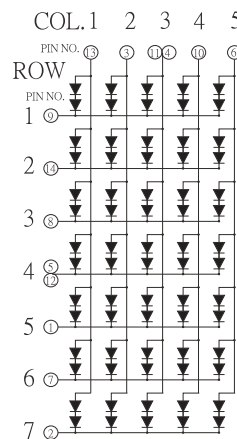
**C07481**



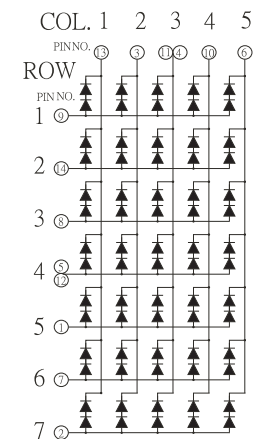
**C/A 07571**



**A07571**



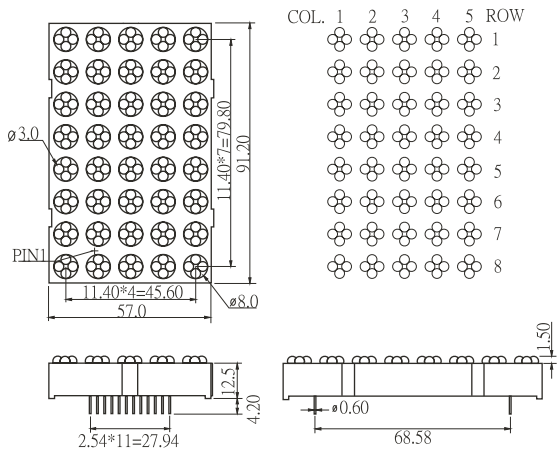
**C07571**



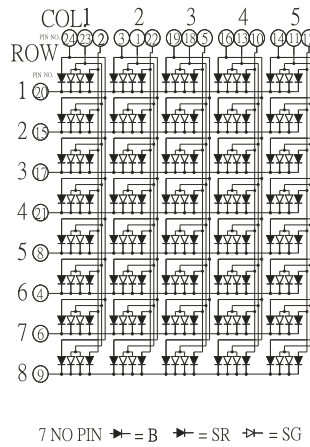
Notes: 1. All dimensions are in millimeter (inches), tolerance is 0.25 unless otherwise noted.  
2. Specifications are subject to change without notice.



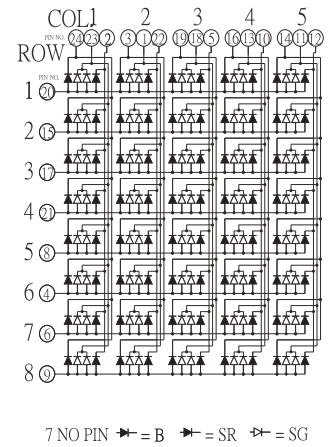
**C/A 08581**



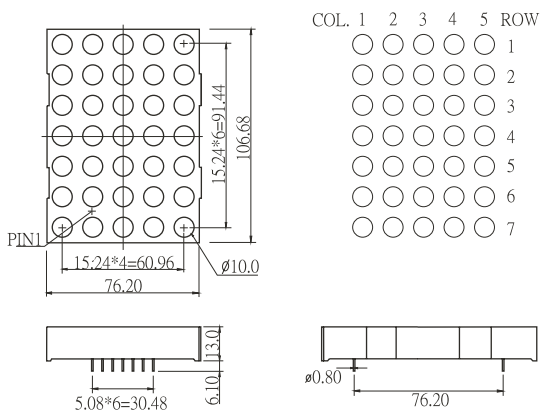
**A08581**



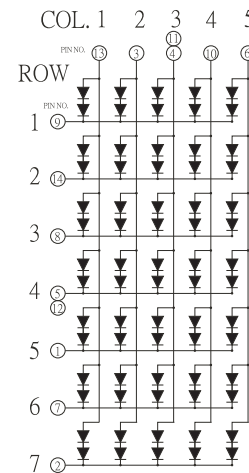
**C08581**



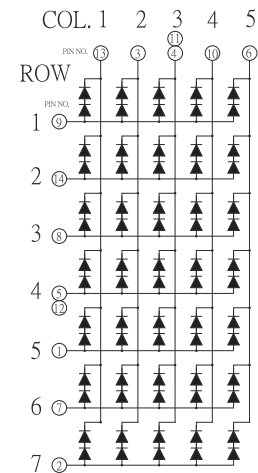
**C/A 10571**



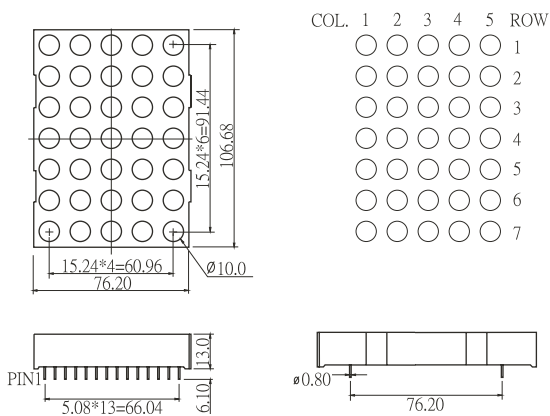
**A10571**



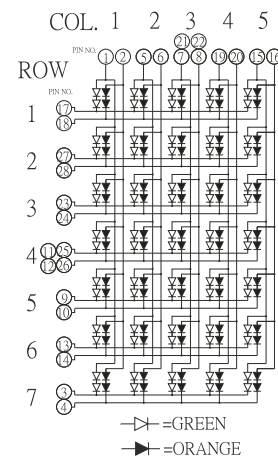
**C10571**



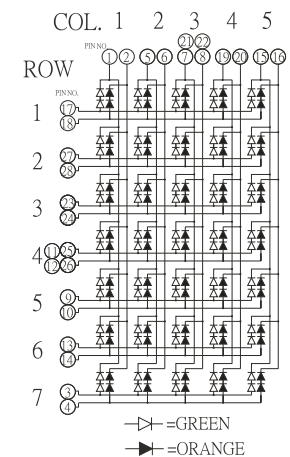
**C/A 10572**



**A10572**

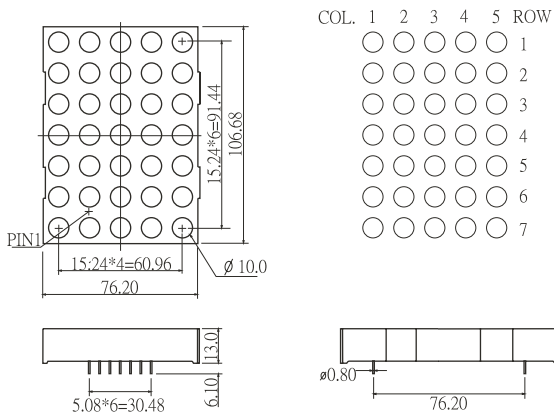


**C10572**

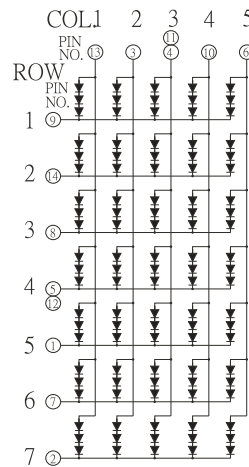


Notes: 1. All dimensions are in millimeter (inches), tolerance is 0.25 unless otherwise noted.  
2. Specifications are subject to change without notice.

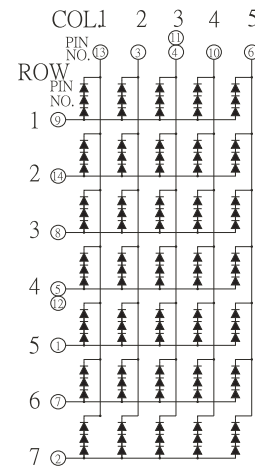
**C/A 10573**



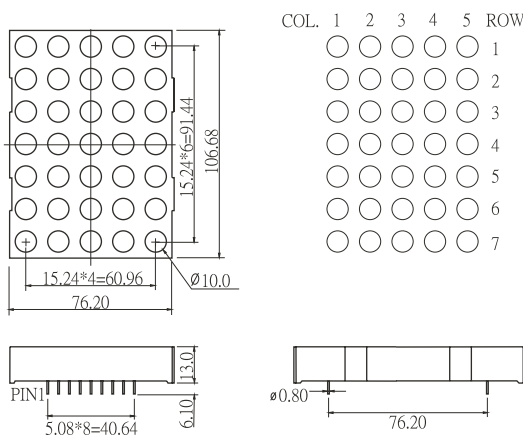
**A10573**



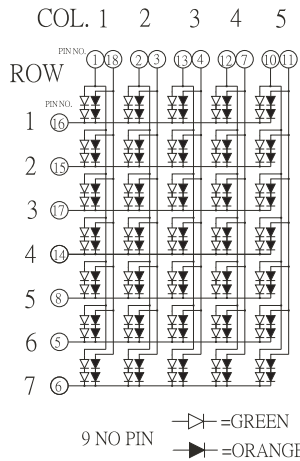
**C10573**



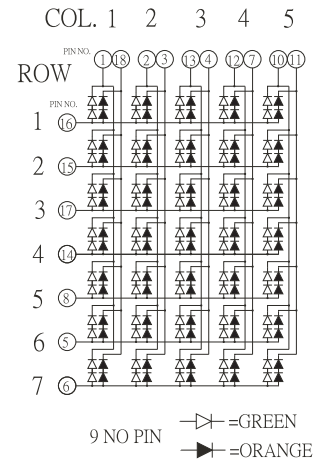
**C/A 10574**



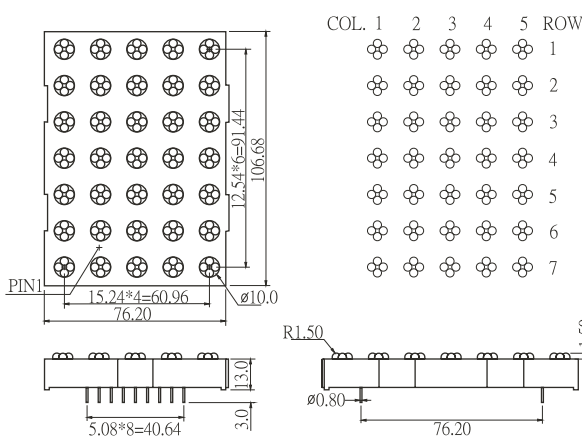
**A10574**



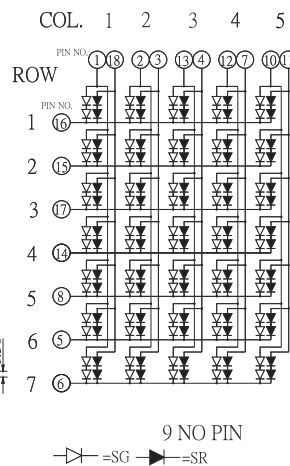
**C10574**



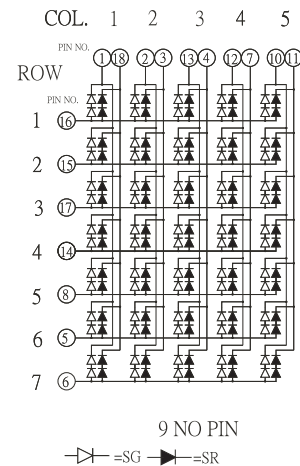
**C/A 10575**



**A10575**

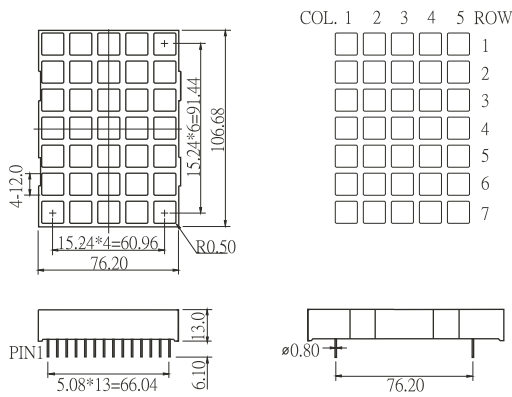


**C10575**

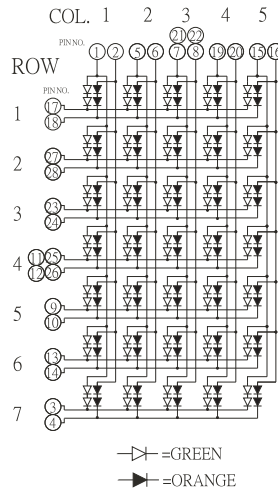


Notes: 1. All dimensions are in millimeter (inches), tolerance is 0.25 unless otherwise noted.  
2. Specifications are subject to change without notice.

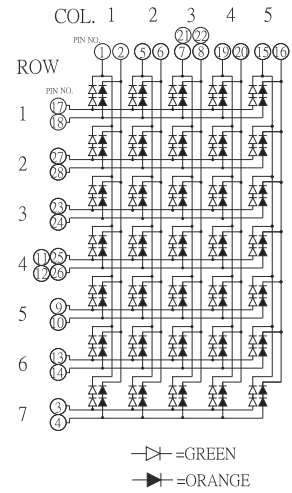
**C/A 10576**



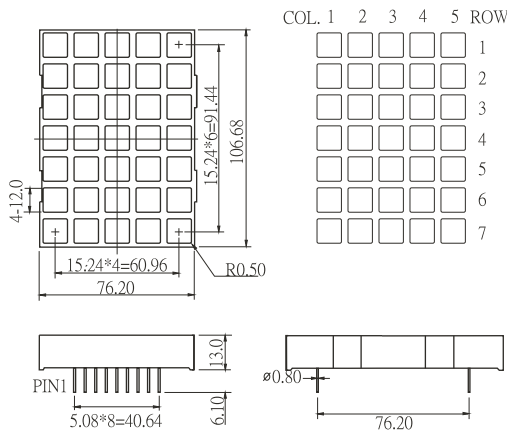
**A10576**



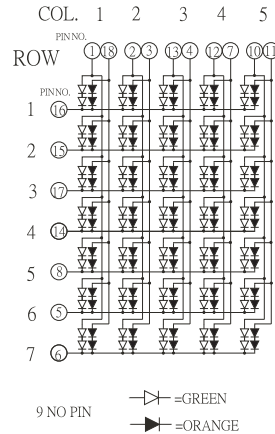
**C10576**



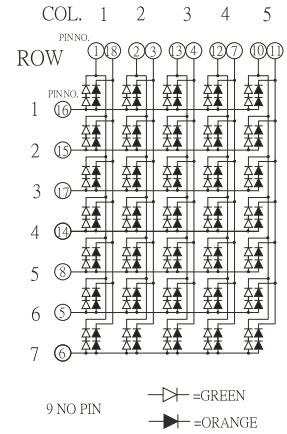
**C/A 10577**



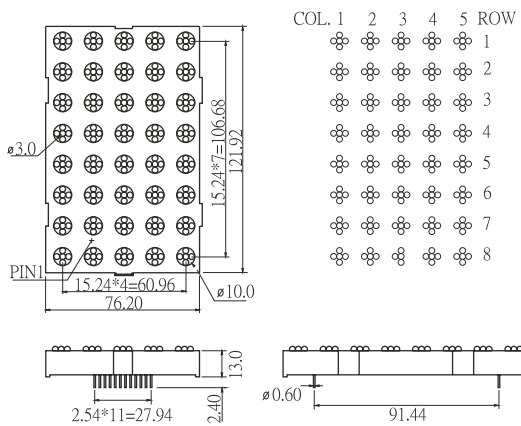
**A10577**



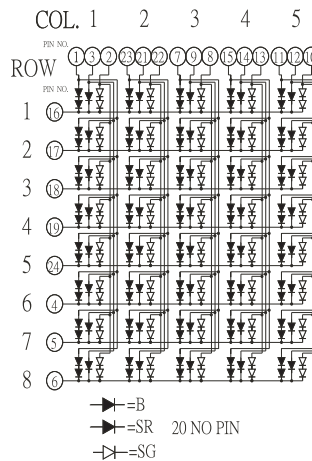
**C10577**



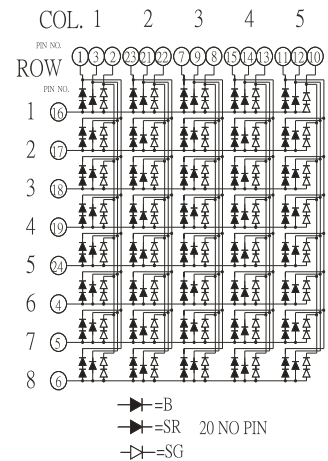
**C/A 10581**



**A10581**

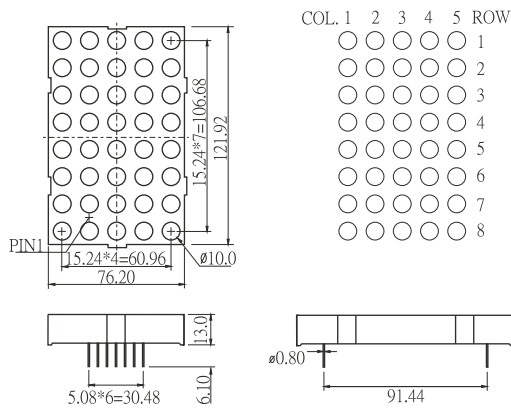


**C10581**

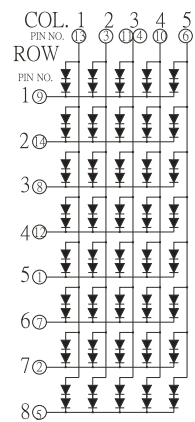


Notes: 1. All dimensions are in millimeter (inches), tolerance is 0.25 unless otherwise noted.  
2. Specifications are subject to change without notice.

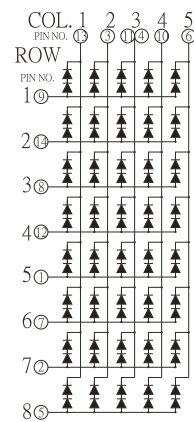
**C/A M10582**



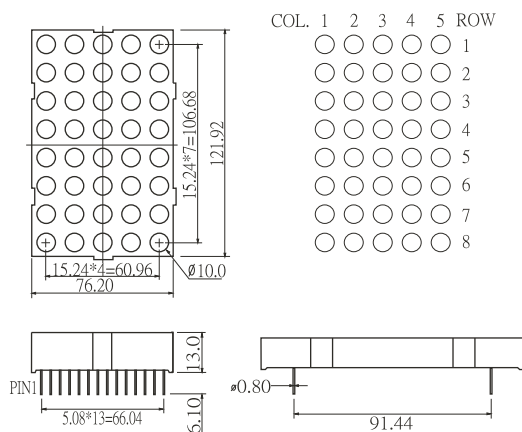
**AM10582**



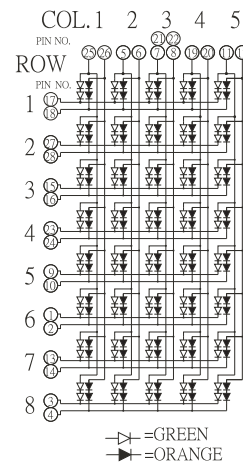
**CM10582**



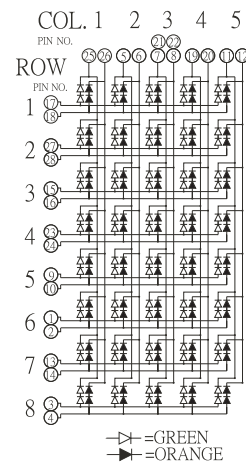
**C/A M10583**



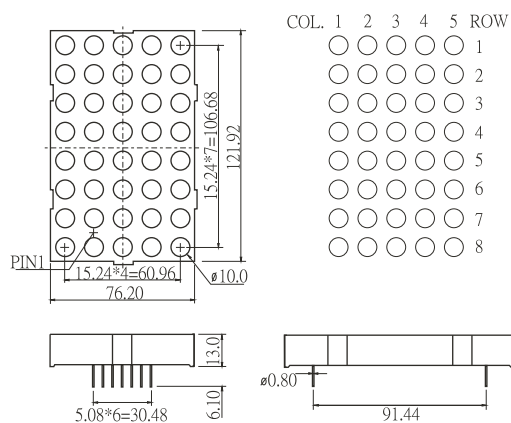
**AM10583**



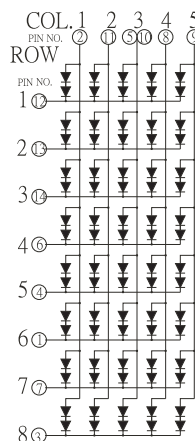
**CM10583**



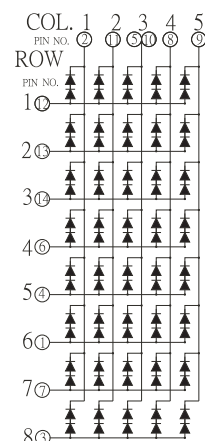
**C/A M10584**



**AM10584**

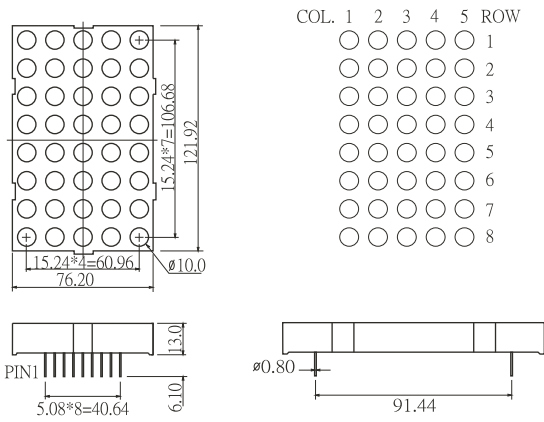


**CM10584**

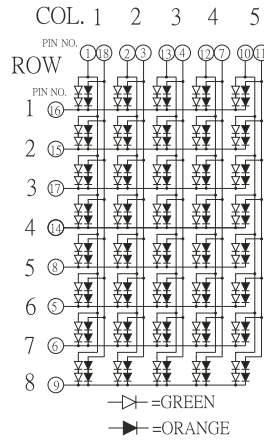


Notes: 1. All dimensions are in millimeter (inches), tolerance is 0.25 unless otherwise noted.  
2. Specifications are subject to change without notice.

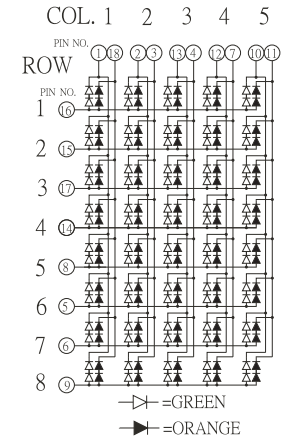
**C/A M10585**



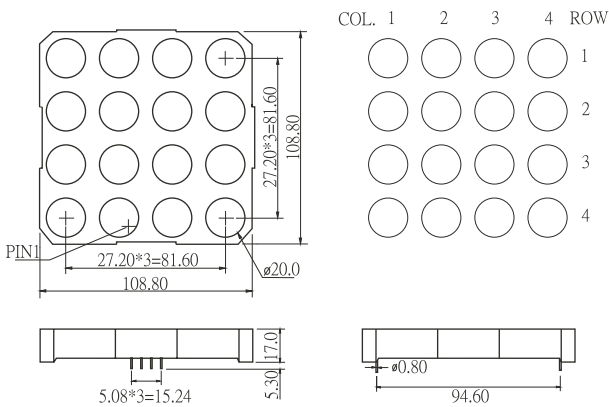
**AM10585**



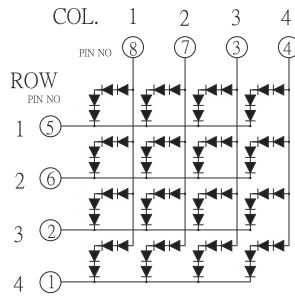
**CM10585**



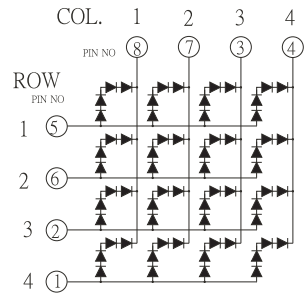
**C/A M20441**



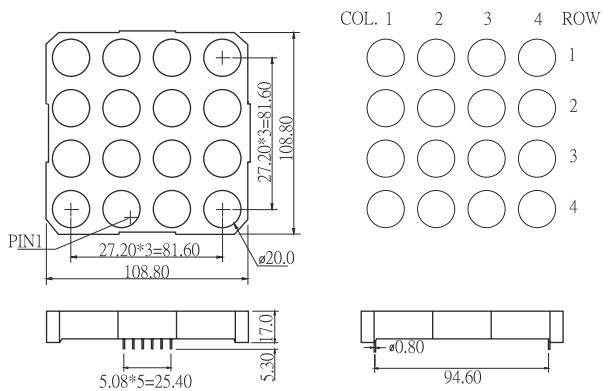
**AM20441**



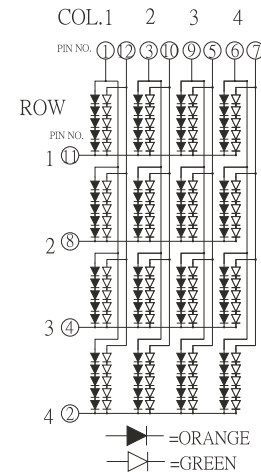
**CM20441**



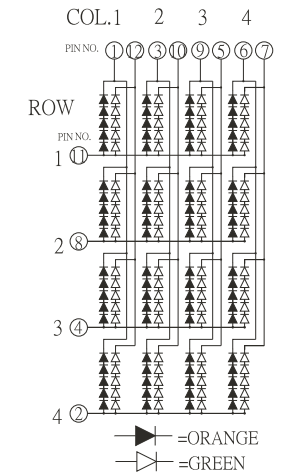
**C/A M20442**



**AM20442**

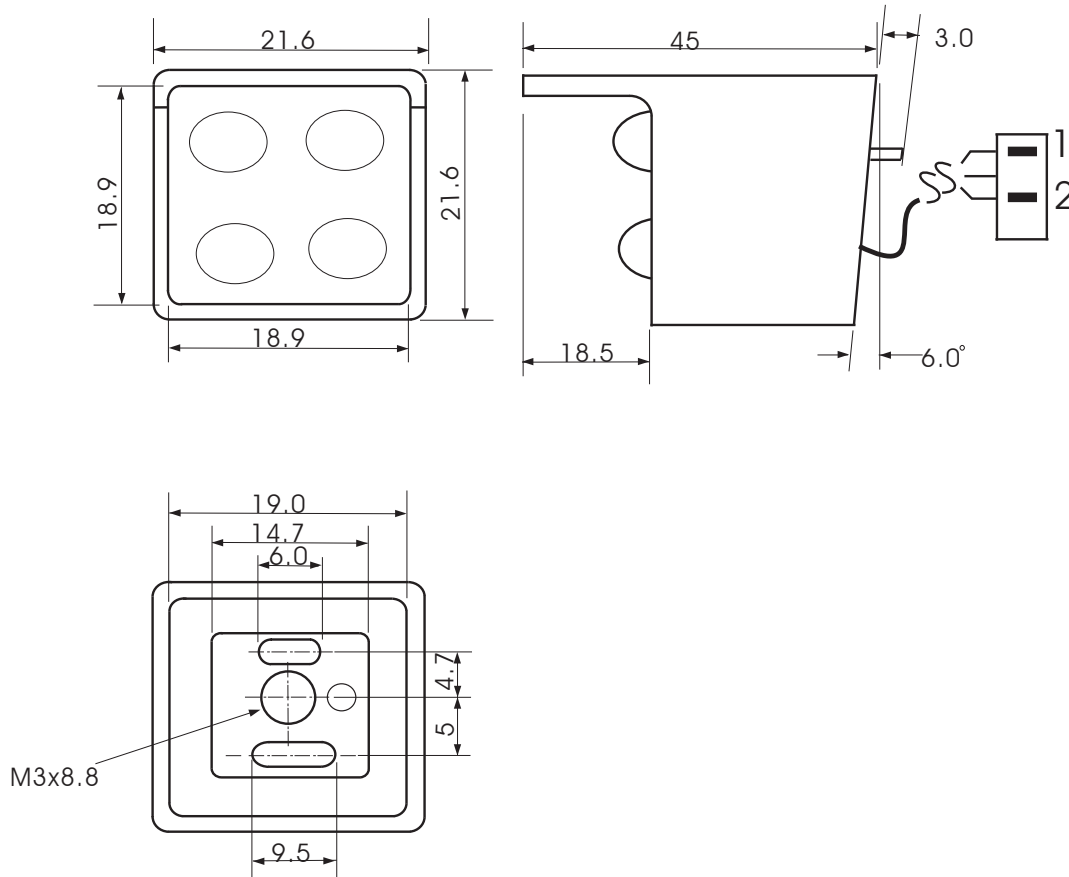


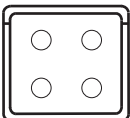

**CM20442**



Notes: 1. All dimensions are in millimeter (inches), tolerance is 0.25 unless otherwise noted.  
2. Specifications are subject to change without notice.

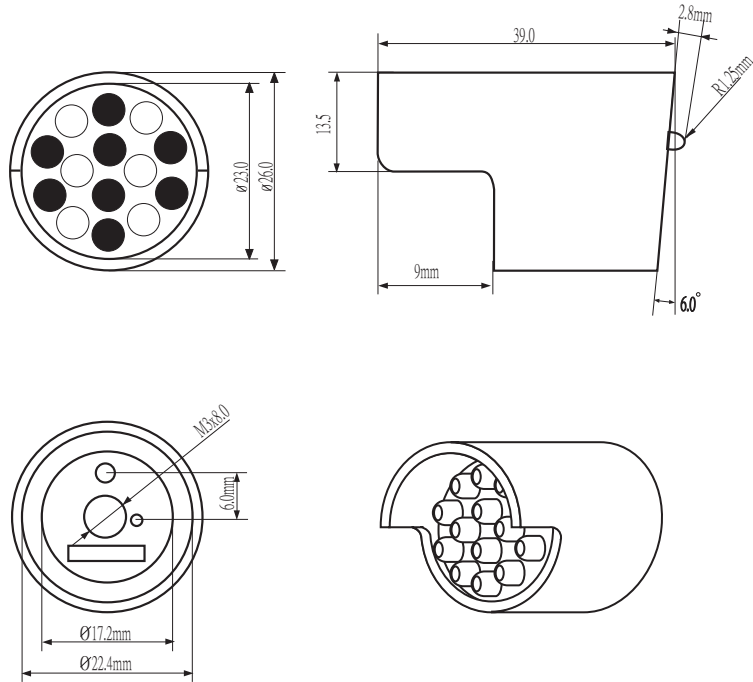
R22



PART NUMBER	LAMP QTY	COLOR	TEST CONDITION	$\lambda_p$ (nm) TYP.	$V_f$ (V) TYP.	$I_v$ (mcd) TYP.	VIEWING ANGLE	INTERNAL CIRCUIT
R22R4 	4	RED ○	$I_f=20\text{mA}$	625	9.0	2000	70°/ 35°	2-  1

Notes: 1. All dimensions are in millimeter (inches), tolerance is 0.25 unless otherwise noted.  
2. Specifications are subject to change without notice.

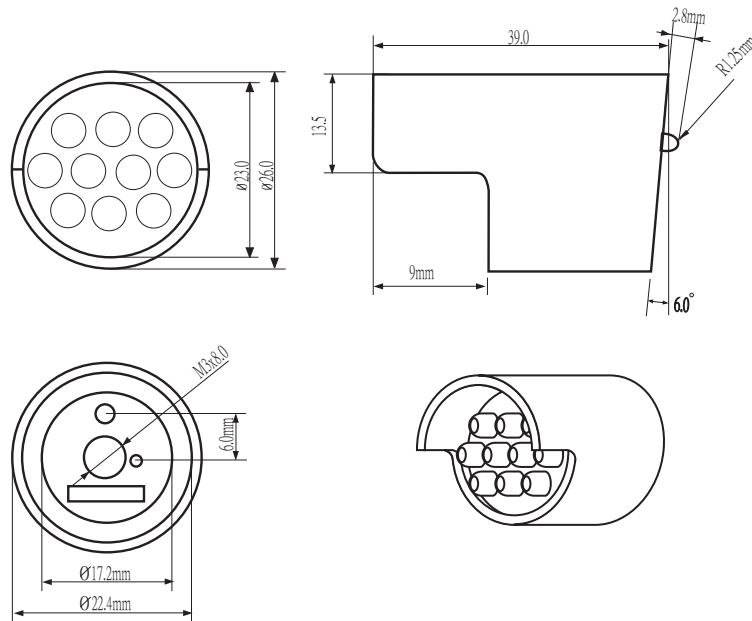
S26

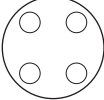


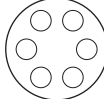

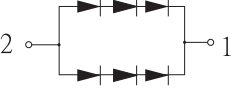


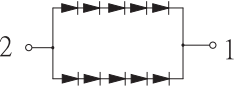




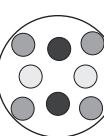

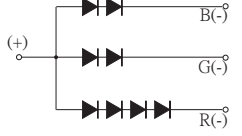




PART NUMBER	LAMP QTY	COLOR	TEST CONDITION	$\lambda_p$ (nm) TYP.	V <sub>f</sub> (V) TYP.	I <sub>v</sub> (mcd) TYP.	VIEWING ANGLE	INTERNAL CIRCUIT
S26R2G10B1	2	RED ●	I <sub>f</sub> =20mA	660	3.6	700	50°	
	1	BLUE ○	I <sub>f</sub> =20mA	430	3.6	350	50°	
	10	GREEN ○	I <sub>f</sub> =40mA	568	11	2500	50°	
S26R5G8	5	RED ●	I <sub>f</sub> =20mA	660	9.0	1500	50°	
	8	GREEN ○	I <sub>f</sub> =40mA	568	8.8	1600	50°	
S26R8Y6	8	Red ●	I <sub>f</sub> =20mA	660	10.8	1800	50°	
	6	Yellow ○	I <sub>f</sub> =60mA	568	8.8	1600	50°	
S26R6G8	6	Red ●	I <sub>f</sub> =20mA	660	11	1600	50°	
	8	Green ○	I <sub>f</sub> =40mA	568	8.8	2800	50°	
S26R4G8B9	4	RED ●	I <sub>f</sub> =20mA	660	7.4	1800	50°	
	9	BLUE ○	I <sub>f</sub> =40mA	430	11.4	300	50°	
	8	GREEN ○	I <sub>f</sub> =40mA	565	8.8	1200	50°	

Notes: 1. All dimensions are in millimeter (inches) , tolerance is 0.25 unless otherwise noted.  
2.Specifications are subject to change without notice.

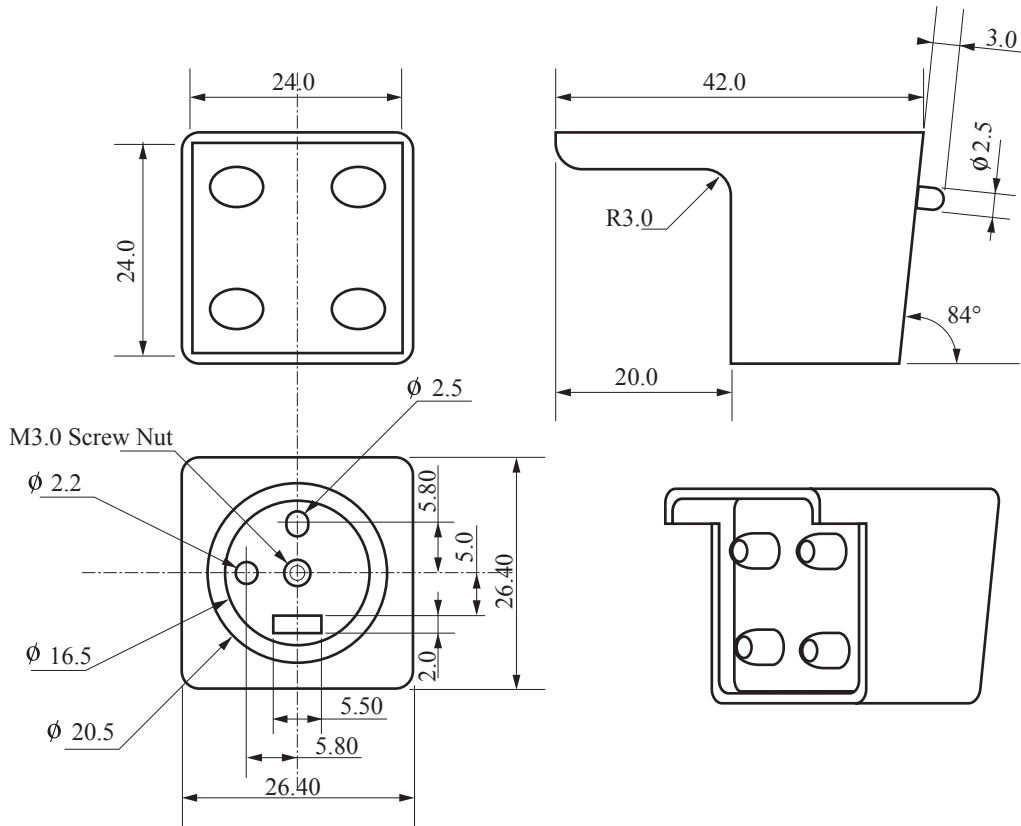
**S26**



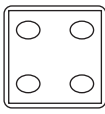
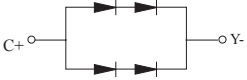
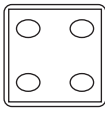

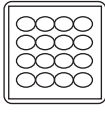
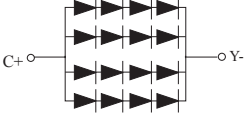
PART NUMBER	LAMP QTY	COLOR	TEST CONDITION	$\lambda_p$ (nm) TYP.	$V_f$ (V) TYP.	$I_v$ (mcd) TYP.	VIEWING ANGLE	INTERNAL CIRCUIT
S26PG4 	4	PURE GREEN 	$I_f=120\text{mA}$	525	20	140000	70°	
S26B6 	6	BLUE 	$I_f=40\text{mA}$	465	3.5x3	2400	60°	
S26R10 	10	RED 	$I_f=40\text{mA}$	660	9.0	48000	70°	
S26G10 	10	GREEN 	$I_f=80\text{mA}$	568	9.0	7000	70°	
S26Y10 	10	YELLOW 	$I_f=40\text{mA}$	525	17.0	35000	70°	
S26R4G2B2 	4	RED 	$I_f=20\text{mA}$	623	8.5	4 x 400	110°/45°	
	2	GREEN 	$I_f=20\text{mA}$	525	6.3	2 x 1400	110°/45°	
	2	BLUE 	$I_f=20\text{mA}$	470	6.4	2 x 320	110°/45°	

Notes: 1. All dimensions are in millimeter (inches), tolerance is 0.25 unless otherwise noted.  
2. Specifications are subject to change without notice.

**R26**

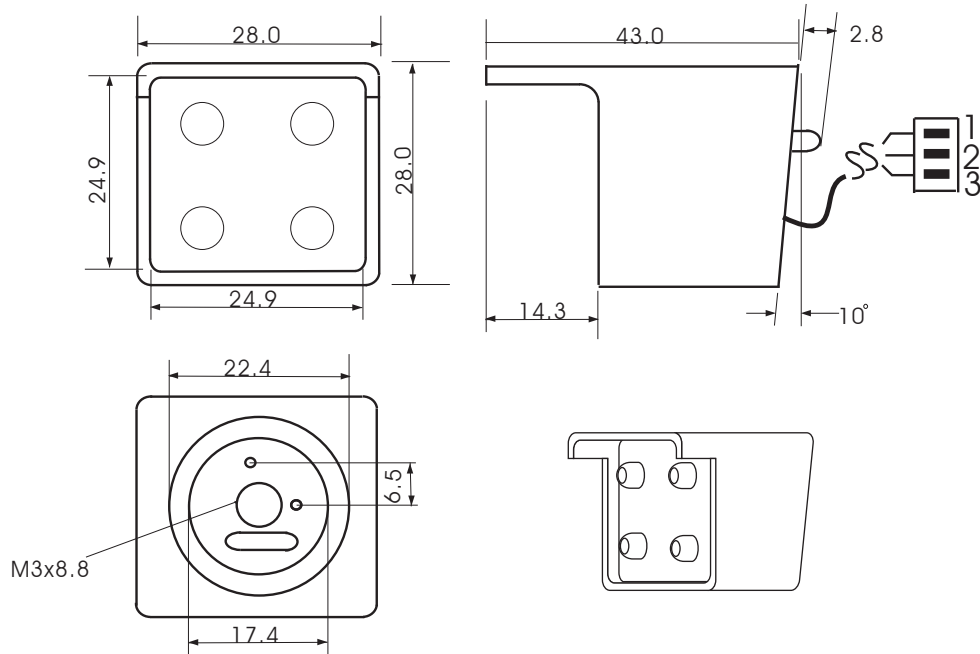


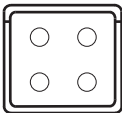

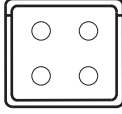

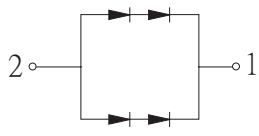
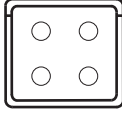

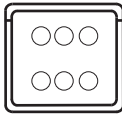

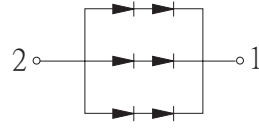
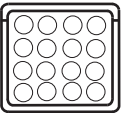

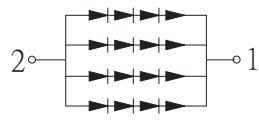
NOTES: 1. All dimensions are in millimeters.  
2. Tolerance are +/- 0.25mm unless otherwise noted.

PART NUMBER	LAMP QTY	COLOR	TEST CONDITION	$\lambda_p$ (nm) TYP.	$V_f$ (V) TYP.	$I_v$ (mcd) TYP.	VIEWING ANGLE	INTERNAL CIRCUIT
R26PG4 	4	PURE GREEN ○	$I_f=60\text{mA}$	525	3.5x2	1500x4	70°/35°	
R26Y4 	4	YELLOW ○	$I_f=60\text{mA}$	595	2.2x2	1500x4	70°/35°	
R26R16 	16	RED ○	$I_f=120\text{mA}$	630	2.0x4	1000x16	70°/35°	

Notes: 1. All dimensions are in millimeter (inches) , tolerance is 0.25 unless otherwise noted.  
2. Specifications are subject to change without notice.

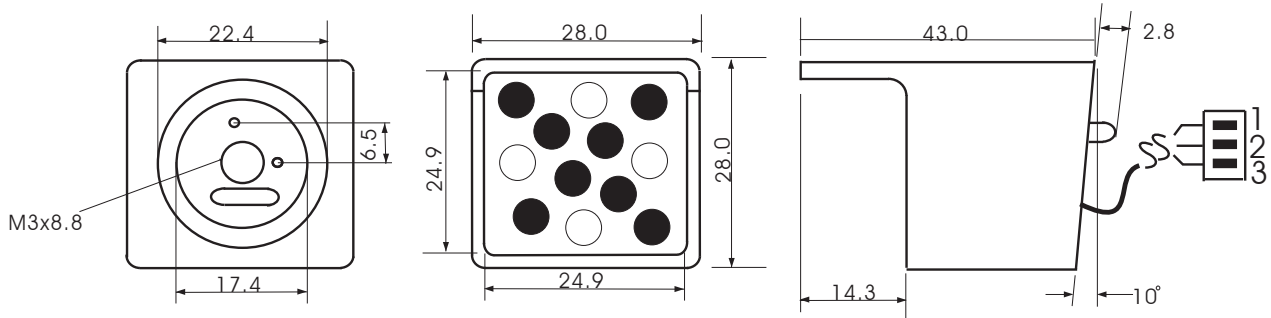
**R28**



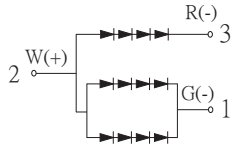
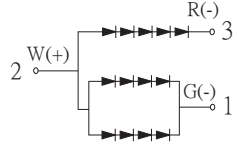
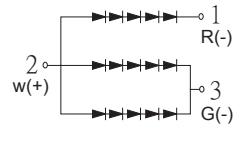
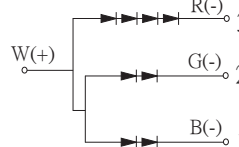
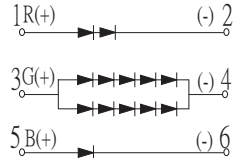
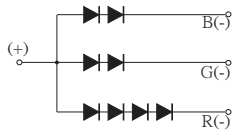
PART NUMBER	LAMP QTY	COLOR	TEST CONDITION	$\lambda_p$ (nm) TYP.	$V_f$ (V) TYP.	$I_v$ (mcd) TYP.	VIEWING ANGLE	INTERNAL CIRCUIT
R28R4 	4	Red 	$I_f=60\text{mA}$	625	4.4	10000	30°	
R28PG4 	4	PURE GREEN 	$I_f=40\text{mA}$	525	6.8	4 x 1250	110°	
R28Y4 	4	YELLOW 	$I_f=40\text{mA}$	589	4.2	4 x 1500	110°	
R28R6 	6	Red 	$I_f=60\text{mA}$	625	4.4	15000	30°	
R28R16 	16	RED 	$I_f=80\text{mA}$	660	7.2	16 x 875	50°	

Notes: 1. All dimensions are in millimeter (inches), tolerance is 0.25 unless otherwise noted.  
2. Specifications are subject to change without notice.

**R28**

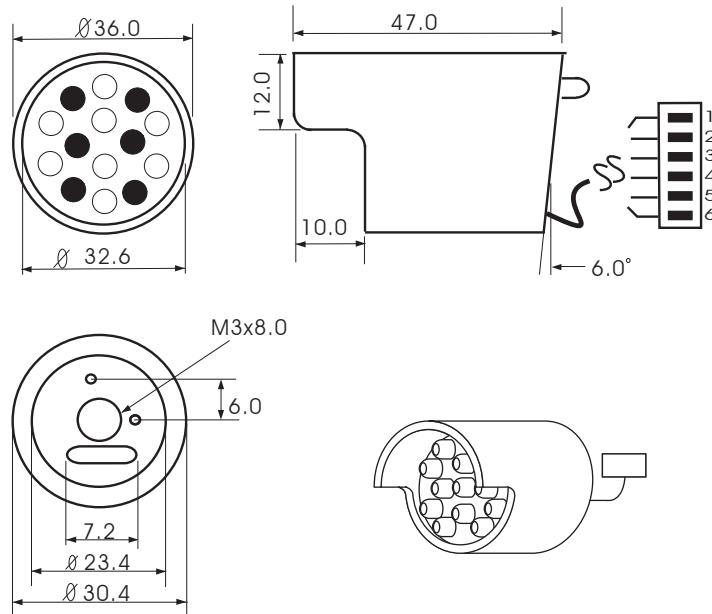


NOTES: 1. All dimensions are in millimeters. 2. Tolerance are +/- 0.25mm unless otherwise noted.

PART NUMBER	LAMP QTY	COLOR	TEST CONDITION	$\lambda_p$ (nm) TYP.	$V_f$ (V) TYP.	$I_v$ (mcd) TYP.	VIEWING ANGLE	INTERNAL CIRCUIT
R28R8PG4	8	RED ●	$I_f=20\text{mA}$	660	9.0	8 x 188	50°	
	4	PURE GREEN ○	$I_f=40\text{mA}$	568	8.8	4 x 400	50°	
R28R5G8	5	RED ●	$I_f=20\text{mA}$	660	10.8	5 x 360	50°	
	8	GREEN ○	$I_f=60\text{mA}$	568	8.8	8 x 200	50°	
R28R5G10	5	Red ●	$I_f=20\text{mA}$	625	11	10000	30°	
	10	Green ○	$I_f=40\text{mA}$	570	11	10000	30°	
R28R4PG2B2	4	RED ●	$I_f=20\text{mA}$	623	8.4	4 x 400	70°	
	2	PURE GREEN ○	$I_f=20\text{mA}$	525	7.0	2 x 1400	70°	
	2	BLUE ○	$I_f=20\text{mA}$	470	7.2	2 x 320	70°	
R28R2G10B1	2	RED ●	$I_f=20\text{mA}$	660	3.6	2 x 350	50°	
	1	BLUE ○	$I_f=20\text{mA}$	430	3.6	1 x 350	50°	
	10	GREEN ○	$I_f=40\text{mA}$	568	11	10 x 250	50°	
R28R4G2B2	4	RED ○	$I_f=20\text{mA}$	623	8.5	4 x 400	110°/45°	
	2	GREEN ○	$I_f=20\text{mA}$	525	6.3	2 x 1400	110°/45°	
	2	BLUE ●	$I_f=20\text{mA}$	470	6.4	2 x 320	110°/45°	

Notes: 1. All dimensions are in millimeter (inches) , tolerance is 0.25 unless otherwise noted.  
2. Specifications are subject to change without notice.

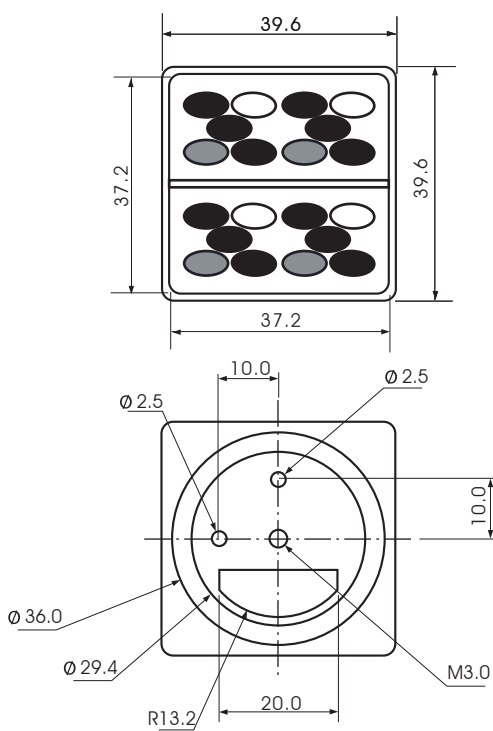
**S36**



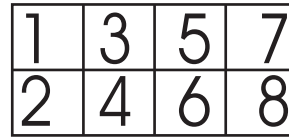
PART NUMBER	LAMP QTY	COLOR	TEST CONDITION	$\lambda_p$ (nm) TYP.	$V_f$ (V) TYP.	$I_v$ (mcd) TYP.	VIEWING ANGLE	INTERNAL CIRCUIT
S26R5G8	5	RED ●	$I_f=20\text{mA}$	660	9.0	1500	50°	
	8	Green ○	$I_f=40\text{mA}$	568	8.8	1600	50°	
S26R6G8	6	RED ●	$I_f=20\text{mA}$	660	11	1600	50°	
	8	Green ○	$I_f=40\text{mA}$	568	8.8	2800	50°	
S26R8Y6	8	RED ●	$I_f=20\text{mA}$	660	10.8	1800	50°	
	6	Yellow ○	$I_f=60\text{mA}$	568	8.8	1600	50°	
S26R2G10B1	2	RED ●	$I_f=20\text{mA}$	660	3.6	700	50°	
	10	GREEN ○	$I_f=40\text{mA}$	565	11	2500	50°	
	1	BLUE ◊	$I_f=20\text{mA}$	430	3.6	350	50°	
S26R4G8B9	4	RED ●	$I_f=20\text{mA}$	660	7.4	1800	50°	
	8	GREEN ○	$I_f=40\text{mA}$	565	8.8	1200	50°	
	9	BLUE ◊	$I_f=40\text{mA}$	430	11.4	300	50°	
S36R8G4B4	8	RED ○	$I_f=40\text{mA}$	623	8.5	8 x 400	110°/45°	
	4	GREEN ●	$I_f=40\text{mA}$	525	6.3	4 x 1400	110°/45°	
	4	BLUE ●	$I_f=40\text{mA}$	470	6.4	4 x 320	110°/45°	

Notes: 1. All dimensions are in millimeter (inches), tolerance is 0.25 unless otherwise noted.  
2. Specifications are subject to change without notice.

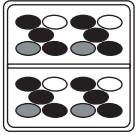


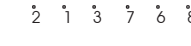
**R39**



PIN Assignment (Pitch 2.0)  
see to the plug holes

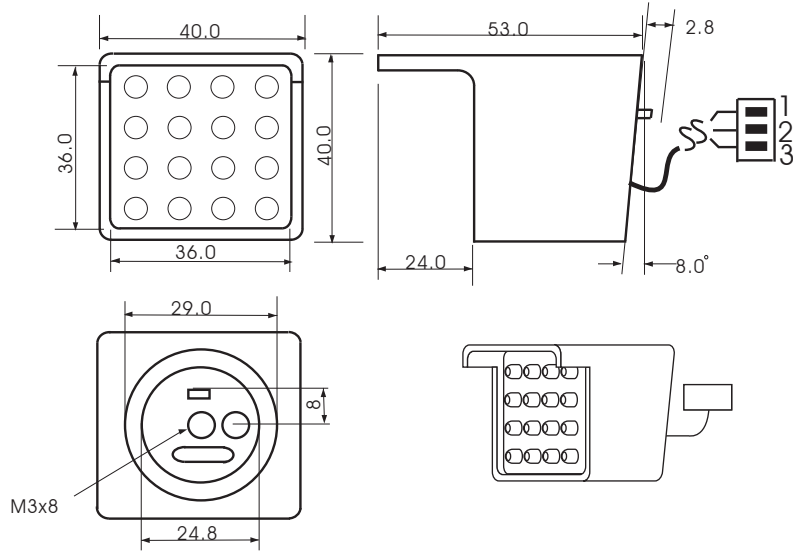


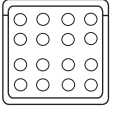
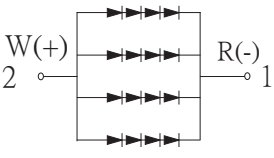
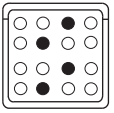
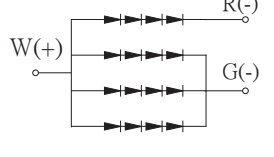
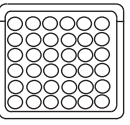
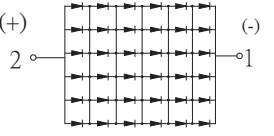
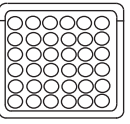
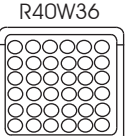
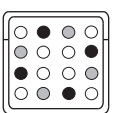
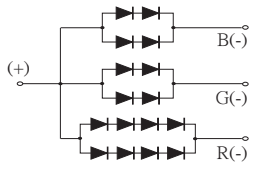
Notes: 1. All dimensions are in millimeter  
2. Tolerance are +/- 0.25 mm unless otherwise noted.

PART NUMBER	LAMP QTY	COLOR	TEST CONDITION	$\lambda_p$ (nm) TYP.	Vf(V) TYP.	Iv(mcd) TYP.	VIEWING ANGLE	INTERNAL CIRCUIT
R39R12G4B4 	12	RED ●	If=20mA	640	2.0*3	300*3	100°/50°	
	4	PURE GREEN ○	If=20mA	525	3.5	1200	100°/50°	
	4	BLUE ●	If=20mA	470	3.5	300	100°/50°	

Notes: 1. All dimensions are in millimeter (inches) , tolerance is 0.25 unless otherwise noted.  
2. Specifications are subject to change without notice.

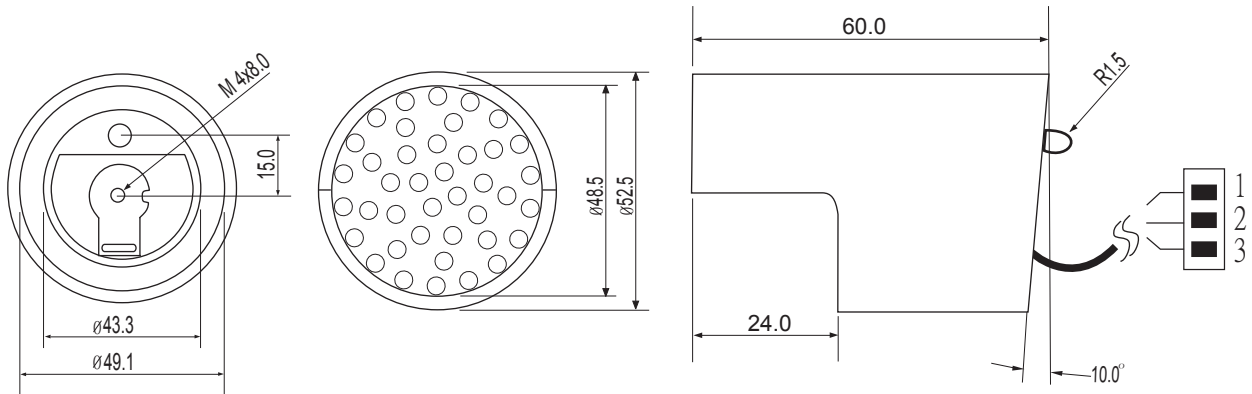
**R40**


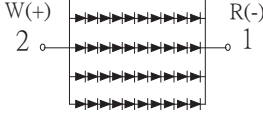

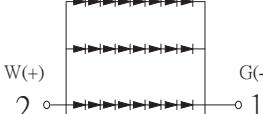

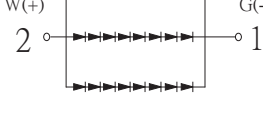
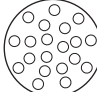
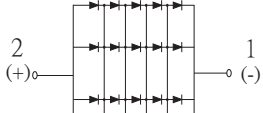

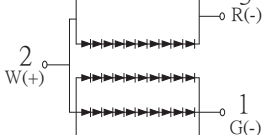
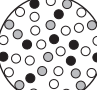
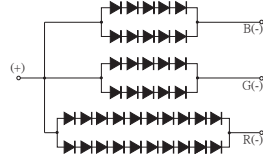


PART NUMBER	LAMP QTY	COLOR	TEST CONDITION	$\lambda_p$ (nm) TYP.	$V_f$ (V) TYP.	$I_v$ (mcd) TYP.	VIEWING ANGLE	INTERNAL CIRCUIT
R40G16 	16	Green ○	$I_f=80\text{mA}$	660	9.0	48000	70°	
R40R4G12 	4	Red ●	$I_f=20\text{mA}$	660	9.0	12000	70°	
	12	Green ○	$I_f=60\text{mA}$	568	9.0	36000	70°	
R40G36 	36	GREEN ○	$I_f=80\text{mA}$	660	9.0	48000	70°	
R40R36 	36	RED ●	$I_f=100\text{mA}$	660	13.5	108000	70°	
R40W36 	36	White ○	$I_f=120\text{mA}$		20	140000	20°	
R40R8G4B4 	8	RED ○	$I_f=40\text{mA}$	623	8.5	8 x 400	110°/45°	
	4	GREEN ●	$I_f=40\text{mA}$	525	6.3	4 x 1400	110°/45°	
	4	BLUE ●	$I_f=40\text{mA}$	470	6.4	4 x 320	110°/45°	

Notes: 1. All dimensions are in millimeter (inches), tolerance is 0.25 unless otherwise noted.  
2. Specifications are subject to change without notice.

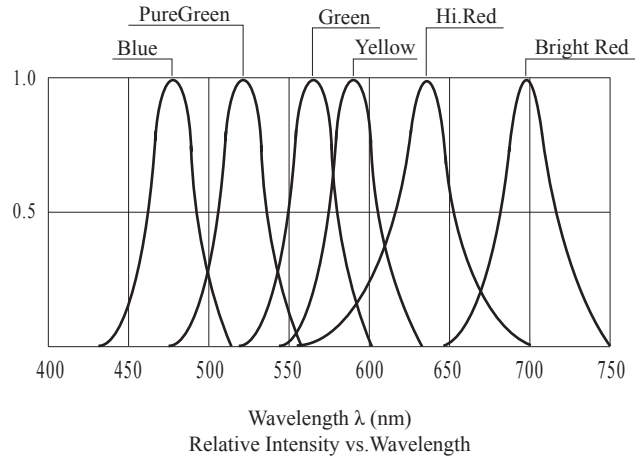
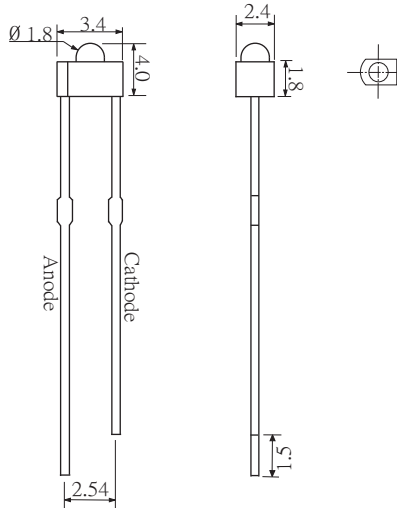
**S52**



PART NUMBER	LAMP QTY	COLOR	TEST CONDITION	$\lambda_p$ (nm) TYP.	V <sub>f</sub> (V) TYP.	I <sub>v</sub> (mcd) TYP.	VIEWING ANGLE	INTERNAL CIRCUIT
S52R20G30 	50	Red ○	I <sub>f</sub> =60mA	660	22.5	7000	50°	
S52G30 	32	Green ○	I <sub>f</sub> =60mA	568	22.5	7500	50°	
S52R30 	32	Red ○	I <sub>f</sub> =60mA	660	22.5	7000	50°	
S52B20-8 	20	Red ○	I <sub>f</sub> =80mA	470	18	6000	50°	
S52R20G30 	20	Red ●	I <sub>f</sub> =40mA	660	18	7000	50°	
	30	Green ○	I <sub>f</sub> =60mA	568	22	7500	50°	
S52R20G10B10 	20	RED ○	I <sub>f</sub> =40mA	623	17	20 x 400	110°/45°	
	10	GREEN ○	I <sub>f</sub> =40mA	525	12.6	10 x 1400	110°/45°	
	10	BLUE ●	I <sub>f</sub> =40mA	470	12.8	10 x 320	110°/45°	

Notes: 1. All dimensions are in millimeter (inches), tolerance is 0.25 unless otherwise noted.  
2. Specifications are subject to change without notice.

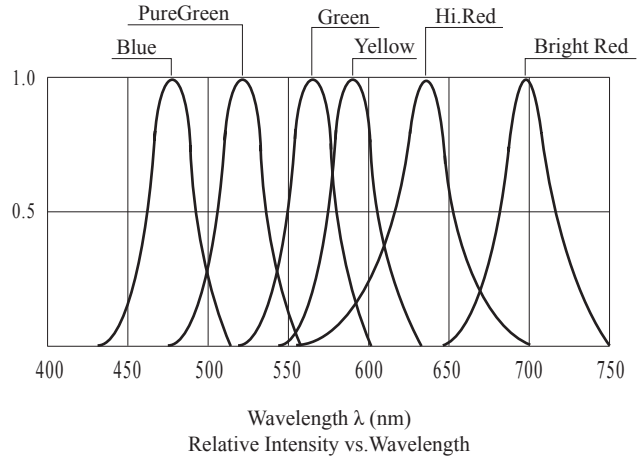
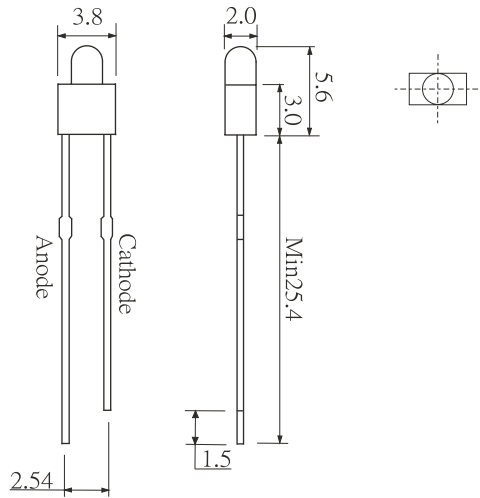
**L020**



Part no.-	Colour	Wave Length	Lens Color (x)	Luminous Intensity (mcd)	Forward Voltage (V)	Forward Current (mA)	0°
L020DxI	Red	632		500	2.15	20	100
L020CxI	Red	632		1500	2.15	20	100
L020AxI-S	Red	632		2500	2.15	20	100
L020AxI-U	Red	632		5800	2.15	20	100
L020AxI-T	Red	632		7800	2.15	20	100
L020KxI	Green	565		500	2.15	20	100
L020JxI	Green	565		1500	2.15	20	100
L020JxI-S	Green	565		2500	2.15	20	100
L020JxI-U	Green	565		6000	3.60	20	100
L020IxI	Yellow	589		1300	2.15	20	100
L020IxI-S	Yellow	589		2500	2.15	20	100
L020IxI-U	Yellow	589		4500	2.15	20	100
L020IxI-T	Yellow	589	W - White	7500	2.15	20	100
L020FxI	Orange	621	D - Diffused	1500	2.30	20	100
L020FxI-S	Orange	621	C - Water Clear	2500	2.30	20	100
L020FxI-U	Orange	621	T - Transparent	3500	2.30	20	100
L020BGxI	Blue / Green	503		3500	3.60	20	100
L020BGxI-U	Blue / Green	503		6500	3.60	20	100
L020BLxI	Blue	470		500	3.60	20	100
L020BHxI	Blue	470		1600	3.60	20	100
L020BUxI	Blue	470		3500	3.60	20	100
L020BXxI	Blue	470		7500	3.60	20	100
L020PGxI	Pure Green	525		2500	3.60	20	100
L020PGxI-S	Pure Green	525		4000	3.60	20	100
L020PGxI-U	Pure Green	525		5500	3.60	20	100
L020PGxI-T	Pure Green	525		7500	3.60	20	100
L020WHxI	White	589		1300	3.60	20	100
L020WUxI	White	----		5200	3.60	20	100
L020WXxI	White	----		7500	3.60	20	100

Notes: 1. All dimensions are in millimeter (inches), tolerance is 0.25 unless otherwise noted.  
2. Specifications are subject to change without notice.

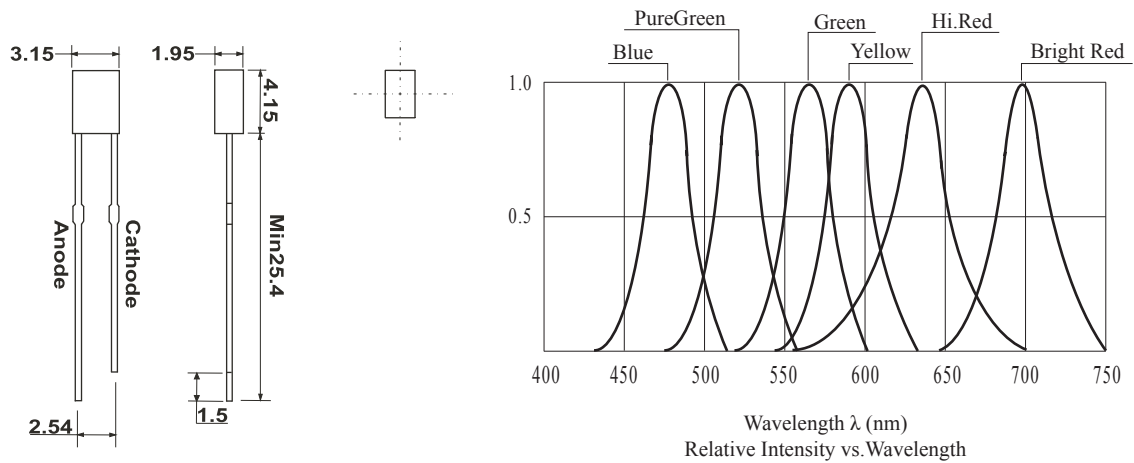
**L021**



Part no.	Colour	Wave Length	Lens Color (x)	Luminous Intensity (mcd)	Forward Voltage ( V )	Forward Current ( mA )	0°
L021DxI	Red	632		500	2.15	20	100
L021CxI	Red	632		1500	2.15	20	100
L021AxI-S	Red	632		2500	2.15	20	100
L021AxI-U	Red	632		5800	2.15	20	100
L021AxI-T	Red	632		7800	2.15	20	100
L021KxI	Green	565		500	2.15	20	100
L021JxI	Green	565		1500	2.15	20	100
L021JxI-S	Green	565		2500	2.15	20	100
L021JxI-U	Green	565		6000	3.60	20	100
L021IxI	Yellow	589		1300	2.15	20	100
L021IxI-S	Yellow	589		2500	2.15	20	100
L021IxI-U	Yellow	589		4500	2.15	20	100
L021IxI-T	Yellow	589	W - White	7500	2.15	20	100
L021FxI	Orange	621	D - Diffused	1500	2.30	20	100
L021FxI-S	Orange	621	C - Water Clear	2500	2.30	20	100
L021FxI-U	Orange	621	T - Transparent	3500	2.30	20	100
L021BGxI	Blue / Green	503		3500	3.60	20	100
L021BGxI-U	Blue / Green	503		6500	3.60	20	100
L021BLxI	Blue	470		500	3.60	20	100
L021BHxI	Blue	470		1600	3.60	20	100
L021BUxI	Blue	470		3500	3.60	20	100
L021BXxI	Blue	470		7500	3.60	20	100
L021PGxI	Pure Green	525		2500	3.60	20	100
L021PGxI-S	Pure Green	525		4000	3.60	20	100
L021PGxI-U	Pure Green	525		5500	3.60	20	100
L021PGxI-T	Pure Green	525		7500	3.60	20	100
L021WHxI	White	589		1300	3.60	20	100
L021WUxI	White	---		5200	3.60	20	100
L021WXxI	White	---		7500	3.60	20	100

Notes: 1. All dimensions are in millimeter (inches) , tolerance is 0.25 unless otherwise noted.  
2.Specifications are subject to change without notice.

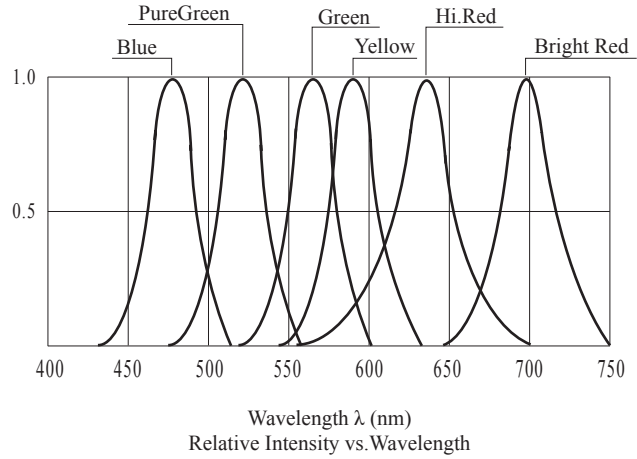
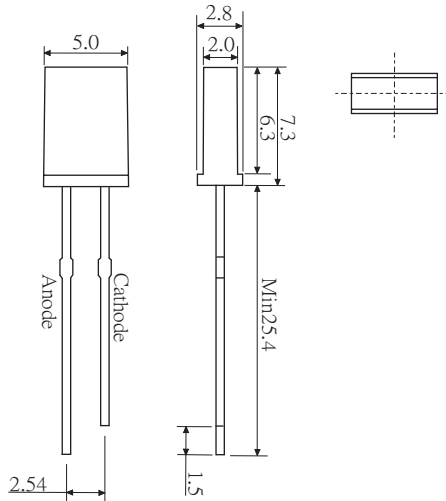
**L0231**



Part no.	Colour	Wave Length	Lens Color (x)	Luminous Intensity (mcd)	Forward Voltage (V)	Forward Current (mA)	0°
L0231DxI	Red	632		500	2.15	20	120
L0231CxI	Red	632		1500	2.15	20	120
L0231AxI-S	Red	632		2500	2.15	20	120
L0231AxI-U	Red	632		5800	2.15	20	120
L0231AxI-T	Red	632		7800	2.15	20	120
L0231KxI	Green	565		500	2.15	20	120
L0231JxI	Green	565		1500	2.15	20	120
L0231JxI-S	Green	565		2500	2.15	20	120
L0231JxI-U	Green	565		6000	3.60	20	120
L0231IxI	Yellow	589		1300	2.15	20	120
L0231IxI-S	Yellow	589		2500	2.15	20	120
L0231IxI-U	Yellow	589		4500	2.15	20	120
L0231IxI-T	Yellow	589	W- White	7500	2.15	20	120
L0231FxI	Orange	621	D - Diffused	1500	2.30	20	120
L0231FxI-S	Orange	621	C - Water Clear	2500	2.30	20	120
L0231FxI-U	Orange	621	T - Transparent	3500	2.30	20	120
L0231BGxI	Blue / Green	503		3500	3.60	20	120
L0231BGxI-U	Blue / Green	503		6500	3.60	20	120
L0231BLxI	Blue	470		500	3.60	20	120
L0231BHxI	Blue	470		1600	3.60	20	120
L0231BUxI	Blue	470		3500	3.60	20	120
L0231BXxI	Blue	470		7500	3.60	20	120
L0231PGxI	Pure Green	525		2500	3.60	20	120
L0231PGxI-S	Pure Green	525		4000	3.60	20	120
L0231PGxI-U	Pure Green	525		5500	3.60	20	120
L0231PGxI-T	Pure Green	525		7500	3.60	20	120
L0231WHxI	White	589		1300	3.60	20	120
L0231WUxI	White	----		5200	3.60	20	120
L0231WXxI	White	----		7500	3.60	20	120

Notes: 1. All dimensions are in millimeter (inches), tolerance is 0.25 unless otherwise noted.  
2. Specifications are subject to change without notice.

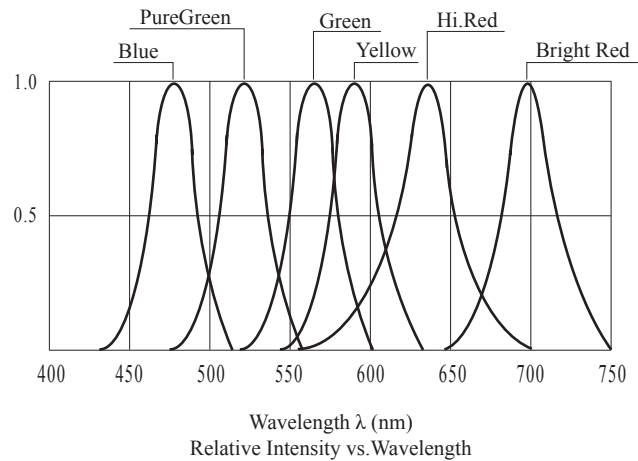
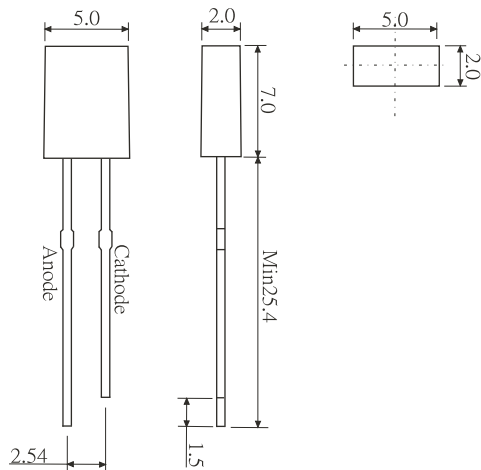
**L0250**



Part no.-	Colour	Wave Length	Lens Color (x)	Luminous Intensity (mcd)	Forward Voltage ( V )	Forward Current ( mA )	0°
L0250DxI	Red	632		500	2.15	20	120
L0250CxI	Red	632		1500	2.15	20	120
L0250AxI-S	Red	632		2500	2.15	20	120
L0205AxI-U	Red	632		5800	2.15	20	120
L0250AxI-T	Red	632		7800	2.15	20	120
L0250KxI	Green	565		500	2.15	20	120
L0250JxI	Green	565		1500	2.15	20	120
L0250JxI-S	Green	565		2500	2.15	20	120
L0250JxI-U	Green	565		6000	3.60	20	120
L0250IxI	Yellow	589		1300	2.15	20	120
L0250IxI-S	Yellow	589		2500	2.15	20	120
L0250IxI-U	Yellow	589		4500	2.15	20	120
L0250IxI-T	Yellow	589	W- White	7500	2.15	20	120
L0250FxI	Orange	621	D - Diffused	1500	2.30	20	120
L0250FxI-S	Orange	621	C - Water Clear	2500	2.30	20	120
L0250FxI-U	Orange	621	T - Transparent	3500	2.30	20	120
L0250BGxI	Blue / Green	503		3500	3.60	20	120
L0250BGxI-U	Blue / Green	503		6500	3.60	20	120
L0250BLxI	Blue	470		500	3.60	20	120
L0250BHxI	Blue	470		1600	3.60	20	120
L0250BUxI	Blue	470		3500	3.60	20	120
L0250BXxI	Blue	470		7500	3.60	20	120
L0250PGxI	Pure Green	525		2500	3.60	20	120
L0250PGxI-S	Pure Green	525		4000	3.60	20	120
L0250PGxI-U	Pure Green	525		5500	3.60	20	120
L0250PGxI-T	Pure Green	525		7500	3.60	20	120
L0250WHxI	White	589		1300	3.60	20	120
L0250WUxI	White	----		5200	3.60	20	120
L0250WXxI	White	----		7500	3.60	20	120

Notes: 1. All dimensions are in millimeter (inches) , tolerance is 0.25 unless otherwise noted.  
2. Specifications are subject to change without notice.

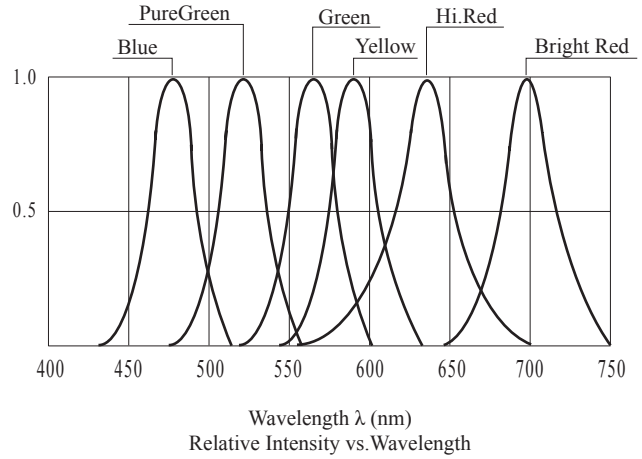
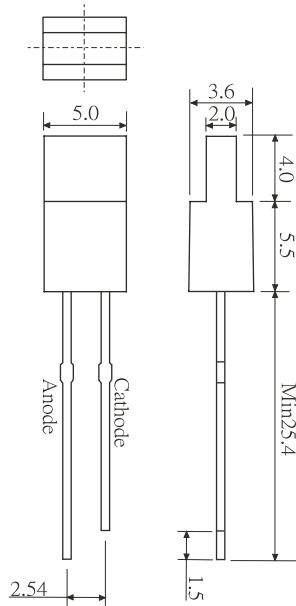
**L0251**



Part no.	Colour	Wave Length	Lens Color (x)	Luminous Intensity (mcd)	Forward Voltage ( V )	Forward Current ( mA )	0°
L0251DxI	Red	632		500	2.15	20	120
L0251CxI	Red	632		1500	2.15	20	120
L0251AxI-S	Red	632		2500	2.15	20	120
L0251AxI-U	Red	632		5800	2.15	20	120
L0251AxI-T	Red	632		7800	2.15	20	120
L0251KxI	Green	565		500	2.15	20	120
L0251JxI	Green	565		1500	2.15	20	120
L0251JxI-S	Green	565		2500	2.15	20	120
L0251JxI-U	Green	565		6000	3.60	20	120
L0251IxI	Yellow	589		1300	2.15	20	120
L0251IxI-S	Yellow	589		2500	2.15	20	120
L0251IxI-U	Yellow	589		4500	2.15	20	120
L0251IxI-T	Yellow	589	W - White	7500	2.15	20	120
L0251FxI	Orange	621	D - Diffused	1500	2.30	20	120
L0251FxI-S	Orange	621	C - Water Clear	2500	2.30	20	120
L0251FxI-U	Orange	621	T - Transparent	3500	2.30	20	120
L0251BGxI	Blue / Green	503		3500	3.60	20	120
L0251BGxI-U	Blue / Green	503		6500	3.60	20	120
L0251BLxI	Blue	470		500	3.60	20	120
L0251BHxI	Blue	470		1600	3.60	20	120
L0251BUxI	Blue	470		3500	3.60	20	120
L0251BXxI	Blue	470		7500	3.60	20	120
L0251PGxI	Pure Green	525		2500	3.60	20	120
L0251PGxI-S	Pure Green	525		4000	3.60	20	120
L0251PGxI-U	Pure Green	525		5500	3.60	20	120
L0251PGxI-T	Pure Green	525		7500	3.60	20	120
L0251WHxI	White	589		1300	3.60	20	120
L0251WUxI	White	----		5200	3.60	20	120
L0251WXxI	White	----		7500	3.60	20	120

Notes: 1. All dimensions are in millimeter (inches) , tolerance is 0.25 unless otherwise noted.  
2. Specifications are subject to change without notice.

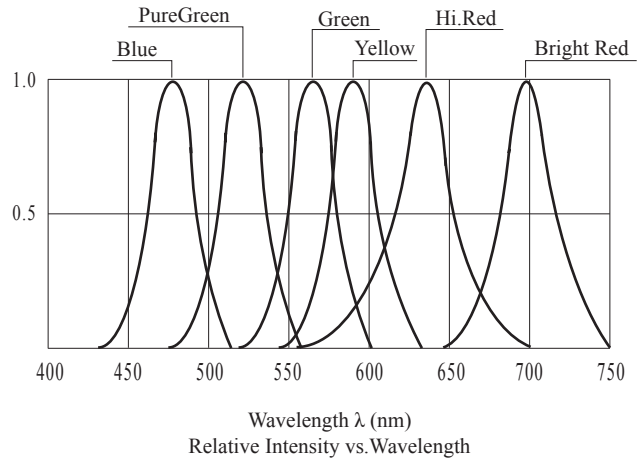
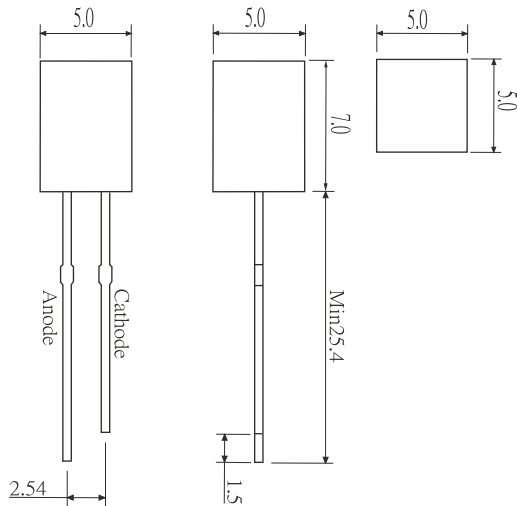
**L0253**



Part no.	Colour	Wave Length	Lens Color (x)	Luminous Intensity (mcd)	Forward Voltage ( V )	Forward Current ( mA )	0°
L0253DxI	Red	632		500	2.15	20	120
L0253CxI	Red	632		1500	2.15	20	120
L0253AxI-S	Red	632		2500	2.15	20	120
L0253AxI-U	Red	632		5800	2.15	20	120
L0253AxI-T	Red	632		7800	2.15	20	120
L0253KxI	Green	565		500	2.15	20	120
L0253JxI	Green	565		1500	2.15	20	120
L0253JxI-S	Green	565		2500	2.15	20	120
L0253JxI-U	Green	565		6000	3.60	20	120
L0253IxI	Yellow	589		1300	2.15	20	120
L0253IxI-S	Yellow	589		2500	2.15	20	120
L0253IxI-U	Yellow	589		4500	2.15	20	120
L0253IxI-T	Yellow	589	W - White	7500	2.15	20	120
L0253Fxi	Orange	621	D - Diffused	1500	2.30	20	120
L0253Fxi-S	Orange	621	C - Water Clear	2500	2.30	20	120
L0253Fxi-U	Orange	621	T - Transparent	3500	2.30	20	120
L0253BGxI	Blue / Green	503		3500	3.60	20	120
L0253BGxI-U	Blue / Green	503		6500	3.60	20	120
L0253BLxI	Blue	470		500	3.60	20	120
L0253BHxI	Blue	470		1600	3.60	20	120
L0253BUxI	Blue	470		3500	3.60	20	120
L0253BXxI	Blue	470		7500	3.60	20	120
L0253PGxI	Pure Green	525		2500	3.60	20	120
L0253PGxI-S	Pure Green	525		4000	3.60	20	120
L0253PGxI-U	Pure Green	525		5500	3.60	20	120
L0253PGxI-T	Pure Green	525		7500	3.60	20	120
L0253WHxI	White	589		1300	3.60	20	120
L0253WUxI	White	----		5200	3.60	20	120
L0253WXxI	White	----		7500	3.60	20	120

Notes: 1. All dimensions are in millimeter (inches) , tolerance is 0.25 unless otherwise noted.  
2. Specifications are subject to change without notice.

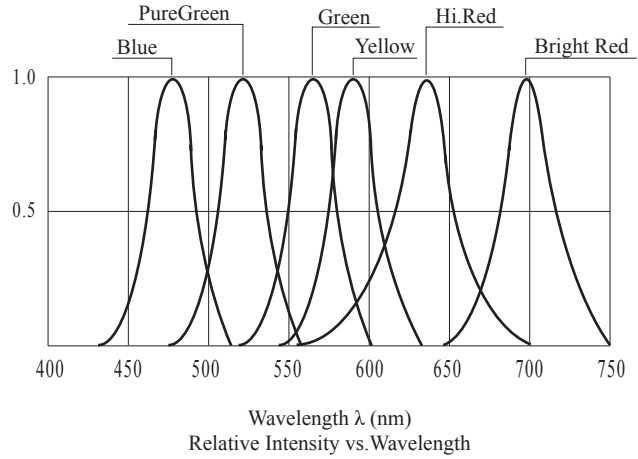
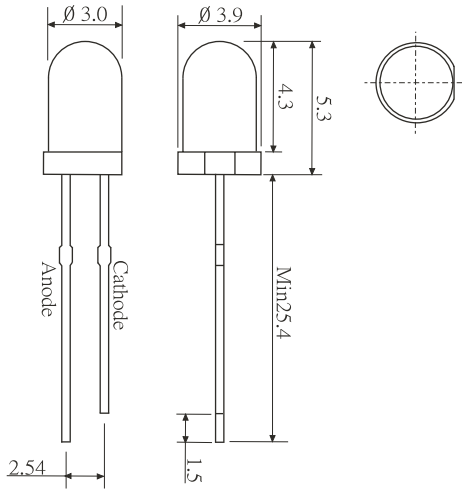
**L0551**



Part no.	Colour	Wave Length	Lens Color (x)	Luminous Intensity (mcd)	Forward Voltage (V)	Forward Current (mA)	0°
L0551DxI	Red	632		500	2.15	20	120
L0551CxI	Red	632		1500	2.15	20	120
L0551AxI-S	Red	632		2500	2.15	20	120
L0551AxI-U	Red	632		5800	2.15	20	120
L0551AxI-T	Red	632		7800	2.15	20	120
L0551KxI	Green	565		500	2.15	20	120
L0551JxI	Green	565		1500	2.15	20	120
L0551JxI-S	Green	565		2500	2.15	20	120
L0551JxI-U	Green	565		6000	3.60	20	120
L0551IxI	Yellow	589		1300	2.15	20	120
L0551IxI-S	Yellow	589		2500	2.15	20	120
L0551IxI-U	Yellow	589		4500	2.15	20	120
L0551IxI-T	Yellow	589	W- White	7500	2.15	20	120
L0551FxI	Orange	621	D - Diffused	1500	2.30	20	120
L0551FxI-S	Orange	621	C - Water Clear	2500	2.30	20	120
L0551FxI-U	Orange	621	T - Transparent	3500	2.30	20	120
L0551BGxI	Blue / Green	503		3500	3.60	20	120
L0551BGxI-U	Blue / Green	503		6500	3.60	20	120
L0551BLxI	Blue	470		500	3.60	20	120
L0551BHxI	Blue	470		1600	3.60	20	120
L0551BUxI	Blue	470		3500	3.60	20	120
L0551BXxI	Blue	470		7500	3.60	20	120
L0551PGxI	Pure Green	525		2500	3.60	20	120
L0551PGxI-S	Pure Green	525		4000	3.60	20	120
L0551PGxI-U	Pure Green	525		5500	3.60	20	120
L0551PGxI-T	Pure Green	525		7500	3.60	20	120
L0551WHxI	White	589		1300	3.60	20	120
L0551WUxI	White	----		5200	3.60	20	120
L0551WXxI	White	----		7500	3.60	20	120

Notes: 1. All dimensions are in millimeter (inches), tolerance is 0.25 unless otherwise noted.  
2. Specifications are subject to change without notice.

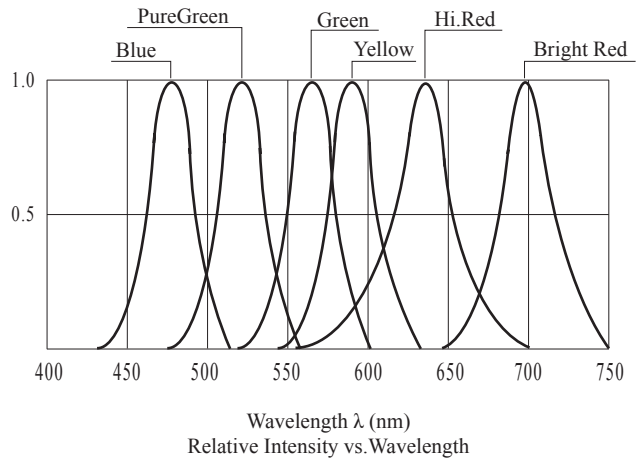
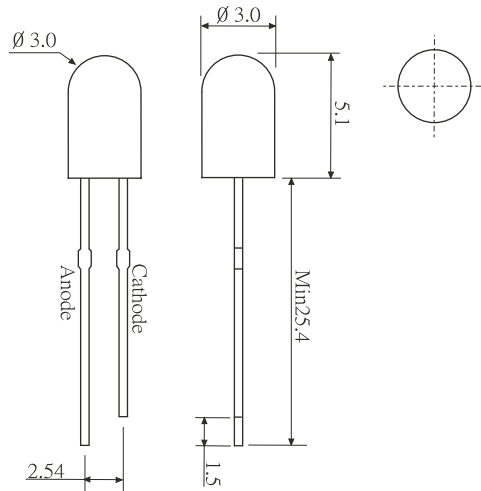
**L030**



Part no.	Colour	Wave Length	Lens Color (x)	Luminous Intensity (mcd)	Forward Voltage ( V )	Forward Current ( mA )	0°
L030DxI	Red	632		500	2.15	20	25
L030CxI	Red	632		1500	2.15	20	25
L030AxI-S	Red	632		2500	2.15	20	25
L030AxI-U	Red	632		5800	2.15	20	25
L030AxI-T	Red	632		7800	2.15	20	25
L030KxI	Green	565		500	2.15	20	25
L030JxI	Green	565		1500	2.15	20	25
L030JxI-S	Green	565		2500	2.15	20	25
L030JxI-U	Green	565		6000	3.60	20	25
L030IxI	Yellow	589		1300	2.15	20	25
L030IxI-S	Yellow	589		2500	2.15	20	25
L030IxI-U	Yellow	589		4500	2.15	20	25
L030IxI-T	Yellow	589	W - White	7500	2.15	20	25
L030FxI	Orange	621	D - Diffused	1500	2.30	20	25
L030FxI-S	Orange	621	C - Water Clear	2500	2.30	20	25
L030FxI-U	Orange	621	T - Transparent	3500	2.30	20	25
L030BGxI	Blue / Green	503		3500	3.60	20	25
L030BGxI-U	Blue / Green	503		6500	3.60	20	25
L030BLxI	Blue	470		500	3.60	20	25
L030BHxI	Blue	470		1600	3.60	20	25
L030BUxI	Blue	470		3500	3.60	20	25
L030BXxI	Blue	470		7500	3.60	20	25
L030PGxI	Pure Green	525		2500	3.60	20	25
L030PGxI-S	Pure Green	525		4000	3.60	20	25
L030PGxI-U	Pure Green	525		5500	3.60	20	25
L030PGxI-T	Pure Green	525		7500	3.60	20	25
L030WHxI	White	589		1300	3.60	20	25
L030WUxI	White	----		5200	3.60	20	25
L030WXxI	White	----		7500	3.60	20	25

Notes: 1. All dimensions are in millimeter (inches) , tolerance is 0.25 unless otherwise noted.  
2. Specifications are subject to change without notice.

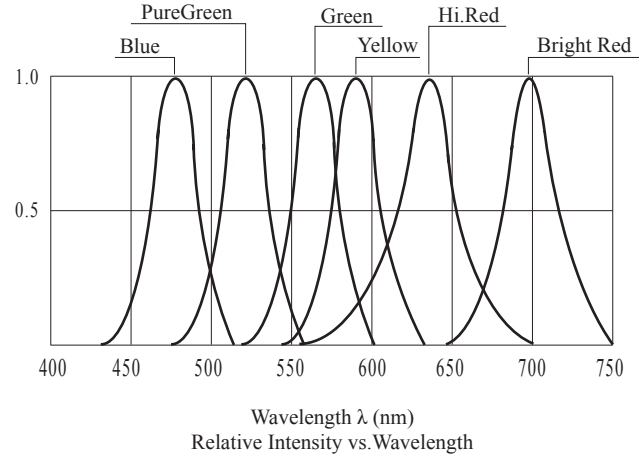
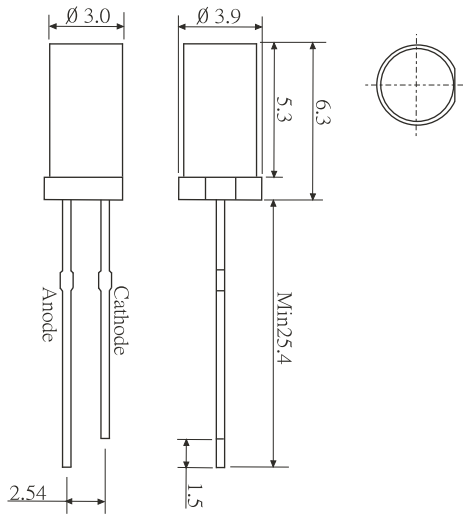
**L031**



Part no.	Colour	Wave Length	Lens Color (x)	Luminous Intensity (mcd)	Forward Voltage (V)	Forward Current (mA)	0°
L031DxI	Red	632		500	2.15	20	25
L031CxI	Red	632		1500	2.15	20	25
L031AxI-S	Red	632		2500	2.15	20	25
L031AxI-U	Red	632		5800	2.15	20	25
L031AxI-T	Red	632		7800	2.15	20	25
L031KxI	Green	565		500	2.15	20	25
L031JxI	Green	565		1500	2.15	20	25
L031JxI-S	Green	565		2500	2.15	20	25
L031JxI-U	Green	565		6000	3.60	20	25
L031IxI	Yellow	589		1300	2.15	20	25
L031IxI-S	Yellow	589		2500	2.15	20	25
L031IxI-U	Yellow	589		4500	2.15	20	25
L031IxI-T	Yellow	589	W - White	7500	2.15	20	25
L031FxI	Orange	621	D - Diffused	1500	2.30	20	25
L031FxI-S	Orange	621	C - Water Clear	2500	2.30	20	25
L031FxI-U	Orange	621	T - Transparent	3500	2.30	20	25
L301BGxI	Blue / Green	503		3500	3.60	20	25
L031BGxI-U	Blue / Green	503		6500	3.60	20	25
L031BLxI	Blue	470		500	3.60	20	25
L031BHxI	Blue	470		1600	3.60	20	25
L031BUxI	Blue	470		3500	3.60	20	25
L031BXxI	Blue	470		7500	3.60	20	25
L031PGxI	Pure Green	525		2500	3.60	20	25
L031PGxI-S	Pure Green	525		4000	3.60	20	25
L031PGxI-U	Pure Green	525		5500	3.60	20	25
L031PGxI-T	Pure Green	525		7500	3.60	20	25
L031WHxI	White	589		1300	3.60	20	25
L031WUxI	White	----		5200	3.60	20	25
L031WXxI	White	----		7500	3.60	20	25

Notes: 1. All dimensions are in millimeter (inches), tolerance is 0.25 unless otherwise noted.  
2. Specifications are subject to change without notice.

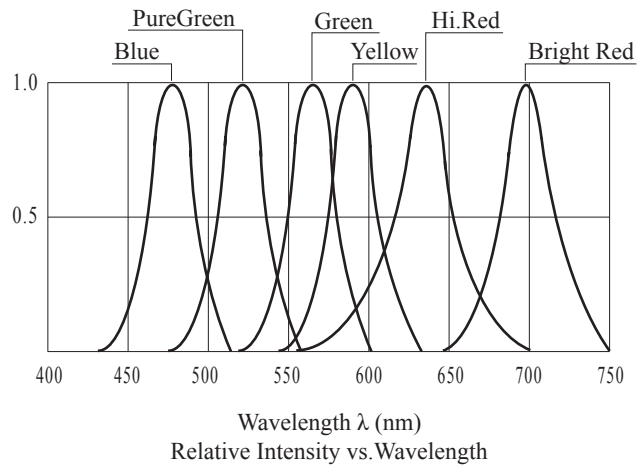
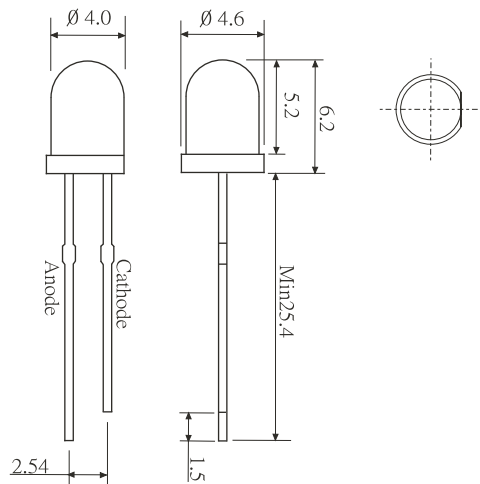
**L032**



Part no.	Colour	Wave Length	Lens Color (x)	Luminous Intensity (mcd)	Forward Voltage ( V )	Forward Current ( mA )	0°
L032DxI	Red	632		500	2.15	20	90
L032CxI	Red	632		1500	2.15	20	90
L032AxI-S	Red	632		2500	2.15	20	90
L032AxI-U	Red	632		5800	2.15	20	90
L032AxI-T	Red	632		7800	2.15	20	90
L032KxI	Green	565		500	2.15	20	90
L032JxI	Green	565		1500	2.15	20	90
L032JxI-S	Green	565		2500	2.15	20	90
L032JxI-U	Green	565		6000	3.60	20	90
L032IxI	Yellow	589		1300	2.15	20	90
L032IxI-S	Yellow	589		2500	2.15	20	90
L032IxI-U	Yellow	589		4500	2.15	20	90
L032IxI-T	Yellow	589	W - White	7500	2.15	20	90
L032FxI	Orange	621	D - Diffused	1500	2.30	20	90
L032FxI-S	Orange	621	C - Water Clear	2500	2.30	20	90
L032FxI-U	Orange	621	T - Transparent	3500	2.30	20	90
L032BGxI	Blue / Green	503		3500	3.60	20	90
L032BGxI-U	Blue / Green	503		6500	3.60	20	90
L032BLxI	Blue	470		500	3.60	20	90
L032BHxI	Blue	470		1600	3.60	20	90
L032BUxI	Blue	470		3500	3.60	20	90
L032BXxI	Blue	470		7500	3.60	20	90
L032PGxI	Pure Green	525		2500	3.60	20	90
L032PGxI-S	Pure Green	525		4000	3.60	20	90
L032PGxI-U	Pure Green	525		5500	3.60	20	90
L032PGxI-T	Pure Green	525		7500	3.60	20	90
L032WHxI	White	----		1300	3.60	20	90
L032WUxI	White	----		5200	3.60	20	90
L032WXxI	White	----		7500	3.60	20	90

Notes: 1. All dimensions are in millimeter (inches) , tolerance is 0.25 unless otherwise noted.  
2. Specifications are subject to change without notice.

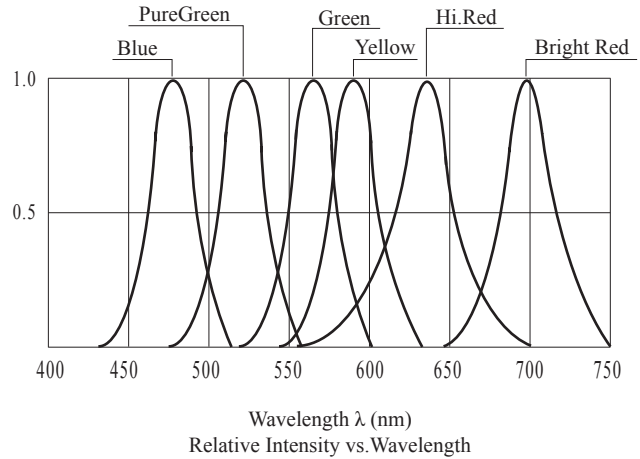
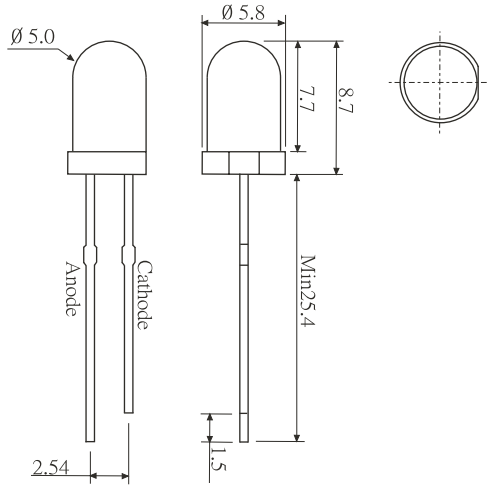
**L040**



Part no.	Colour	Wave Length	Lens Color (x)	Luminous Intensity (mcd)	Forward Voltage ( V )	Forward Current ( mA )	0°
L040DxI	Red	632		500	2.15	20	25
L040CxI	Red	632		1500	2.15	20	25
L040AxI-S	Red	632		2500	2.15	20	25
L040AxI-U	Red	632		5800	2.15	20	25
L040AxI-T	Red	632		7800	2.15	20	25
L040KxI	Green	565		500	2.15	20	25
L040JxI	Green	565		1500	2.15	20	25
L040JxI-S	Green	565		2500	2.15	20	25
L040JxI-U	Green	565		6000	3.60	20	25
L040IxI	Yellow	589		1300	2.15	20	25
L040IxI-S	Yellow	589		2500	2.15	20	25
L040IxI-U	Yellow	589		4500	2.15	20	25
L040IxI-T	Yellow	589	W - White	7500	2.15	20	25
L040FxI	Orange	621	D - Diffused	1500	2.30	20	25
L040FxI-S	Orange	621	C - Water Clear	2500	2.30	20	25
L040FxI-U	Orange	621	T - Transparent	3500	2.30	20	25
L040BGxI	Blue / Green	503		3500	3.60	20	25
L040BGxI-U	Blue / Green	503		6500	3.60	20	25
L040BLxI	Blue	470		500	3.60	20	25
L040BHxI	Blue	470		1600	3.60	20	25
L040BUxI	Blue	470		3500	3.60	20	25
L040BXxI	Blue	470		7500	3.60	20	25
L040PGxI	Pure Green	525		2500	3.60	20	25
L040PGxI-S	Pure Green	525		4000	3.60	20	25
L040PGxI-U	Pure Green	525		5500	3.60	20	25
L040PGxI-T	Pure Green	525		7500	3.60	20	25
L040WHxI	White	----		1300	3.60	20	25
L040WUxI	White	----		5200	3.60	20	25
L040WXxI	White	----		7500	3.60	20	25

Notes: 1. All dimensions are in millimeter (inches) , tolerance is 0.25 unless otherwise noted.  
2. Specifications are subject to change without notice.

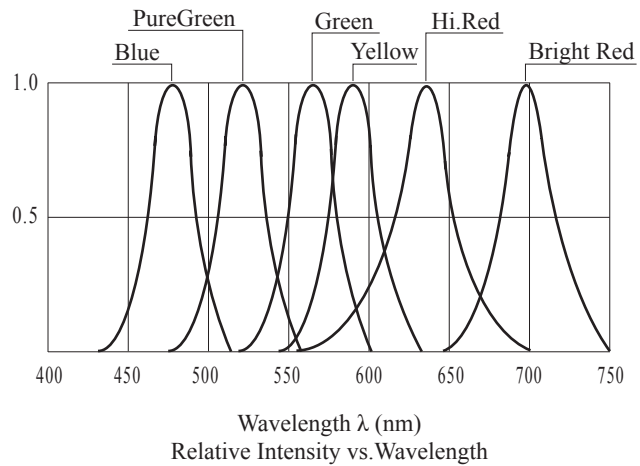
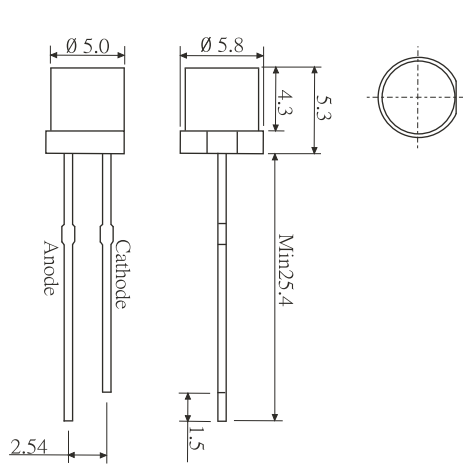
**L050**



Part no.	Colour	Wave Length	Lens Color (x)	Luminous Intensity (mcd)	Forward Voltage ( V )	Forward Current ( mA )	0°
L050DxI	Red	632		500	2.15	20	25
L050CxI	Red	632		1500	2.15	20	25
L050AxI-S	Red	632		2500	2.15	20	25
L050AxI-U	Red	632		5800	2.15	20	25
L050AxI-T	Red	632		7800	2.15	20	25
L050KxI	Green	565		500	2.15	20	25
L050JxI	Green	565		1500	2.15	20	25
L050JxI-S	Green	565		2500	2.15	20	25
L050JxI-U	Green	565		6000	3.60	20	25
L050IxI	Yellow	589		1300	2.15	20	25
L050IxI-S	Yellow	589		2500	2.15	20	25
L050IxI-U	Yellow	589		4500	2.15	20	25
L050IxI-T	Yellow	589	W - White	7500	2.15	20	25
L050FxI	Orange	621	D - Diffused	1500	2.30	20	25
L050FxI-S	Orange	621	C - Water Clear	2500	2.30	20	25
L050FxI-U	Orange	621	T - Transparent	3500	2.30	20	25
L050BGxI	Blue / Green	503		3500	3.60	20	25
L050BGxI-U	Blue / Green	503		6500	3.60	20	25
L050BLxI	Blue	470		500	3.60	20	25
L050BHxI	Blue	470		1600	3.60	20	25
L050BUxI	Blue	470		3500	3.60	20	25
L050BXxI	Blue	470		7500	3.60	20	25
L050PGxI	Pure Green	525		2500	3.60	20	25
L050PGxI-S	Pure Green	525		4000	3.60	20	25
L050PGxI-U	Pure Green	525		5500	3.60	20	25
L050PGxI-T	Pure Green	525		7500	3.60	20	25
L050WHxI	White	----		1300	3.60	20	25
L050WUxI	White	----		5200	3.60	20	25
L050WXxI	White	----		7500	3.60	20	25

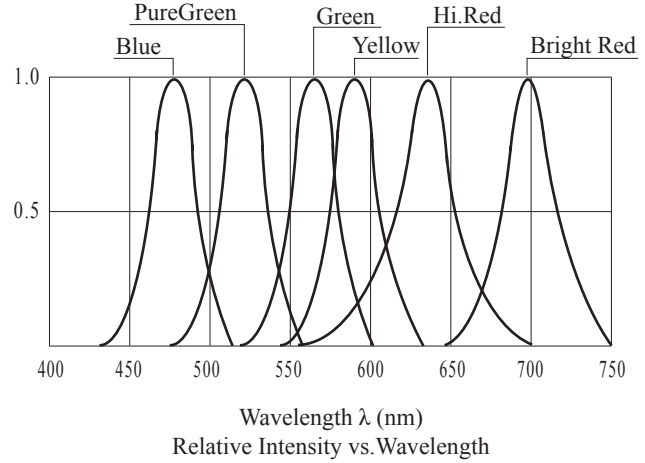
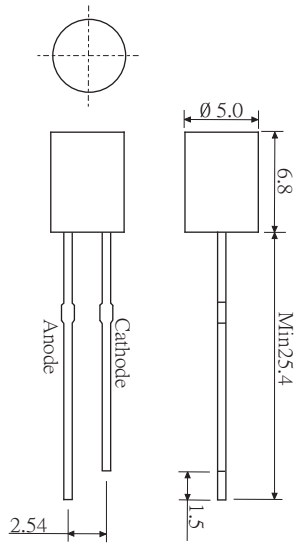
Notes: 1. All dimensions are in millimeter (inches) , tolerance is 0.25 unless otherwise noted.  
2. Specifications are subject to change without notice.

**L052**



Part no.	Colour	Wave Length	Lens Color (x)	Luminous Intensity (mcd)	Forward Voltage (V)	Forward Current (mA)	0°
L052DxI	Red	632		500	2.15	20	90
L052CxI	Red	632		1500	2.15	20	90
L052AxI-S	Red	632		2500	2.15	20	90
L052AxI-U	Red	632		5800	2.15	20	90
L052AxI-T	Red	632		7800	2.15	20	90
L052KxI	Green	565		500	2.15	20	90
L052JxI	Green	565		1500	2.15	20	90
L052JxI-S	Green	565		2500	2.15	20	90
L052JxI-U	Green	565		6000	3.60	20	90
L052IxI	Yellow	589		1300	2.15	20	90
L052IxI-S	Yellow	589		2500	2.15	20	90
L052IxI-U	Yellow	589		4500	2.15	20	90
L052IxI-T	Yellow	589	W - White	7500	2.15	20	90
L052Fxi	Orange	621	D - Diffused	1500	2.30	20	90
L052Fxi-S	Orange	621	C - Water Clear	2500	2.30	20	90
L052Fxi-U	Orange	621	T - Transparent	3500	2.30	20	90
L052BGxi	Blue / Green	503		3500	3.60	20	90
L052BGxi-U	Blue / Green	503		6500	3.60	20	90
L052BLxi	Blue	470		500	3.60	20	90
L052BHxi	Blue	470		1600	3.60	20	90
L052BUxi	Blue	470		3500	3.60	20	90
L052BXxi	Blue	470		7500	3.60	20	90
L052PGxi	Pure Green	525		2500	3.60	20	90
L052PGxi-S	Pure Green	525		4000	3.60	20	90
L052PGxi-U	Pure Green	525		5500	3.60	20	90
L052PGxi-T	Pure Green	525		7500	3.60	20	90
L052WHxi	White	----		1300	3.60	20	90
L052WUxi	White	----		5200	3.60	20	90
L052WXxi	White	----		7500	3.60	20	90

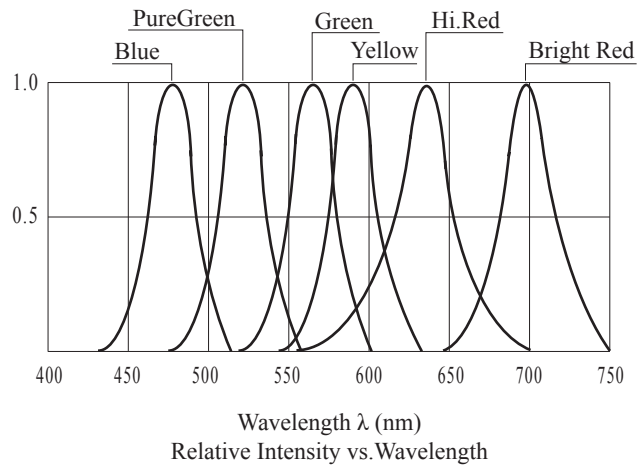
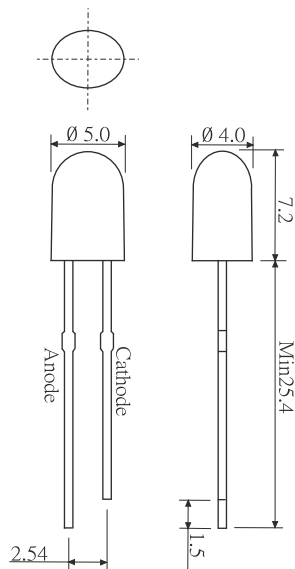
**L053**



Part no.-	Colour	Wave Length	Lens Color (x)	Luminous Intensity (mcd)	Forward Voltage ( V )	Forward Current ( mA )	0°
L053DxI	Red	632		500	2.15	20	120
L053CxI	Red	632		1500	2.15	20	120
L053AxI-S	Red	632		2500	2.15	20	120
L053AxI-U	Red	632		5800	2.15	20	120
L053AxI-T	Red	632		7800	2.15	20	120
L053KxI	Green	565		500	2.15	20	120
L053JxI	Green	565		1500	2.15	20	120
L053JxI-S	Green	565		2500	2.15	20	120
L053JxI-U	Green	565		6000	3.60	20	120
L053IxI	Yellow	589		1300	2.15	20	120
L053IxI-S	Yellow	589		2500	2.15	20	120
L053IxI-U	Yellow	589		4500	2.15	20	120
L053IxI-T	Yellow	589	W - White	7500	2.15	20	120
L053FxI	Orange	621	D - Diffused	1500	2.30	20	120
L053FxI-S	Orange	621	C - Water Clear	2500	2.30	20	120
L053FxI-U	Orange	621	T - Transparent	3500	2.30	20	120
L053BGxI	Blue / Green	503		3500	3.60	20	120
L053BGxI-U	Blue / Green	503		6500	3.60	20	120
L053BLxI	Blue	470		500	3.60	20	120
L053BHxI	Blue	470		1600	3.60	20	120
L053BUxI	Blue	470		3500	3.60	20	120
L053BXxI	Blue	470		7500	3.60	20	120
L053PGxI	Pure Green	525		2500	3.60	20	120
L053PGxI-S	Pure Green	525		4000	3.60	20	120
L053PGxI-U	Pure Green	525		5500	3.60	20	120
L053PGxI-T	Pure Green	525		7500	3.60	20	120
L053WHxI	White	----		1300	3.60	20	120
L053WUxI	White	----		5200	3.60	20	120
L053WXxI	White	----		7500	3.60	20	120

Notes: 1. All dimensions are in millimeter (inches) , tolerance is 0.25 unless otherwise noted.  
2. Specifications are subject to change without notice.

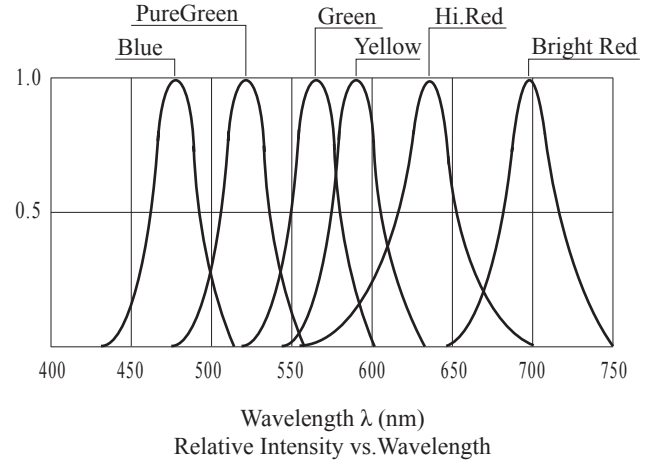
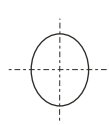
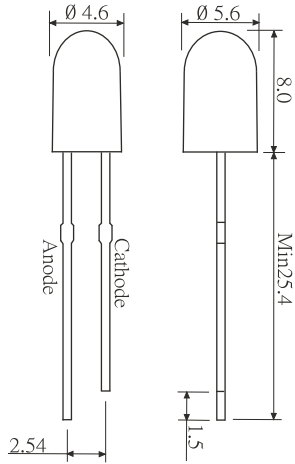
**L056**



Part no.	Colour	Wave Length	Lens Color (x)	Luminous Intensity (mcd)	Forward Voltage ( V )	Forward Current ( mA )	0°
L056DxI	Red	632		500	2.15	20	40/70
L056CxI	Red	632		1500	2.15	20	40/70
L056AxI-S	Red	632		2500	2.15	20	40/70
L056AxI-U	Red	632		5800	2.15	20	40/70
L056AxI-T	Red	632		7800	2.15	20	40/70
L056KxI	Green	565		500	2.15	20	40/70
L056JxI	Green	565		1500	2.15	20	40/70
L056JxI-S	Green	565		2500	2.15	20	40/70
L056JxI-U	Green	565		6000	3.60	20	40/70
L056IxI	Yellow	589		1300	2.15	20	40/70
L056IxI-S	Yellow	589		2500	2.15	20	40/70
L056IxI-U	Yellow	589		4500	2.15	20	40/70
L056IxI-T	Yellow	589	W - White	7500	2.15	20	40/70
L056FxI	Orange	621	D - Diffused	1500	2.30	20	40/70
L056FxI-S	Orange	621	C - Water Clear	2500	2.30	20	40/70
L056FxI-U	Orange	621	T - Transparent	3500	2.30	20	40/70
L056BGxI	Blue / Green	503		3500	3.60	20	40/70
L056BGxI-U	Blue / Green	503		6500	3.60	20	40/70
L056BLxI	Blue	470		500	3.60	20	40/70
L056BHxI	Blue	470		1600	3.60	20	40/70
L056BUxI	Blue	470		3500	3.60	20	40/70
L056BXxI	Blue	470		7500	3.60	20	40/70
L056PGxI	Pure Green	525		2500	3.60	20	40/70
L056PGxI-S	Pure Green	525		4000	3.60	20	40/70
L056PGxI-U	Pure Green	525		5500	3.60	20	40/70
L056PGxI-T	Pure Green	525		7500	3.60	20	40/70
L056WHxI	White	----		1300	3.60	20	40/70
L056WUxI	White	----		5200	3.60	20	40/70
L056WXxI	White	----		7500	3.60	20	40/70

Notes: 1. All dimensions are in millimeter (inches) , tolerance is 0.25 unless otherwise noted.  
2. Specifications are subject to change without notice.

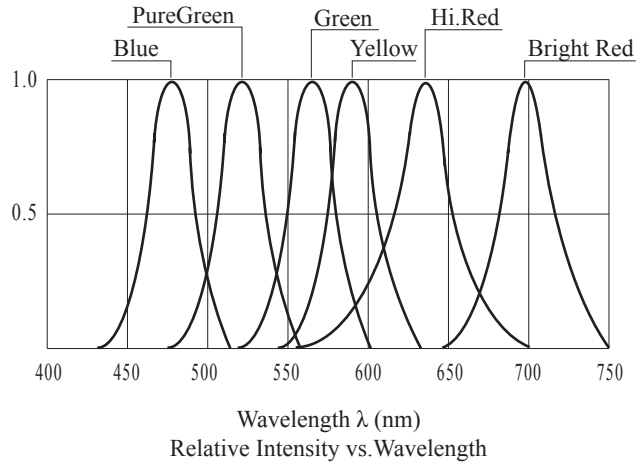
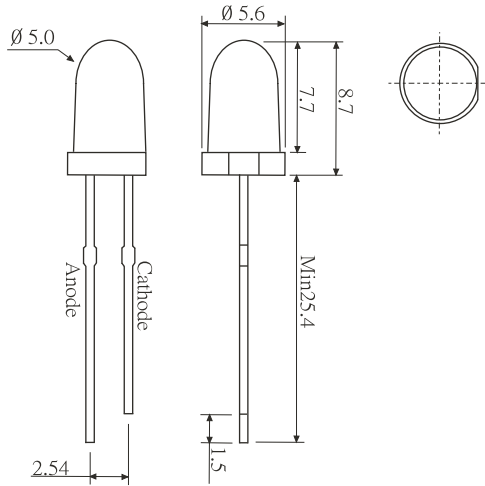
**L057**



Part no.	Colour	Wave Length	Lens Color (x)	Luminous Intensity (mcd)	Forward Voltage ( V )	Forward Current ( mA )	0°
L057DxI	Red	632		500	2.15	20	40/110
L057CxI	Red	632		1500	2.15	20	40/110
L057AxI-S	Red	632		2500	2.15	20	40/110
L057AxI-U	Red	632		5800	2.15	20	40/110
L057AxI-T	Red	632		7800	2.15	20	40/110
L057KxI	Green	565		500	2.15	20	40/110
L057JxI	Green	565		1500	2.15	20	40/110
L057JxI-S	Green	565		2500	2.15	20	40/110
L057JxI-U	Green	565		6000	3.60	20	40/110
L057IxI	Yellow	589		1300	2.15	20	40/110
L057IxI-S	Yellow	589		2500	2.15	20	40/110
L057IxI-U	Yellow	589		4500	2.15	20	40/110
L057IxI-T	Yellow	589	W - White	7500	2.15	20	40/110
L057FxI	Orange	621	D - Diffused	1500	2.30	20	40/110
L057FxI-S	Orange	621	C - Water Clear	2500	2.30	20	40/110
L057FxI-U	Orange	621	T - Transparent	3500	2.30	20	40/110
L057BGxI	Blue / Green	503		3500	3.60	20	40/110
L057BGxI-U	Blue / Green	503		6500	3.60	20	40/110
L057BLxI	Blue	470		500	3.60	20	40/110
L057BHxI	Blue	470		1600	3.60	20	40/110
L057BUxI	Blue	470		3500	3.60	20	40/110
L057BXxI	Blue	470		7500	3.60	20	40/110
L057PGxI	Pure Green	525		2500	3.60	20	40/110
L057PGxI-S	Pure Green	525		4000	3.60	20	40/110
L057PGxI-U	Pure Green	525		5500	3.60	20	40/110
L057PGxI-T	Pure Green	525		7500	3.60	20	40/110
L057WHxI	White	----		1300	3.60	20	40/110
L057WUxI	White	----		5200	3.60	20	40/110
L057WXxI	White	----		7500	3.60	20	40/110

Notes: 1. All dimensions are in millimeter (inches) , tolerance is 0.25 unless otherwise noted.  
2. Specifications are subject to change without notice.

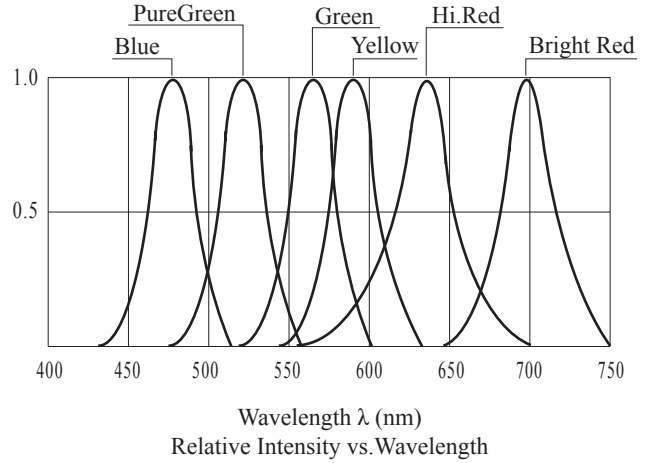
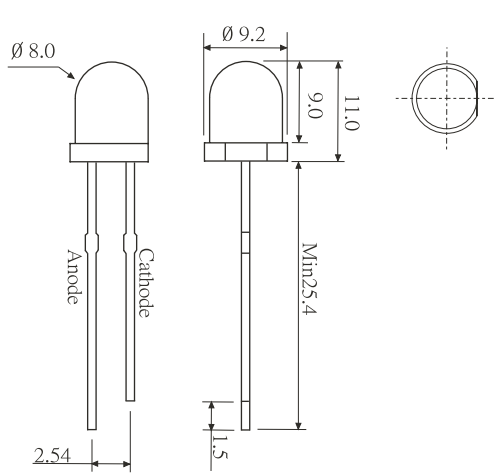
**L058**



Part no.	Colour	Wave Length	Lens Color (x)	Luminous Intensity (mcd)	Forward Voltage ( V )	Forward Current ( mA )	0°
L058DxI	Red	632		500	2.15	20	150
L058CxI	Red	632		1500	2.15	20	150
L058AxI-S	Red	632		2500	2.15	20	150
L058AxI-U	Red	632		5800	2.15	20	150
L058AxI-T	Red	632		7800	2.15	20	150
L058KxI	Green	565		500	2.15	20	150
L058JxI	Green	565		1500	2.15	20	150
L058JxI-S	Green	565		2500	2.15	20	150
L058JxI-U	Green	565		6000	3.60	20	150
L058IxI	Yellow	589		1300	2.15	20	150
L058IxI-S	Yellow	589		2500	2.15	20	150
L058IxI-U	Yellow	589		4500	2.15	20	150
L058IxI-T	Yellow	589	W - White	7500	2.15	20	150
L058FxI	Orange	621	D - Diffused	1500	2.30	20	150
L058FxI-S	Orange	621	C - Water Clear	2500	2.30	20	150
L058FxI-U	Orange	621	T - Transparent	3500	2.30	20	150
L058BGxI	Blue / Green	503		3500	3.60	20	150
L058BGxI-U	Blue / Green	503		6500	3.60	20	150
L058BLxI	Blue	470		500	3.60	20	150
L058BHxI	Blue	470		1600	3.60	20	150
L058BUxI	Blue	470		3500	3.60	20	150
L058BXxI	Blue	470		7500	3.60	20	150
L058PGxI	Pure Green	525		2500	3.60	20	150
L058PGxI-S	Pure Green	525		4000	3.60	20	150
L058PGxI-U	Pure Green	525		5500	3.60	20	150
L058PGxI-T	Pure Green	525		7500	3.60	20	150
L058WHxI	White	---		1300	3.60	20	150
L058WUxI	White	---		5200	3.60	20	150
L058WXxI	White	---		7500	3.60	20	150

Notes: 1. All dimensions are in millimeter (inches) , tolerance is 0.25 unless otherwise noted.  
2. Specifications are subject to change without notice.

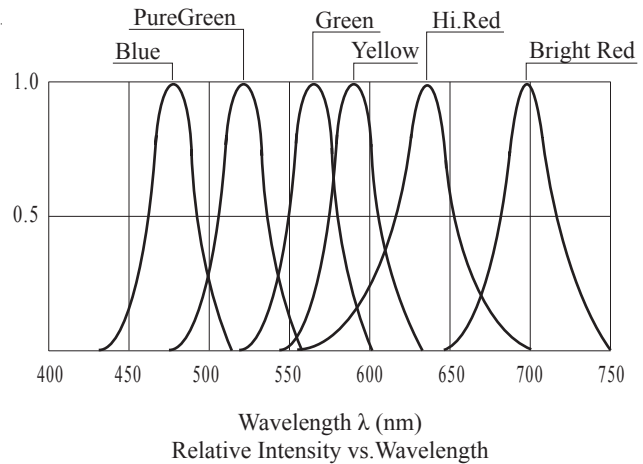
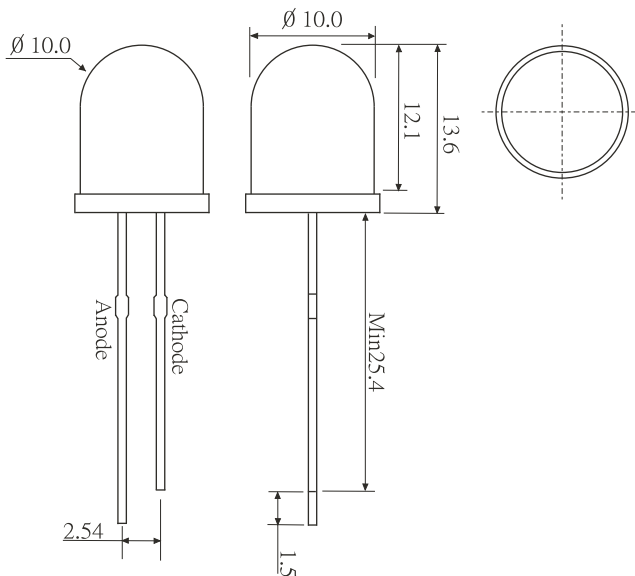
**L080**



Part no.	Colour	Wave Length	Lens Color (x)	Luminous Intensity (mcd)	Forward Voltage (V)	Forward Current (mA)	0°
L080DxI	Red	632		500	2.15	20	40
L080CxI	Red	632		1500	2.15	20	40
L080AxI-S	Red	632		2500	2.15	20	40
L080AxI-U	Red	632		5800	2.15	20	40
L080AxI-T	Red	632		7800	2.15	20	40
L080KxI	Green	565		500	2.15	20	40
L080JxI	Green	565		1500	2.15	20	40
L080JxI-S	Green	565		2500	2.15	20	40
L080JxI-U	Green	565		6000	3.60	20	40
L080IxI	Yellow	589		1300	2.15	20	40
L080IxI-S	Yellow	589		2500	2.15	20	40
L080IxI-U	Yellow	589		4500	2.15	20	40
L080IxI-T	Yellow	589	W- White	7500	2.15	20	40
L080FxI	Orange	621	D - Diffused	1500	2.30	20	40
L080FxI-S	Orange	621	C - Water Clear	2500	2.30	20	40
L080FxI-U	Orange	621	T - Transparent	3500	2.30	20	40
L080BGxI	Blue / Green	503		3500	3.60	20	40
L080BGxI-U	Blue / Green	503		6500	3.60	20	40
L080BLxI	Blue	470		500	3.60	20	40
L080BHxI	Blue	470		1600	3.60	20	40
L080BUxI	Blue	470		3500	3.60	20	40
L080BXxI	Blue	470		7500	3.60	20	40
L080PGxI	Pure Green	525		2500	3.60	20	40
L080PGxI-S	Pure Green	525		4000	3.60	20	40
L080PGxI-U	Pure Green	525		5500	3.60	20	40
L080PGxI-T	Pure Green	525		7500	3.60	20	40
L080WHxI	White	----		1300	3.60	20	40
L080WUxI	White	----		5200	3.60	20	40
L080WXxI	White	----		7500	3.60	20	40

Notes: 1. All dimensions are in millimeter (inches) , tolerance is 0.25 unless otherwise noted.  
2. Specifications are subject to change without notice.

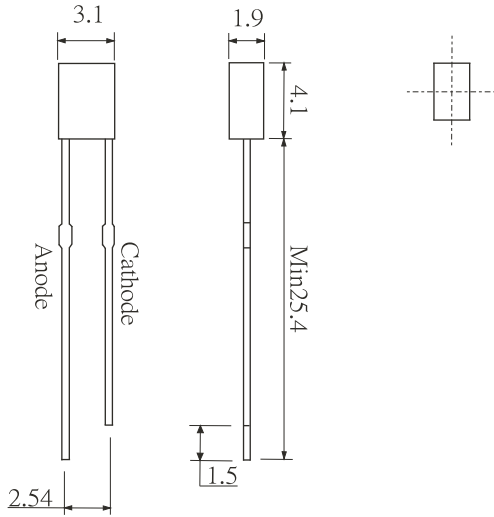
**L100**



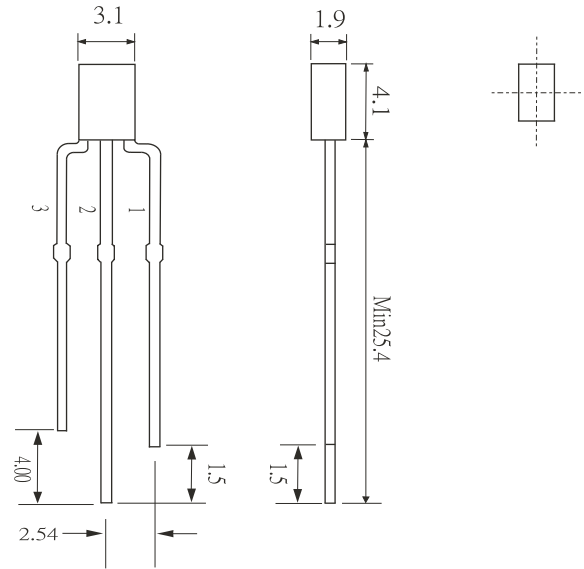
Part no.	Colour	Wave Length	Lens Color (x)	Luminous Intensity (mcd)	Forward Voltage (V)	Forward Current (mA)	0°
L100DxI	Red	632		500	2.15	20	40
L100CxI	Red	632		1500	2.15	20	40
L100AxI-S	Red	623		2500	2.15	20	40
L100AxI-U	Red	660		5800	2.15	20	40
L100AxI-T	Red	623		7800	2.15	20	40
L100KxI	Green	565		500	2.15	20	40
L100JxI	Green	565		1500	2.15	20	40
L100JxI-S	Green	565		2500	2.15	20	40
L100JxI-U	Green	565		6000	3.60	20	40
L100IxI	Yellow	589		1300	2.15	20	40
L100IxI-S	Yellow	589		2500	2.15	20	40
L100IxI-U	Yellow	589		4500	2.15	20	40
L100IxI-T	Yellow	589	W - White	7500	2.15	20	40
L100FxI	Orange	621	D - Diffused	1500	2.30	20	40
L100FxI-S	Orange	621	C - Water Clear	2500	2.30	20	40
L100FxI-U	Orange	621	T - Transparent	3500	2.30	20	40
L100BGxI	Blue / Green	503		3500	3.60	20	40
L100BGxI-U	Blue / Green	503		6500	3.60	20	40
L100BLxI	Blue	470		500	3.60	20	40
L100BHxI	Blue	470		1600	3.60	20	40
L100BUxI	Blue	470		3500	3.60	20	40
L100BXxI	Blue	470		7500	3.60	20	40
L100PGxI	Pure Green	525		2500	3.60	20	40
L100PGxI-S	Pure Green	525		4000	3.60	20	40
L100PGxI-U	Pure Green	525		5500	3.60	20	40
L100PGxI-T	Pure Green	525		7500	3.60	20	40
L100WHxI	White	----		1300	3.60	20	40
L100WUxI	White	----		5200	3.60	20	40
L100WXxI	White	----		7500	3.60	20	40

Notes: 1. All dimensions are in millimeter (inches), tolerance is 0.25 unless otherwise noted.  
2. Specifications are subject to change without notice.

**L0231xx2**



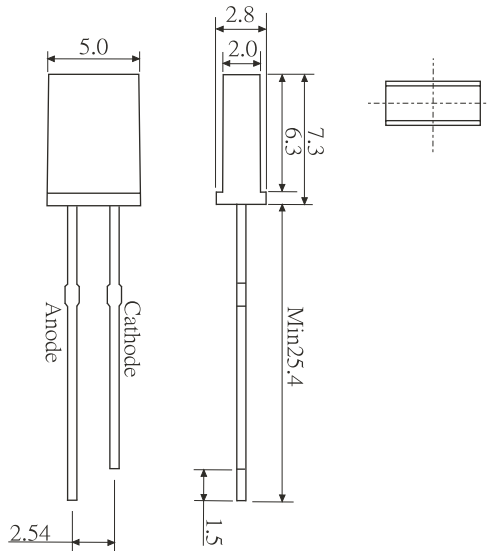
**L0231xx3**



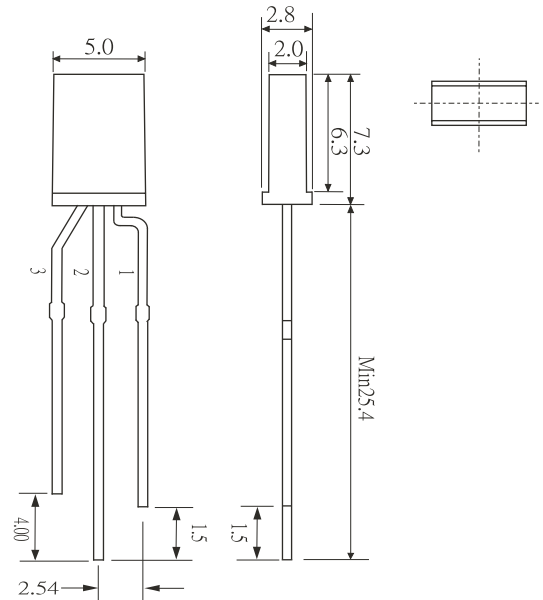
Part no.	Colour	Wave Length	Lens Color (x)	Luminous Intensity (mcd)	Forward Voltage ( V )	Forward Current ( mA )	0°
L0231DKxI-2	Red	632		500	2.15	20	120
	Green	565		500	2.15	20	120
L0231CJxI-2	Red	632		1500	2.15	20	120
	Green	565		1500	2.15	20	120
L0231AJxI-2	Red	632		2500	2.15	20	120
	Green	565		2500	2.15	20	120
L0231CIxI-2	Red	632		1500	2.15	20	120
	Yellow	589		1300	2.15	20	120
L0231AIxI-2	Red	632		2500	2.15	20	120
	Yellow	589		2500	2.15	20	120
L0231CBHxI-2	Red	632		1500	2.15	20	120
	Blue	470		1600	3.60	20	120
L0231ABUxI-2	Red	632		2500	2.15	20	120
	Blue	470	W- White	3500	3.60	20	120
L0231DKxI-3	Red	632	C - Water Clear	500	2.15	20	120
	Green	565		500	2.15	20	120
L0231CJxI-3	Red	632		1500	2.15	20	120
	Green	565		1500	2.15	20	120
L0231AJxI-3	Red	632		2500	2.15	20	120
	Green	565		2500	2.15	20	120
L0231CIxI-3	Red	632		1500	2.15	20	120
	Yellow	589		1300	2.15	20	120
L0231AIxI-3	Red	632		2500	2.15	20	120
	Yellow	589		2500	2.15	20	120
L0231CBHxI-3	Red	632		1500	2.15	20	120
	Blue	470		1600	3.60	20	120
L0231ABUxI-3	Red	632		2500	2.15	20	120
	Blue	470		3500	3.60	20	120

Notes: 1. All dimensions are in millimeter (inches) , tolerance is 0.25 unless otherwise noted.  
2. Specifications are subject to change without notice.

**L0250xx2**



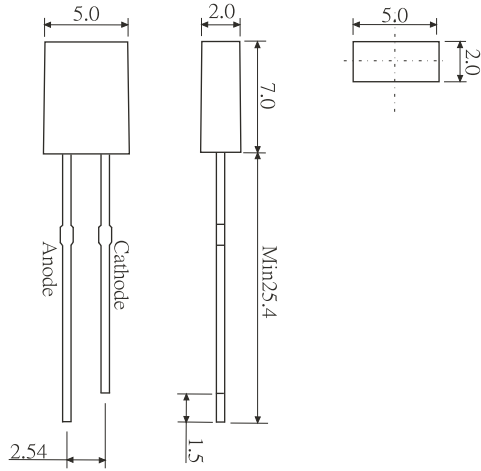
**L0250xx3**



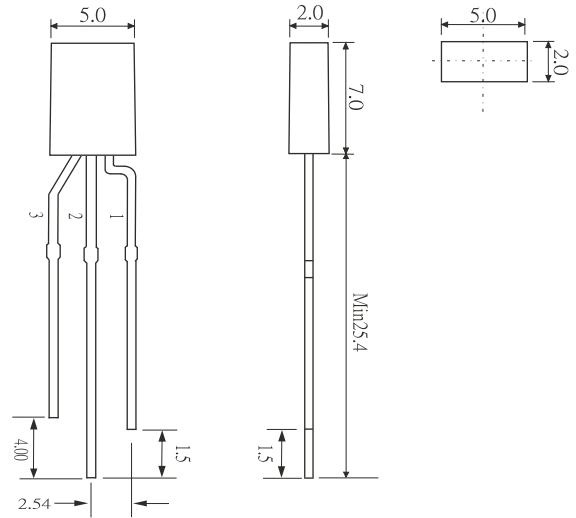
Part no.	Colour	Wave Length	Lens Color (x)	Luminous Intensity (mcd)	Forward Voltage ( V )	Forward Current ( mA )	0°
L0250DKxI-2	Red	632		500	2.15	20	120
	Green	565		500	2.15	20	120
L0250CJxI-2	Red	632		1500	2.15	20	120
	Green	565		1500	2.15	20	120
L0250AJxI-2	Red	632		2500	2.15	20	120
	Green	565		2500	2.15	20	120
L0250CIxI-2	Red	632		1500	2.15	20	120
	Yellow	589		1300	2.15	20	120
L0250AIxI-2	Red	632		2500	2.15	20	120
	Yellow	589		2500	2.15	20	120
L0250CBHxI-2	Red	632		1500	2.15	20	120
	Blue	470		1600	3.60	20	120
L0250ABUxI-2	Red	632		2500	2.15	20	120
	Blue	470	W- White	3500	3.60	20	120
L0250DKxI-3	Red	632	C - Water Clear	500	2.15	20	120
	Green	565		500	2.15	20	120
L0250CJxI-3	Red	632		1500	2.15	20	120
	Green	565		1500	2.15	20	120
L0250AJxI-3	Red	632		2500	2.15	20	120
	Green	565		2500	2.15	20	120
L0250CIxI-3	Red	632		1500	2.15	20	120
	Yellow	589		1300	2.15	20	120
L0250AIxI-3	Red	632		2500	2.15	20	120
	Yellow	589		2500	2.15	20	120
L0250CBHxI-3	Red	632		1500	2.15	20	120
	Blue	470		1600	3.60	20	120
L0250ABUxI-3	Red	632		2500	2.15	20	120
	Blue	470		3500	3.60	20	120

Notes: 1. All dimensions are in millimeter (inches) , tolerance is 0.25 unless otherwise noted.  
2.Specifications are subject to change without notice.

**L0251xx2**



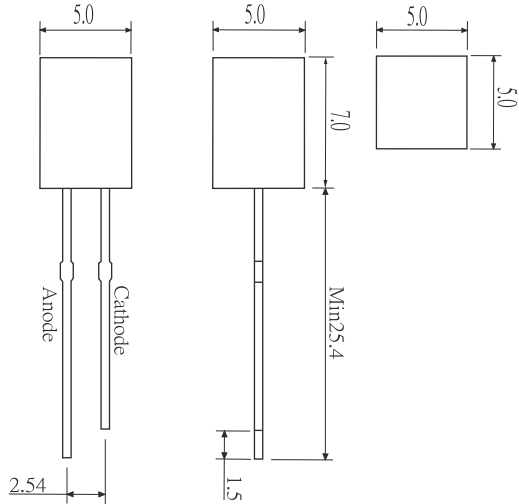
**L0251xx3**



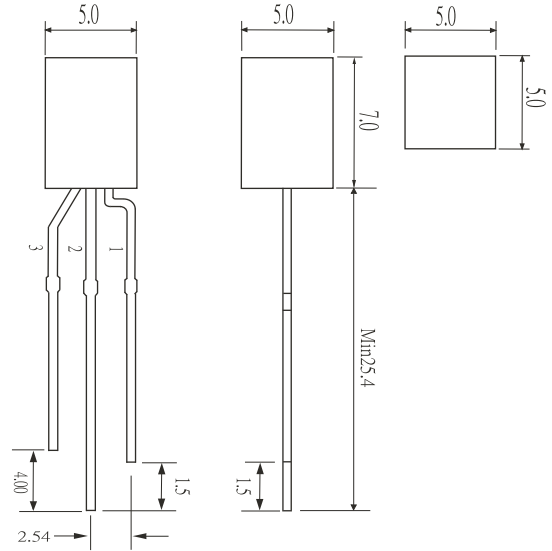
Part no.	Colour	Wave Length	Lens Color (x)	Luminous Intensity (mcd)	Forward Voltage ( V )	Forward Current ( mA )	0°
L0251DKxI-2	Red	632		500	2.15	20	120
	Green	565		500	2.15	20	120
L0251CJxI-2	Red	632		1500	2.15	20	120
	Green	565		1500	2.15	20	120
L0251AJxI-2	Red	632		2500	2.15	20	120
	Green	565		2500	2.15	20	120
L0251CIxI-2	Red	632		1500	2.15	20	120
	Yellow	589		1300	2.15	20	120
L0251AIxI-2	Red	632		2500	2.15	20	120
	Yellow	589		2500	2.15	20	120
L0251CBHxI-2	Red	632		1500	2.15	20	120
	Blue	470		1600	3.60	20	120
L0251ABUxI-2	Red	632		2500	2.15	20	120
	Blue	470	W- White	3500	3.60	20	120
L0251DKxI-3	Red	632	C - Water Clear	500	2.15	20	120
	Green	565		500	2.15	20	120
L0251CJxI-3	Red	632		1500	2.15	20	120
	Green	565		1500	2.15	20	120
L0251AJxI-3	Red	632		2500	2.15	20	120
	Green	565		2500	2.15	20	120
L0251CIxI-3	Red	632		1500	2.15	20	120
	Yellow	589		1300	2.15	20	120
L0251AIxI-3	Red	632		2500	2.15	20	120
	Yellow	589		2500	2.15	20	120
L0251CBHxI-3	Red	632		1500	2.15	20	120
	Blue	470		1600	3.60	20	120
L0251ABUxI-3	Red	632		2500	2.15	20	120
	Blue	470		3500	3.60	20	120

Notes: 1. All dimensions are in millimeter (inches) , tolerance is 0.25 unless otherwise noted.  
2. Specifications are subject to change without notice.

**L0551xx2**



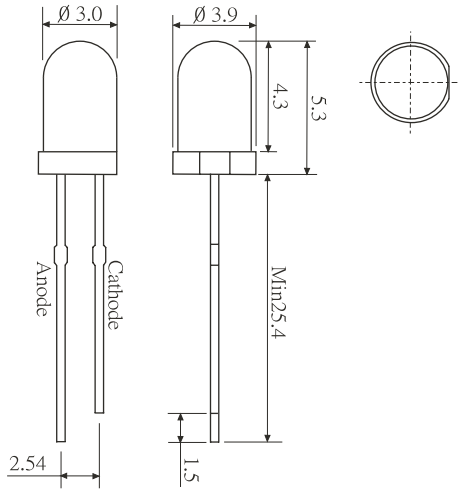
**L0551xx3**



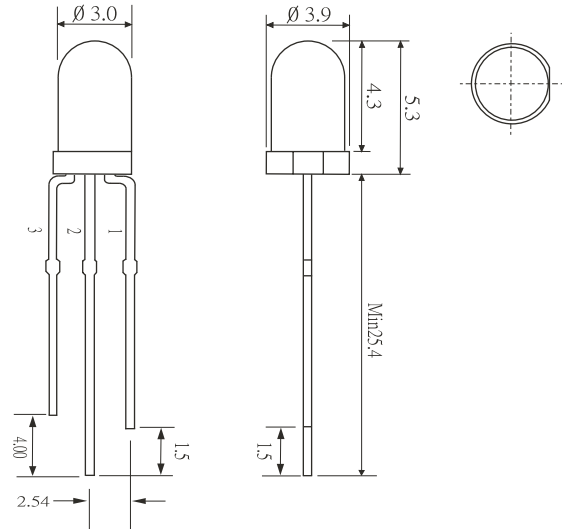
Part no.	Colour	Wave Length	Lens Color (x)	Luminous Intensity (mcd)	Forward Voltage ( V )	Forward Current ( mA )	0°
L0551DKxI-2	Red	632		500	2.15	20	120
	Green	565		500	2.15	20	120
L0551CJxI-2	Red	632		1500	2.15	20	120
	Green	565		1500	2.15	20	120
L0551AJxI-2	Red	632		2500	2.15	20	120
	Green	565		2500	2.15	20	120
L0551CIxI-2	Red	632		1500	2.15	20	120
	Yellow	589		1300	2.15	20	120
L0551AIxI-2	Red	632		2500	2.15	20	120
	Yellow	589		2500	2.15	20	120
L0551CBHxI-2	Red	632		1500	2.15	20	120
	Blue	470		1600	3.60	20	120
L0551ABUxI-2	Red	632		2500	2.15	20	120
	Blue	470	W- White	3500	3.60	20	120
L0551DKxI-3	Red	632	C - Water Clear	500	2.15	20	120
	Green	565		500	2.15	20	120
L0551CJxI-3	Red	632		1500	2.15	20	120
	Green	565		1500	2.15	20	120
L0551AJxI-3	Red	632		2500	2.15	20	120
	Green	565		2500	2.15	20	120
L0551CIxI-3	Red	632		1500	2.15	20	120
	Yellow	589		1300	2.15	20	120
L0551AIxI-3	Red	632		2500	2.15	20	120
	Yellow	589		2500	2.15	20	120
L0551CBHxI-3	Red	632		1500	2.15	20	120
	Blue	470		1600	3.60	20	120
L0551ABUxI-3	Red	632		2500	2.15	20	120
	Blue	470		3500	3.60	20	120

Notes: 1. All dimensions are in millimeter (inches) , tolerance is 0.25 unless otherwise noted.  
2. Specifications are subject to change without notice.

**L030xx2**



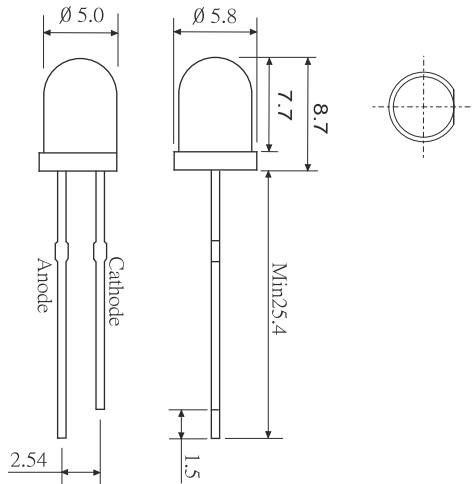
**L030xx3**



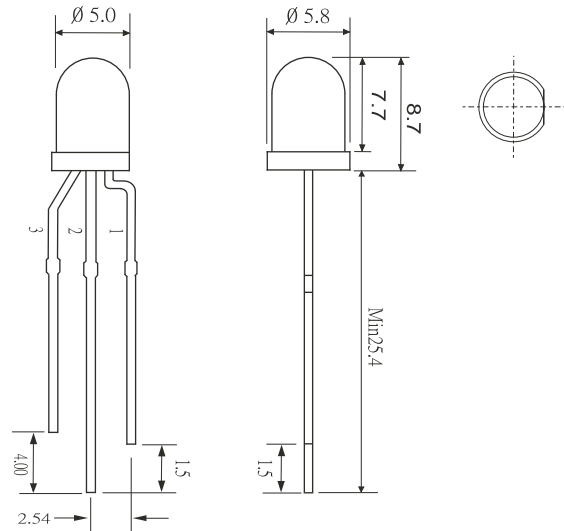
Part no.	Colour	Wave Length	Lens Color (x)	Luminous Intensity (mcd)	Forward Voltage (V)	Forward Current (mA)	0°
L030DKxI-2	Red	632		500	2.15	20	25
	Green	565		500	2.15	20	25
L030CJxI-2	Red	632		1500	2.15	20	25
	Green	565		1500	2.15	20	25
L030AJxI-2	Red	632		2500	2.15	20	25
	Green	565		2500	2.15	20	25
L030CIxI-2	Red	632		1500	2.15	20	25
	Yellow	589		1300	2.15	20	25
L030AIxI-2	Red	632		2500	2.15	20	25
	Yellow	589		2500	2.15	20	25
L030CBHxI-2	Red	632		1500	2.15	20	25
	Blue	470		1600	3.60	20	25
L030ABUxI-2	Red	632		2500	2.15	20	25
	Blue	470	W- White	3500	3.60	20	25
L030DKxI-3	Red	632	C - Water Clear	500	2.15	20	25
	Green	565		500	2.15	20	25
L030CJxI-3	Red	632		1500	2.15	20	25
	Green	565		1500	2.15	20	25
L030AJxI-3	Red	632		2500	2.15	20	25
	Green	565		2500	2.15	20	25
L030CIxI-3	Red	632		1500	2.15	20	25
	Yellow	589		1300	2.15	20	25
L030AIxI-3	Red	632		2500	2.15	20	25
	Yellow	589		2500	2.15	20	25
L030CBHxI-3	Red	632		1500	2.15	20	25
	Blue	470		1600	3.60	20	25
L030ABUxI-3	Red	632		2500	2.15	20	25
	Blue	470		3500	3.60	20	25

Notes: 1. All dimensions are in millimeter (inches), tolerance is 0.25 unless otherwise noted.  
2. Specifications are subject to change without notice.

**L050xx2**



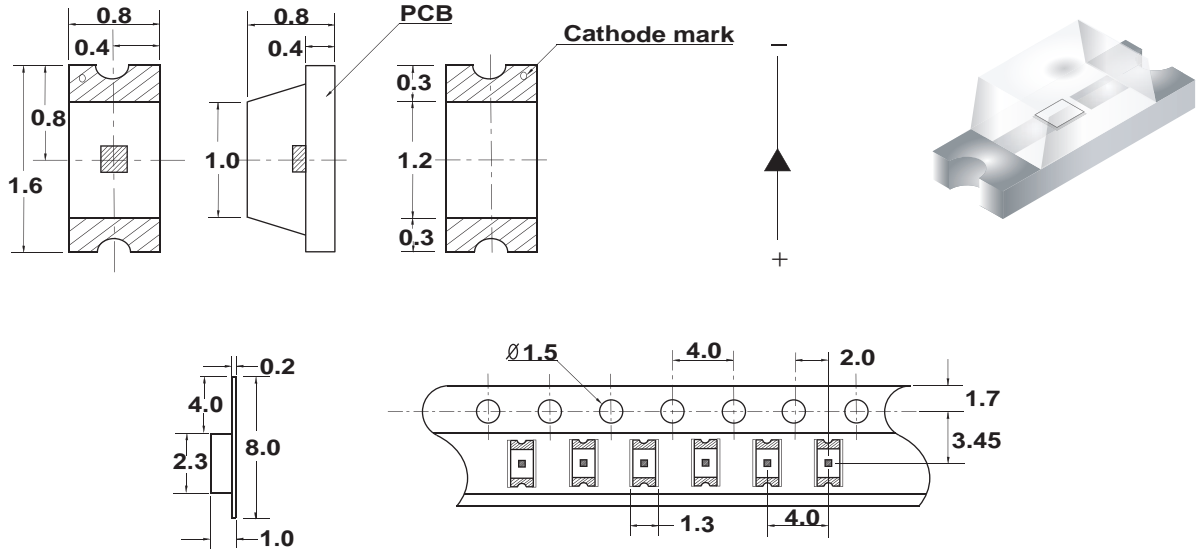
**L050xx3**



Part no.	Colour	Wave Length	Lens Color (x)	Luminous Intensity (mcd)	Forward Voltage ( V )	Forward Current ( mA )	0°
L050DKxI-2	Red	632		500	2.15	20	25
	Green	565		500	2.15	20	25
L050CJxI-2	Red	632		1500	2.15	20	25
	Green	565		1500	2.15	20	25
L050AJxI-2	Red	632		2500	2.15	20	25
	Green	565		2500	2.15	20	25
L050CIxI-2	Red	632		1500	2.15	20	25
	Yellow	589		1300	2.15	20	25
L050AIxI-2	Red	632		2500	2.15	20	25
	Yellow	589		2500	2.15	20	25
L050CBHxI-2	Red	632		1500	2.15	20	25
	Blue	470		1600	3.60	20	25
L050ABUxI-2	Red	632		2500	2.15	20	25
	Blue	470	W- White	3500	3.60	20	25
L050DKxI-3	Red	632	C - Water Clear	500	2.15	20	25
	Green	565		500	2.15	20	25
L050CJxI-3	Red	632		1500	2.15	20	25
	Green	565		1500	2.15	20	25
L050AJxI-3	Red	632		2500	2.15	20	25
	Green	565		2500	2.15	20	25
L050CIxI-3	Red	632		1500	2.15	20	25
	Yellow	589		1300	2.15	20	25
L050AIxI-3	Red	632		2500	2.15	20	25
	Yellow	589		2500	2.15	20	25
L050CBHxI-3	Red	632		1500	2.15	20	25
	Blue	470		1600	3.60	20	25
L050ABUxI-3	Red	632		2500	2.15	20	25
	Blue	470		3500	3.60	20	25

Notes: 1. All dimensions are in millimeter (inches) , tolerance is 0.25 unless otherwise noted.  
2.Specifications are subject to change without notice.

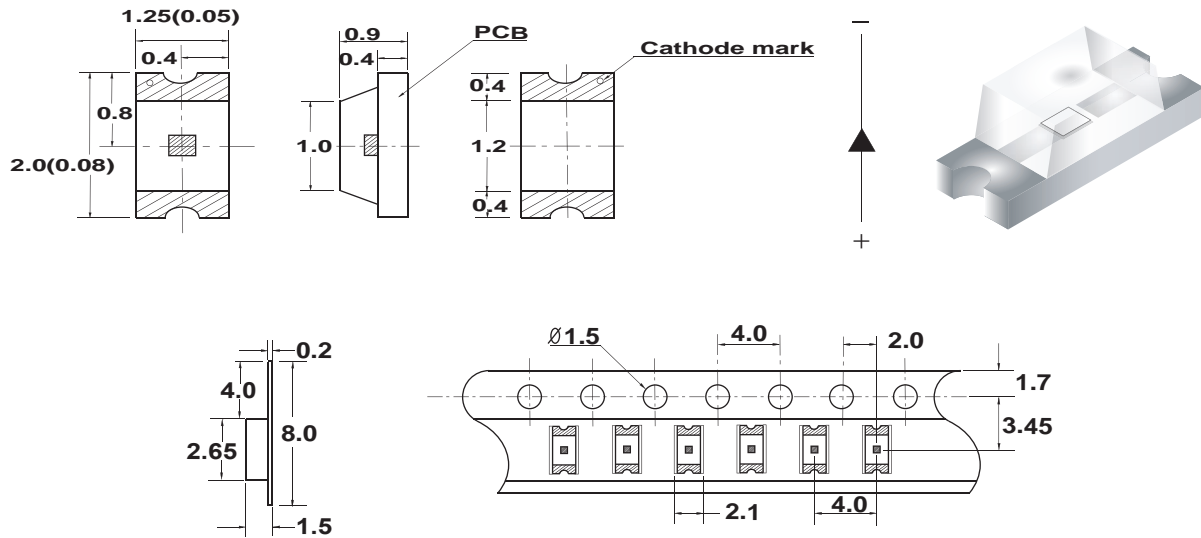
0603



Part no	Colour	Wave Length	Lens Color(x)	Luminous Intensity (mcd)	Forward Voltage(V)	Forward Current (mA)	Viewing Angle
0603CC	Red	630	Water Clear	15	2.1-2.6	20	120
0603AC	Red	625		70	2.1-2.6	20	120
0603JC	Green	570		20	2.1-2.5	20	120
0603JC-S	Green	570		85	2.1-2.5	20	120
0603IC	Yellow	590		10	2.1-2.6	20	120
0603IC-S	Yellow	590		85	2.2-2.7	20	120
0603IC-U	Yellow	590		120	2.2-2.7	20	120
0603BHC	Blue	470		15	3.6-4.2	20	120
0603BUC	Blue	470		35	3.0-3.4	20	120
0603BLC	Blue	470		10	3.6-4.2	20	120
0603WC	White	---		20	3.2-4.0	20	120
0603WHC	White	---		62	3.4-3.9	20	120
0603WUC	White	---		120	3.5-4.0	20	120

Notes: 1. All dimensions are in millimeter (inches) , tolerance is 0.25 unless otherwise noted.  
2. Specifications are subject to change without notice.

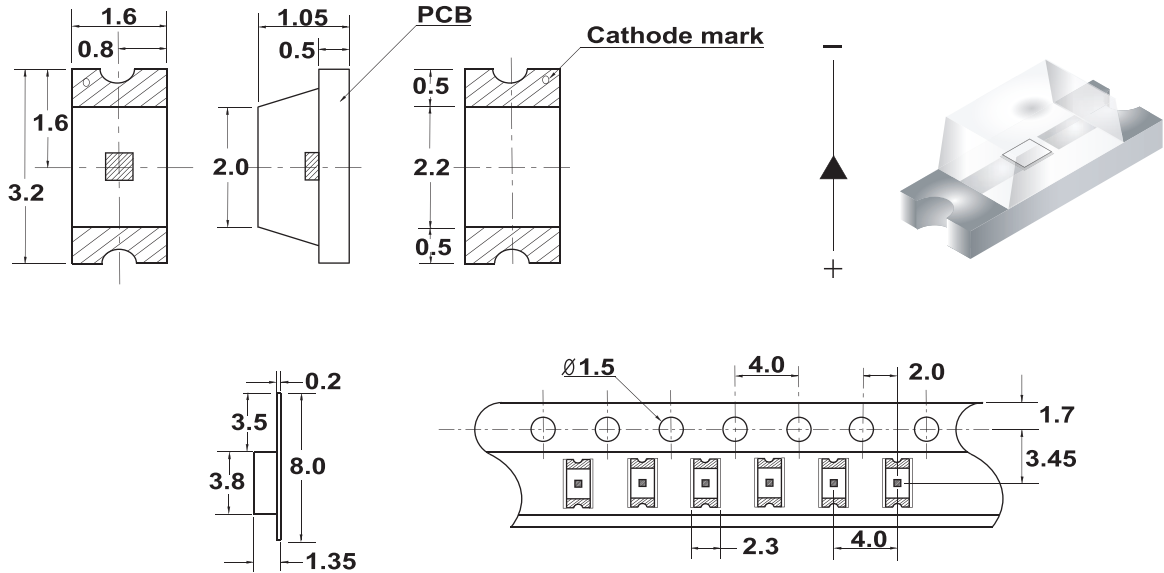
0805



Part ,no	Colour	Wave Length	Lens Color(x)	Luminous Intensity (mcd)	Forward Voltage(V)	Forward Current (mA)	Viewing Angle
0805CC	Red	630	Water Clear	30	2.1-2.5	20	120
0805AC	Red	625		70	2.1-2.6	20	120
0805JC	Green	570		20	2.1-2.5	20	120
0805JC-S	Green	525		90	3.0-3.6	20	120
0805IC	Yellow	590		10	2.1-2.6	20	120
0805IC-S	Yellow	590		90	2.2-2.7	20	120
0805IC-U	Yellow	590		128	2.2-2.7	20	120
0805BLC	Blue	470		10	3.6-4.2	20	120
0805BHC	Blue	470		15	3.6-4.2	20	120
0805BUC	Blue	470		40	3.0-3.4	20	120
0805WC	White	---		20	3.2-4.0	20	120
0805WHC	White	---		70	3.2-3.7	20	120
0805WUC	White	---		230	3.5-4.0	20	120

Notes: 1. All dimensions are in millimeter (inches) , tolerance is 0.25 unless otherwise noted.  
2.Specifications are subject to change without notice.

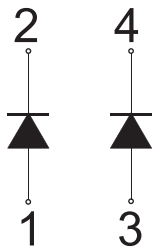
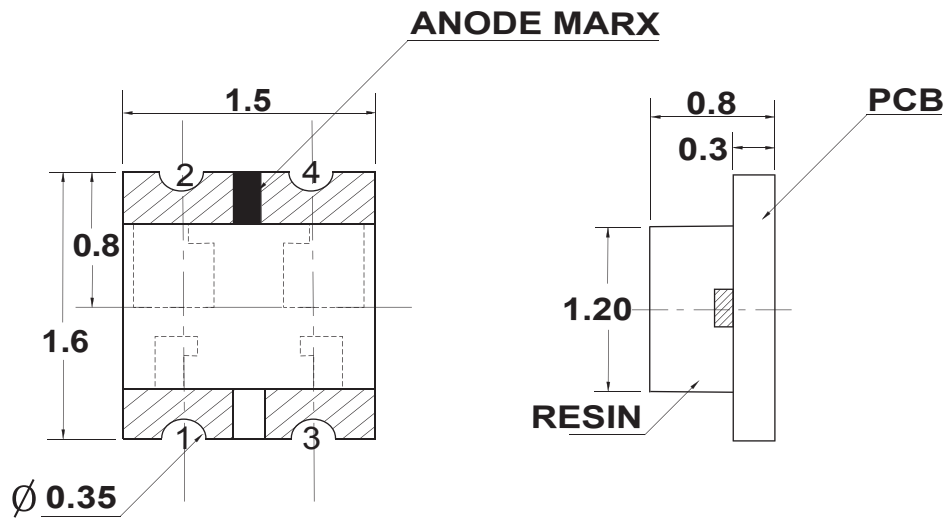
1206



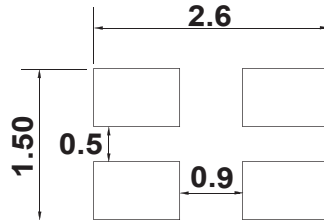
Part ,no	Colour	Wave Length	Lens Color(x)	Luminous Intensity (mcd)	Forward Voltage(V)	Forward Current (mA)	Viewing Angle
1206CC	Red	630	Water Clear	40	2.1-2.6	20	120
1206AC	Red	625		80	2.1-2.6	20	120
1206JC	Green	570		30	2.1-2.5	20	120
1206JC-S	Green	570		100	2.1-2.5	20	120
1206IC	Yellow	585		10	2.1-2.16	20	120
1206IC-S	Yellow	585		85	2.2-2.7	20	120
1206IC-U	Yellow	585		130	2.2-2.7	20	120
1206BLC	Blue	470		10	3.3-4.0	20	120
1206BHC	Blue	470		20	3.6-4.2	20	120
1206BUC	Blue	470		45	3.0-3.4	20	120
1206WC	White	---		20	3.2-4.0	20	120
1206WHC	White	---		140	3.2-3.7	20	120
1206WUC	White	---		250	3.2-3.7	20	120

Notes: 1. All dimensions are in millimeter (inches) , tolerance is 0.25 unless otherwise noted.  
2. Specifications are subject to change without notice.

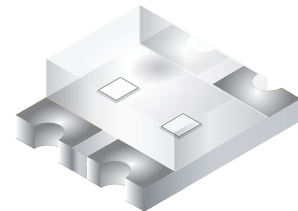
0603



INTERNAL CIRCUIT



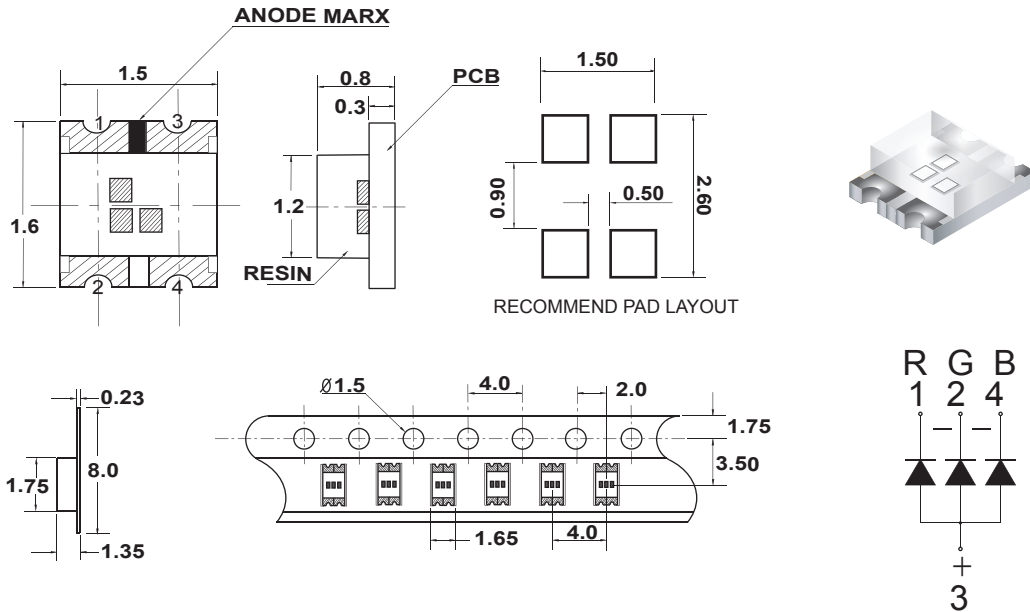
RECOMMEND PAD LAYOUT



Pant No	Color	Test Condition(IF)	Wave Length	Lens Color	Luminous Intensity (mcd)	Forward Voltage (V)	Forward Current (mA)	Viewing Angle
0603CJC	Red	20mA	640	Water Clear	10	1.9 ~ 2.4	30	140°
	Green		565		18	2.1 ~ 2.6		
0603IJC	Yellow	20mA	585		7	2.1 ~ 2.5	30	140°
	Green		565		11	2.25 ~ 2.7		

Notes: 1. All dimensions are in millimeter (inches) , tolerance is 0.25 unless otherwise noted.  
2.Specifications are subject to change without notice.

**0603RGBC**



**Absolute maximum ratings(Ta=25°C)**

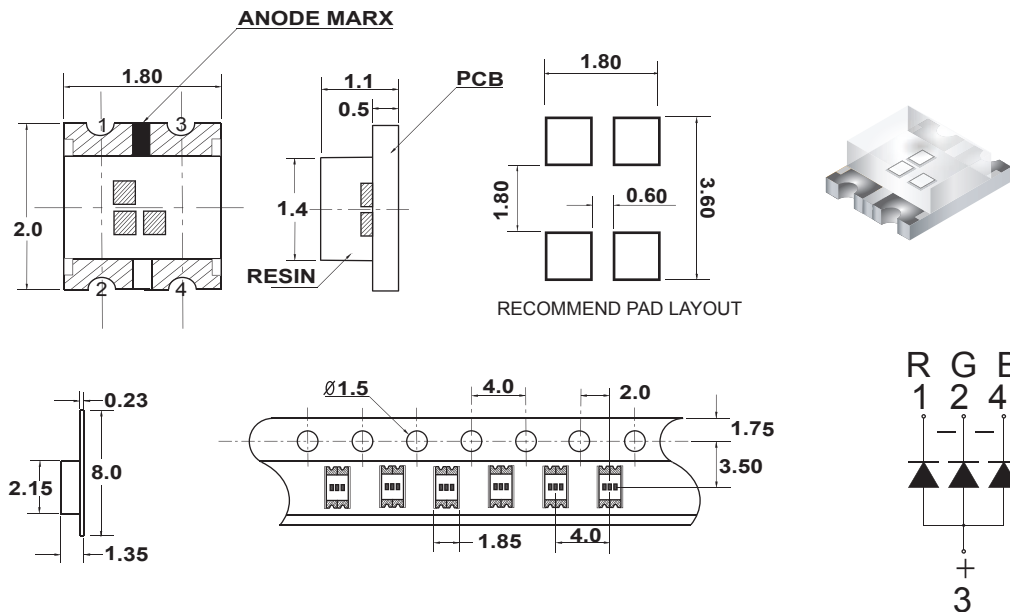
Parameter	Symbol	Value			Unit
		R	G	B	
Power dissipation	Pd	75	114	120	mW
Forward current	If	30			mA
Reverse voltage	Vr	5			V
Operating temperature range	Top	- 20 to + 80			°C
Storage temperature range	Tstg	- 20 to + 80			°C
Peak pulsing current (1/8 duty f=1kHz)	Ifp	125			mA

**Electro-Optical Characteristics(Ta=25°C)**

Parameter	Test Condition	Symbol	Value			Unit	
			Min	Typ	Max		
Wavelength at peak emission	If=20mA	$\lambda_{peak}$	R	635	640	645	nm
			G	520	525	530	
			B	460	465	470	
Spectral half bandwidth	If=20mA	$\Delta\lambda$	R	-	21	-	nm
			G	-	40	-	
			B	-	40	-	
Dominant wavelength	If=20mA	$\lambda_{dom}$	R	-	630	-	nm
			G	-	527	-	
			B	-	472	-	
Forward voltage	If=20mA	Vf	R	-	2	2.5	V
			G	-	3.2	3.8	
			B	-	3.5	4	
Luminous intensity	If=20mA	Iv	R	80	-	-	mcd
			G	67	-	-	
			B	40	-	-	
Viewing angle at 50% Iv	If=10mA	2 $\theta$ 1/2	-	140	-	Deg	
Reverse current	Vr=5V	Ir	-	-	10	$\mu$ A	

Notes: 1. All dimensions are in millimeter (inches) , tolerance is 0.25 unless otherwise noted.  
2. Specifications are subject to change without notice.

**0805RGBC**



**Absolute maximum ratings(Ta=25°C)**

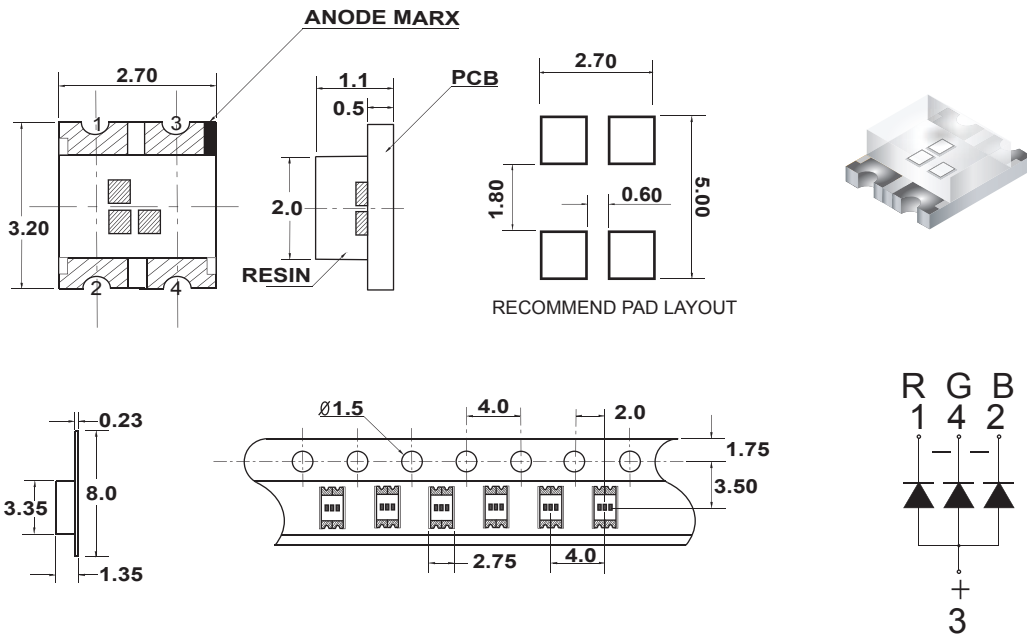
Parameter	Symbol	Value			Unit
		R	G	B	
Power dissipation	Pd	75	114	120	mW
Forward current	If	30			mA
Reverse voltage	Vr	5			V
Operating temperature range	Top	- 20 to + 80			°C
Storage temperature range	Tstg	- 20 to + 80			°C
Peak pulsing current (1/8 duty f=1kHz)	Ifp	125			mA

**Electro-Optical Characteristics(Ta=25°C)**

Parameter	Test Condition	Symbol	Value			Unit	
			Min	Typ	Max		
Wavelength at peak emission	If=20mA	$\lambda_{peak}$	R	635	640	645	nm
			G	520	525	530	
			B	460	465	470	
Spectral half bandwidth	If=20mA	$\Delta\lambda$	R	-	21	-	nm
			G	-	40	-	
			B	-	40	-	
Dominant wavelength	If=20mA	$\lambda_{dom}$	R	-	630	-	nm
			G	-	527	-	
			B	-	472	-	
Forward voltage	If=20mA	Vf	R	-	2	2.5	V
			G	-	3.2	3.8	
			B	-	3.5	4	
Luminous intensity	If=20mA	Iv	R	80	-	-	mcd
			G	67	-	-	
			B	40	-	-	
Viewing angle at 50% Iv	If=10mA	2 $\theta$ 1/2	-	140	-	Deg	
Reverse current	Vr=5V	Ir	-	-	10	$\mu$ A	

Notes: 1. All dimensions are in millimeter (inches) , tolerance is 0.25 unless otherwise noted.  
2.Specifications are subject to change without notice.

**1206RGB**



**Absolute maximum ratings(Ta=25°C)**

Parameter	Symbol	Value			Unit
		R	G	B	
Power dissipation	Pd	75	114	114	mW
Forward current	If	30			mA
Reverse voltage	Vr	5			V
Operating temperature range	Top	- 20 to + 80			°C
Storage temperature range	Tstg	- 20 to + 80			°C
Peak pulsing current (1/8 duty f=1kHz)	Ifp	125			mA

**Electro-Optical Characteristics(Ta=25°C)**

Parameter	Test Condition	Symbol	Value			Unit	
			Min	Typ	Max		
Wavelength at peak emission	If=20mA	$\lambda_{peak}$	R	-	652	-	nm
			G	-	520	-	
			B	-	460	-	
Spectral half bandwidth	If=20mA	$\Delta\lambda$	R	-	20	-	nm
			G	-	40	-	
			B	-	30	-	
Dominant wavelength	If=20mA	$\lambda_{dom}$	R	632	637	642	nm
			G	520	525	530	
			B	460	465	470	
Forward voltage	If=20mA	Vf	R	-	2.0	2.5	V
			G	-	3.2	3.8	
			B	-	3.2	3.8	
Luminous intensity	If=20mA	Iv	R	50	65	-	mcd
			G	100	125	-	
			B	30	35	-	
Viewing angle at 50% Iv	If=10mA	2 $\theta$ 1/2	-	140	-	Deg	
Reverse current	Vr=5V	Ir	-	-	10	$\mu$ A	

Notes: 1. All dimensions are in millimeter (inches) , tolerance is 0.25 unless otherwise noted.  
2. Specifications are subject to change without notice.

Fig.1

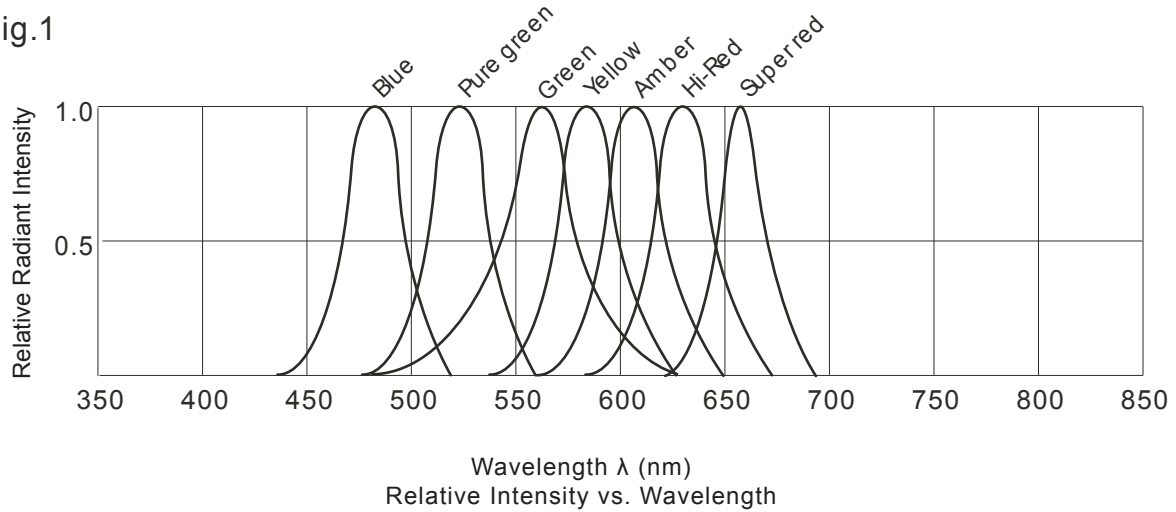


Fig.2

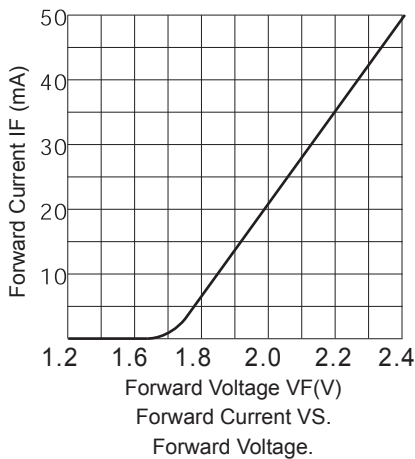


Fig.3

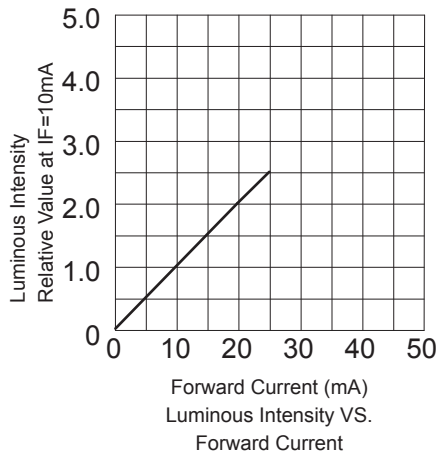
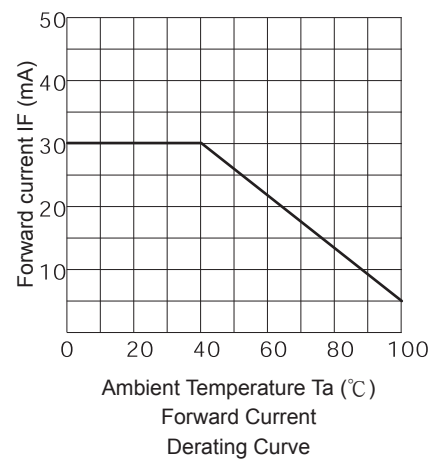


Fig.4



Code:R

Parameter	Symbol	Condition	Min	Typ	Max	Unit
Forward Voltage	Vf	If=20mA	1.3	-	-	V
Reverse Voltage	Vr	If=10mA	5	-	-	V
Luminous Intensity	Iv	If=20mA	-	50		mcd
Spectrum With of Half Value	$\Delta\lambda$	If=20mA		22		nm
Wavelength	Dλ	If=20mA		643		

LED working lifetime 100,000 hrs  
Absolute Maximum Rating at Ta=25 °C

Fig.1

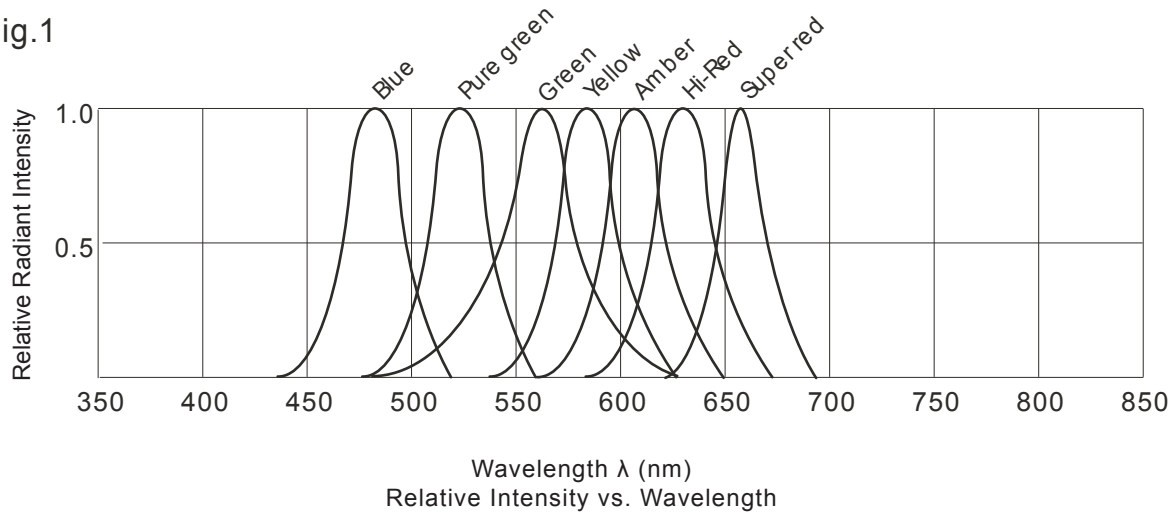


Fig.2

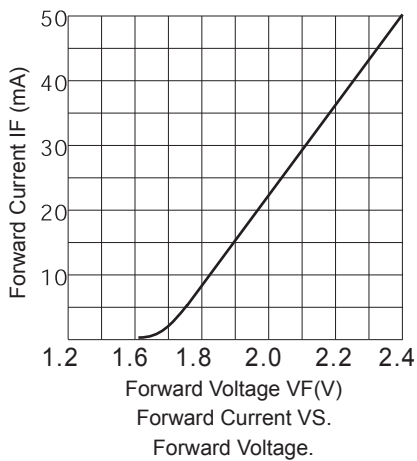


Fig.3

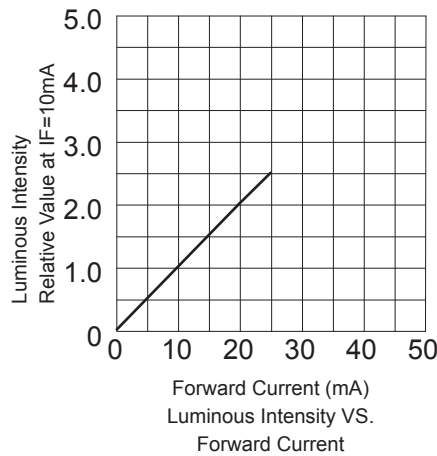
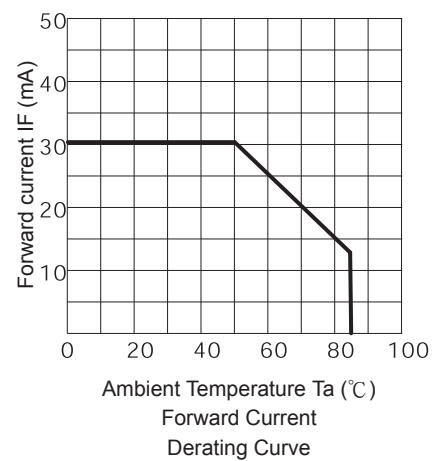


Fig.4



**Code:UR**

Parameter	Symbol	Condition	Min	Typ	Max	Unit
Forward Voltage	$V_f$	$I_f=20\text{mA}$	1.3	-	-	V
Reverse Voltage	$V_r$	$I_f=10\text{mA}$	5	-	-	V
Luminous Intensity	$I_v$	$I_f=20\text{mA}$		20		mcd
Spectrum With of Half Value	$\Delta\lambda$	$I_f=20\text{mA}$		22		nm
Wavelength	$D\lambda$	$I_f=20\text{mA}$		660		

Absolute Maximum Rating at  $T_a=25^{\circ}\text{C}$

Notes: 1. All dimensions are in millimeter (inches), tolerance is 0.25 unless otherwise noted.  
2. Specifications are subject to change without notice.

Fig.1

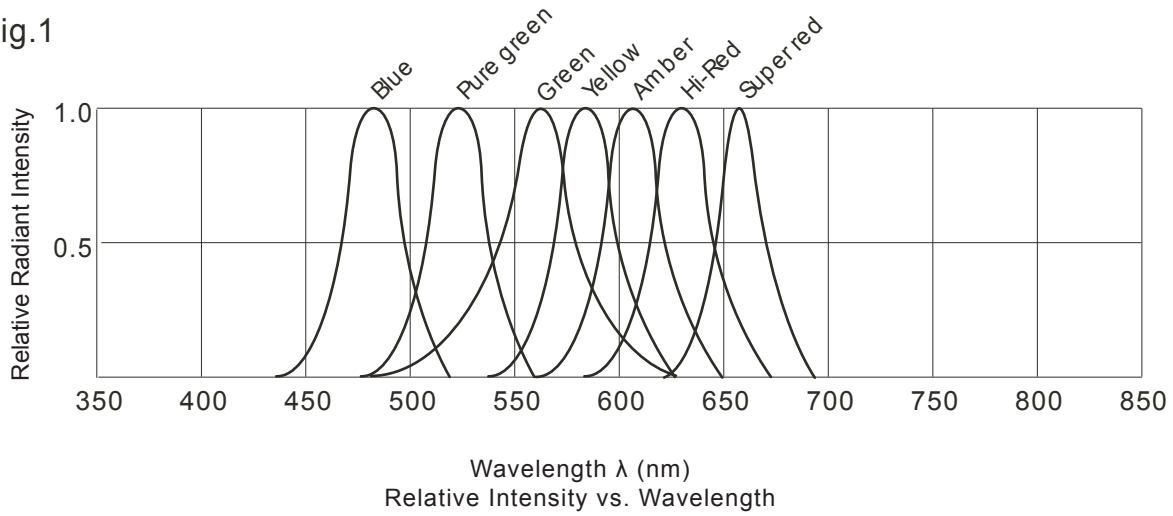


Fig.2

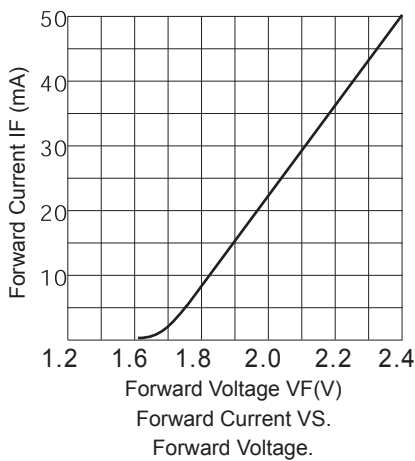


Fig.3

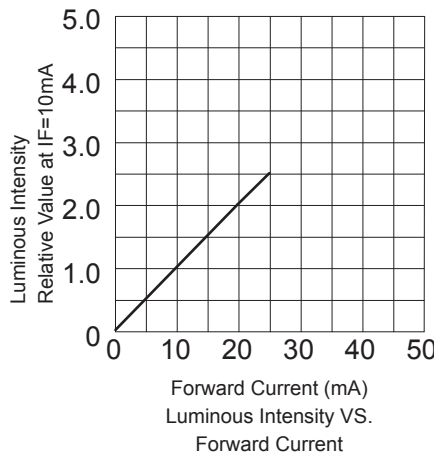
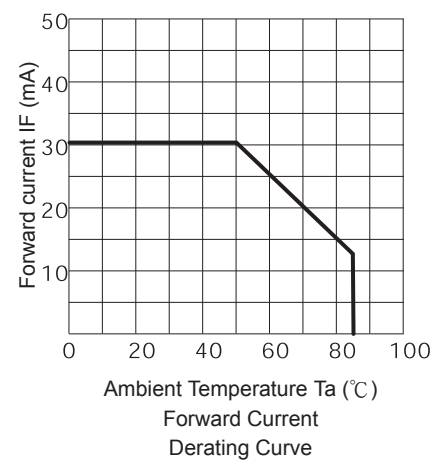


Fig.4



**Code:SR**

Parameter	Symbol	Condition	Min	Typ	Max	Unit
Forward Voltage	Vf	If=20mA	-	1.8	2.0	V
Reverse Voltage	Vr	If=10mA	5	-	-	V
Luminous Intensity	Iv	If=20mA	10		16	mcd
Spectrum With of Half Value	$\Delta\lambda$	If=20mA		20		nm
Wavelength	D $\lambda$	If=20mA		645		

Absolute Maximum Rating at Ta=25°C

Fig.1

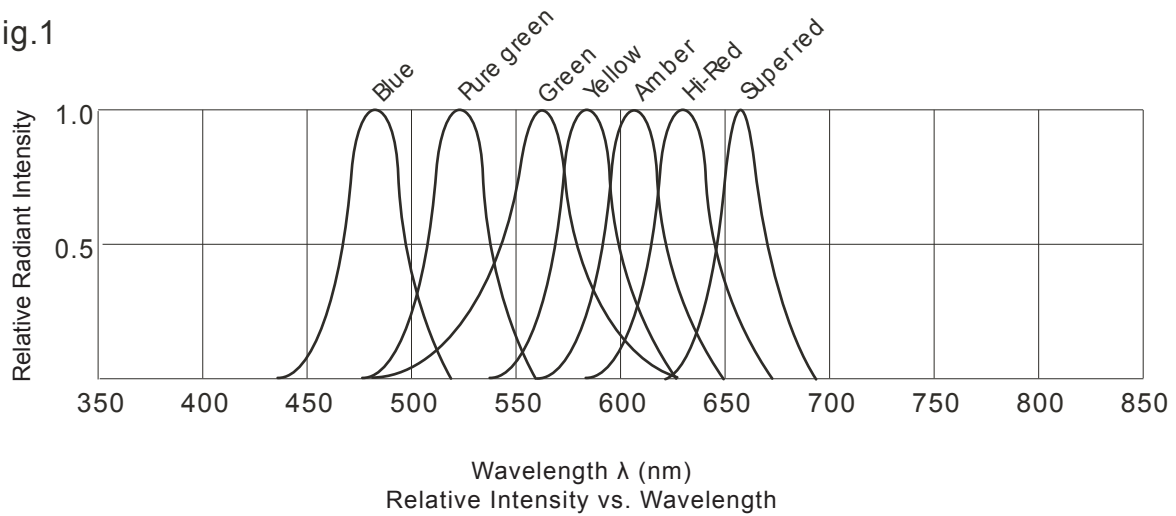


Fig.2

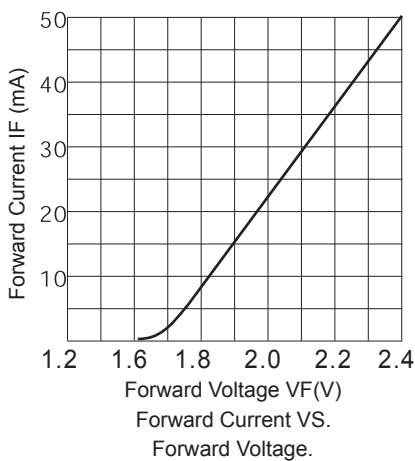


Fig.3

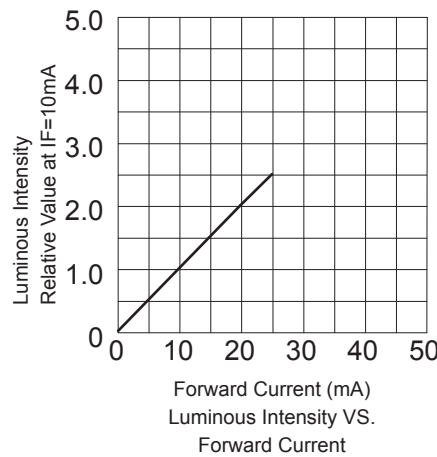
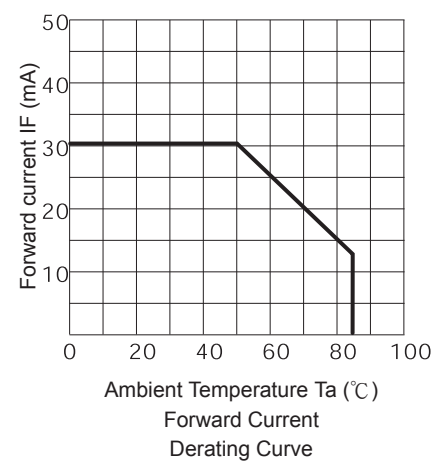


Fig.4



**Code:HR**

Parameter	Symbol	Condition	Min	Typ	Max	Unit
Forward Voltage	Vf	If=20mA	-	1.8	2.0	V
Reverse Voltage	Vr	If=10mA	5	-	-	V
Luminous Intensity	Iv	If=20mA	-	8	-	mcd
Spectrum With of Half Value	$\Delta\lambda$	If=20mA		20		nm
Wavelength	Dλ	If=20mA		645		

Absolute Maximum Rating at Ta=25°C

Notes: 1. All dimensions are in millimeter (inches), tolerance is 0.25 unless otherwise noted.  
2. Specifications are subject to change without notice.

Fig.1

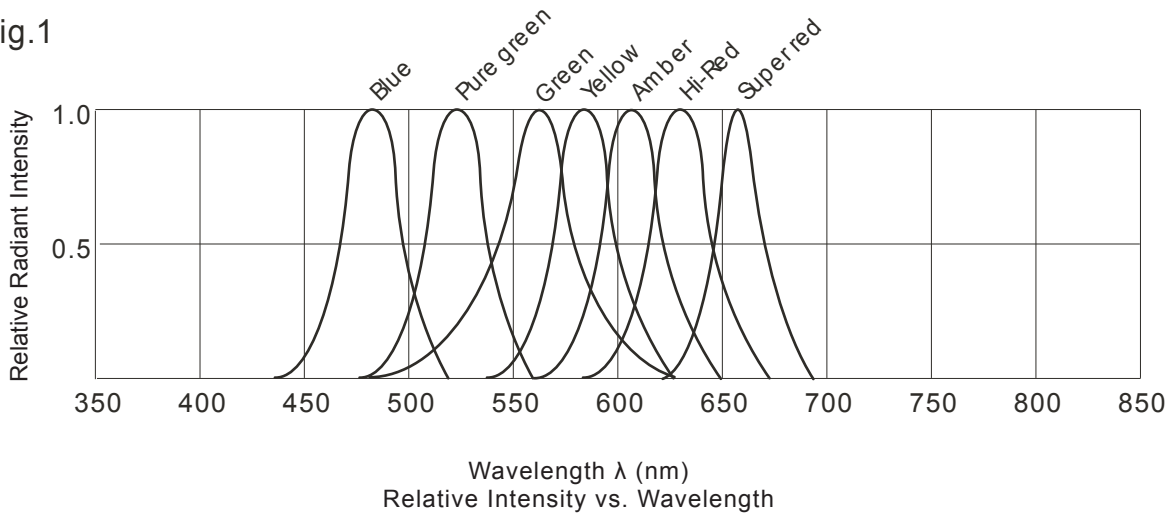


Fig.2

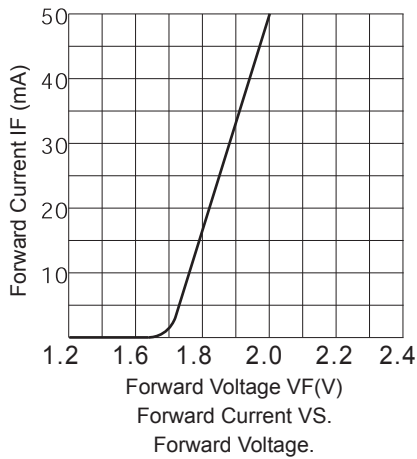


Fig.3

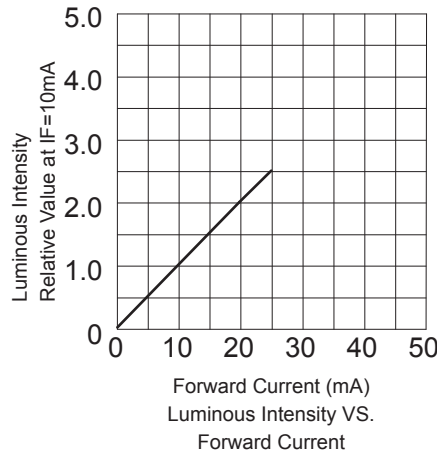
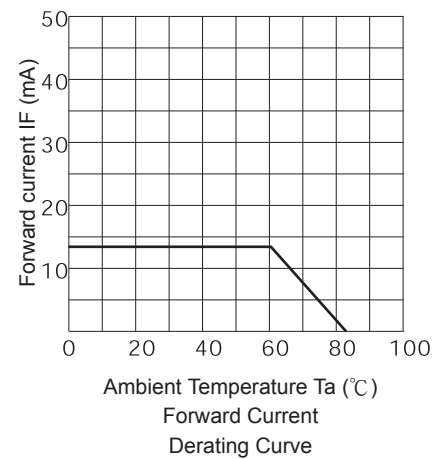


Fig.4



**Code:E**

Parameter	Symbol	Condition	Min	Typ	Max	Unit
Forward Voltage	$V_f$	$I_f=20\text{mA}$	1.5	-	-	V
Reverse Voltage	$V_r$	$I_f=10\text{mA}$	5	-	-	V
Luminous Intensity	$I_v$	$I_f=20\text{mA}$	-	12	-	mcd
Spectrum Width of Half Value	$\Delta\lambda$	$I_f=20\text{mA}$		35		nm
Wavelength	$D\lambda$	$I_f=20\text{mA}$		628		

Absolute Maximum Rating at  $T_a=25^\circ\text{C}$

Fig.1

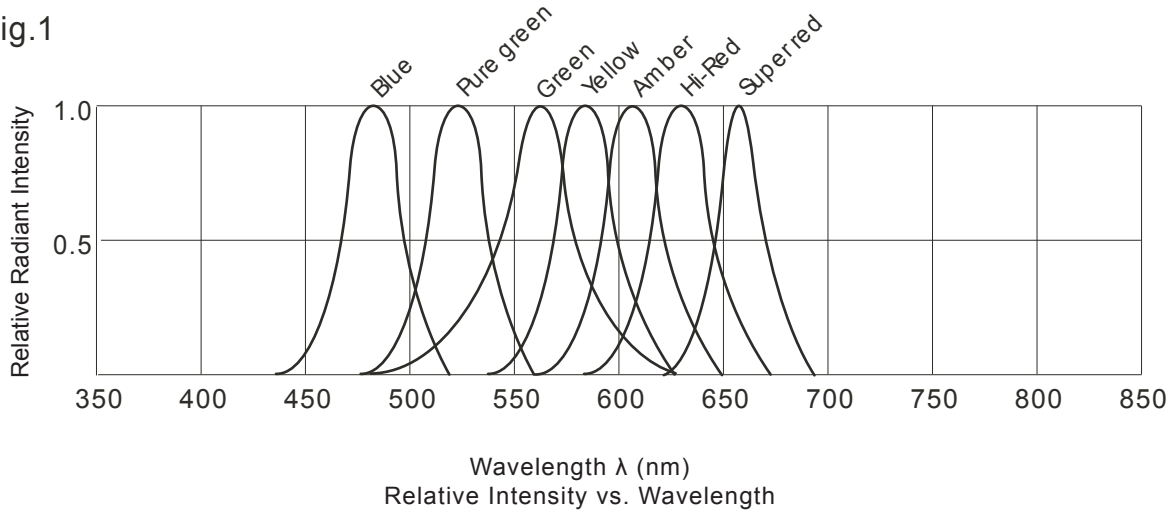


Fig.2

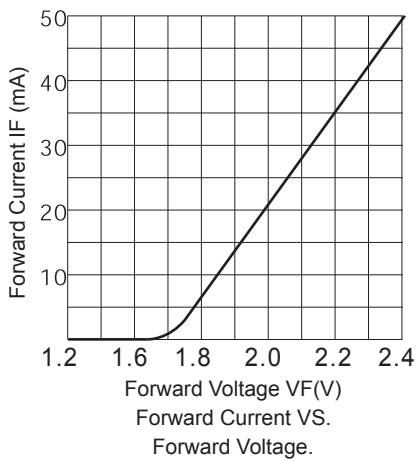


Fig.3

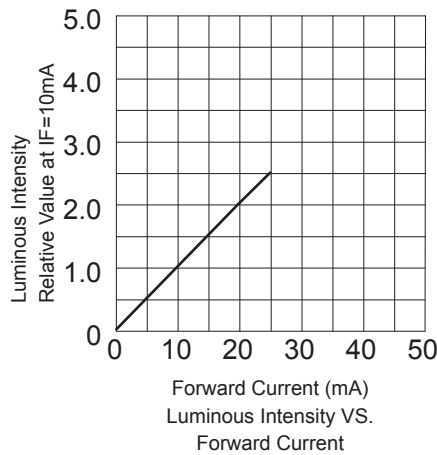
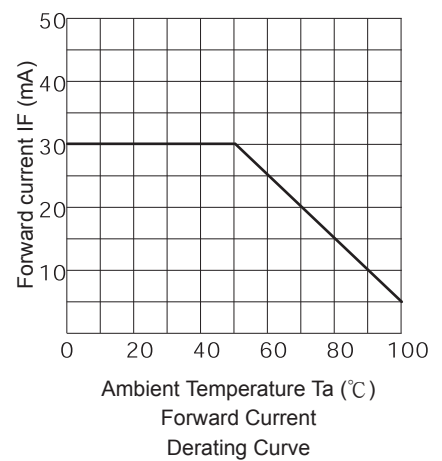


Fig.4



**Code:Y**

Parameter	Symbol	Condition	Min	Typ	Max	Unit
Forward Voltage	$V_f$	$I_f=20\text{mA}$	1.6	-	-	V
Reverse Voltage	$V_r$	$I_f=10\text{mA}$	5	-	-	V
Luminous Intensity	$I_v$	$I_f=20\text{mA}$	-	6	-	mcd
Spectrum With of Half Value	$\Delta\lambda$	$I_f=20\text{mA}$		30		nm
Wavelength	$D\lambda$	$I_f=20\text{mA}$		585		

Absolute Maximum Rating at  $T_a=25^\circ\text{C}$

Notes: 1. All dimensions are in millimeter (inches), tolerance is 0.25 unless otherwise noted.  
2. Specifications are subject to change without notice.

Fig.1

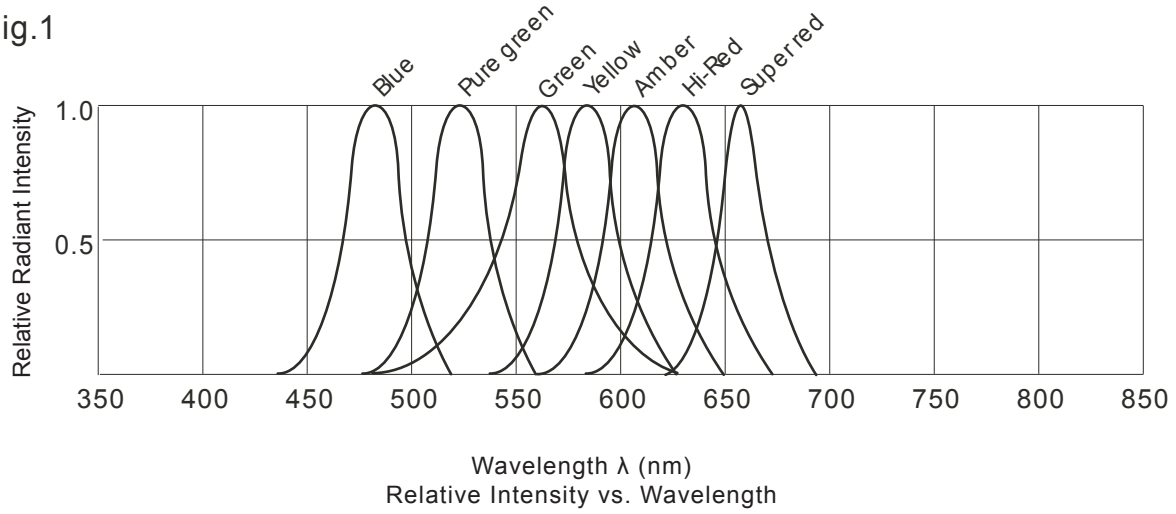


Fig.2

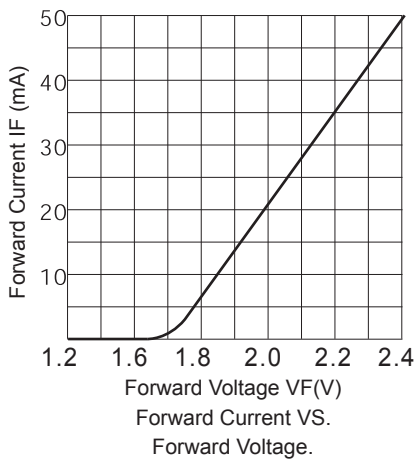


Fig.3

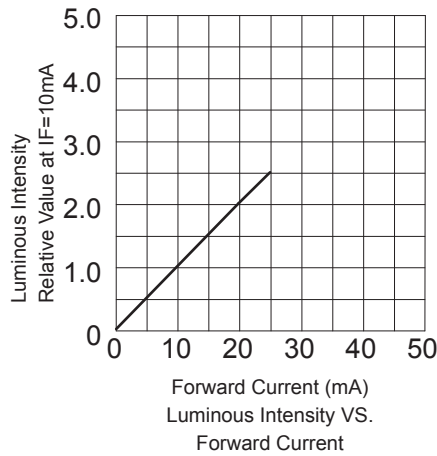
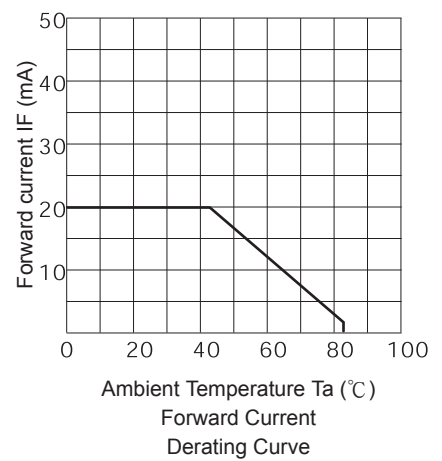


Fig.4



**Code:SG**

Parameter	Symbol	Condition	Min	Typ	Max	Unit
Forward Voltage	$V_f$	$I_f=20\text{mA}$	1.6	-	-	V
Reverse Voltage	$V_r$	$I_f=10\text{mA}$	5	-	-	V
Luminous Intensity	$I_v$	$I_f=20\text{mA}$	-	35	-	mcd
Spectrum With of Half Value	$\Delta\lambda$	$I_f=20\text{mA}$		30		nm
Wavelength	$D\lambda$	$I_f=20\text{mA}$		571		

Absolute Maximum Rating at  $T_a=25^{\circ}\text{C}$

Notes: 1. All dimensions are in millimeter (inches), tolerance is 0.25 unless otherwise noted.  
2. Specifications are subject to change without notice.

Fig.1

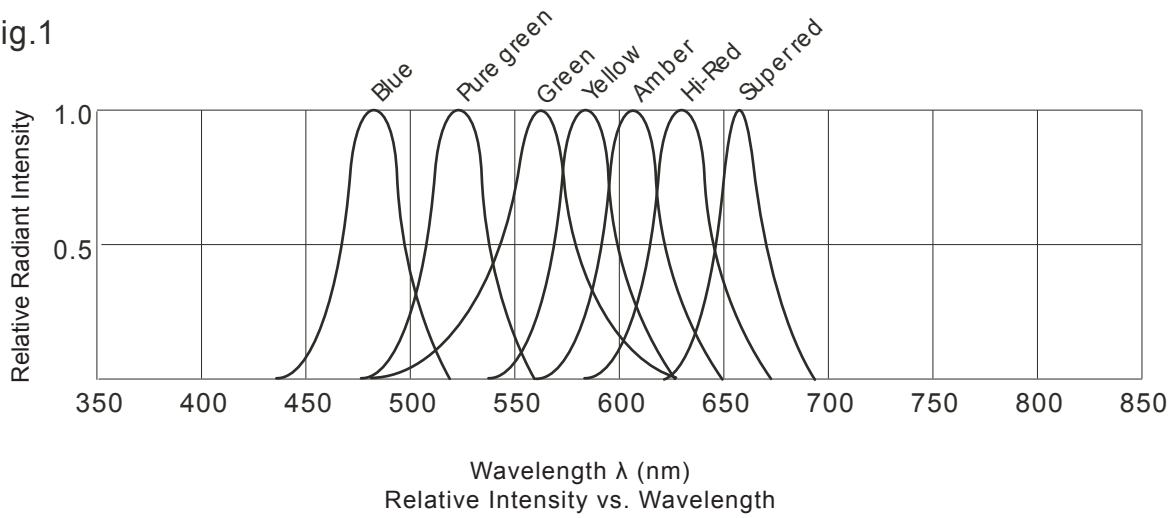


Fig.2

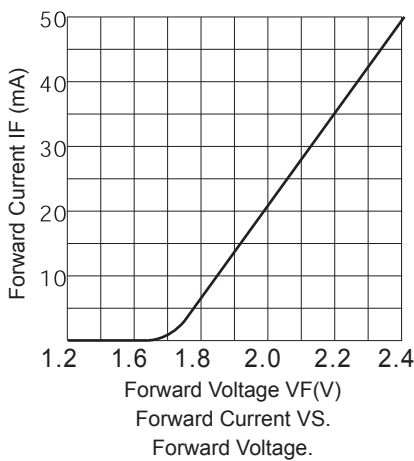


Fig.3

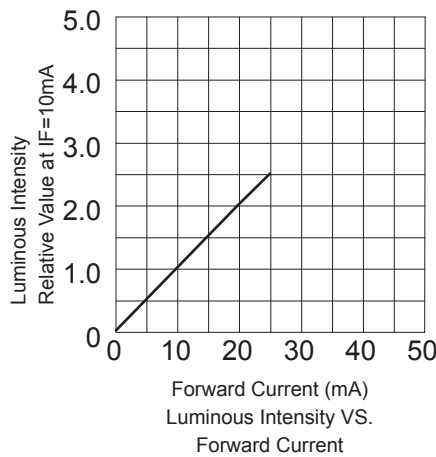
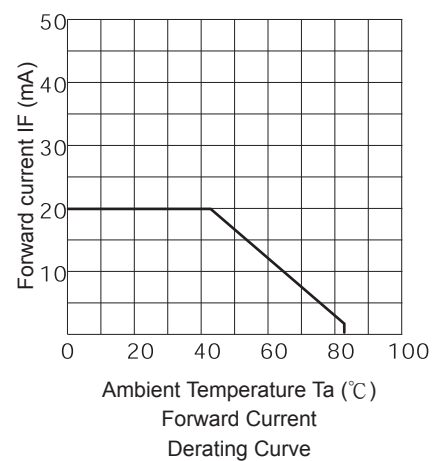


Fig.4



**Code:HG**

Parameter	Symbol	Condition	Min	Typ	Max	Unit
Forward Voltage	Vf	If=20mA	1.6	-	-	V
Reverse Voltage	Vr	If=10mA	5	-	-	V
Luminous Intensity	Iv	If=20mA	-	13	-	mcd
Spectrum With of Half Value	$\Delta\lambda$	If=20mA		30		nm
Wavelength	D $\lambda$	If=20mA		571		

Absolute Maximum Rating at Ta=25°C

Notes: 1. All dimensions are in millimeter (inches), tolerance is 0.25 unless otherwise noted.  
2. Specifications are subject to change without notice.

Fig.1

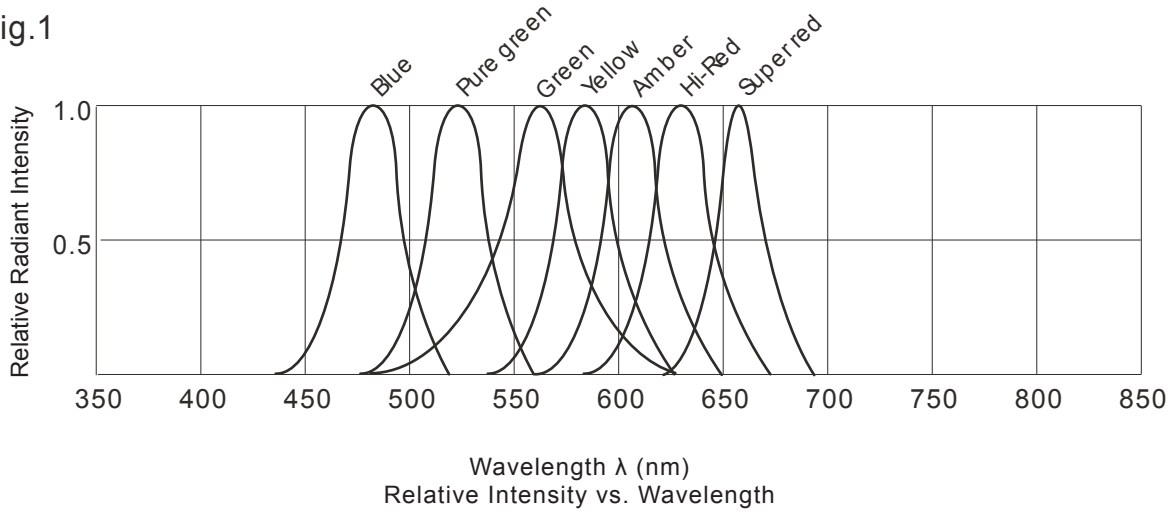


Fig.2

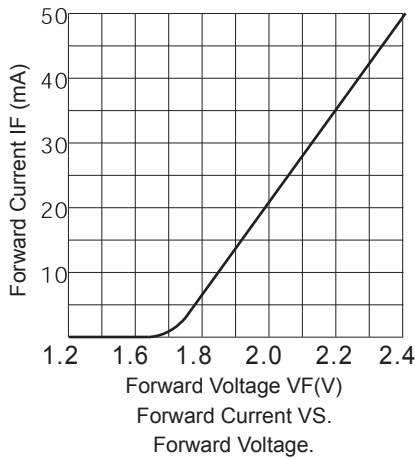


Fig.3

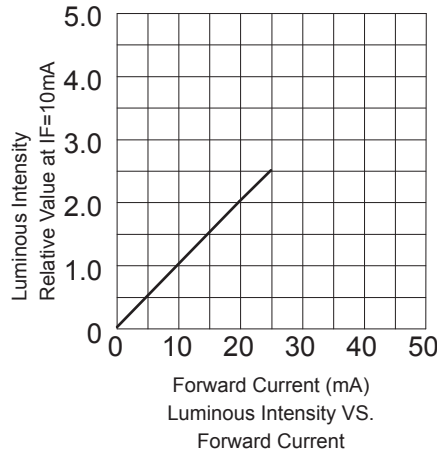
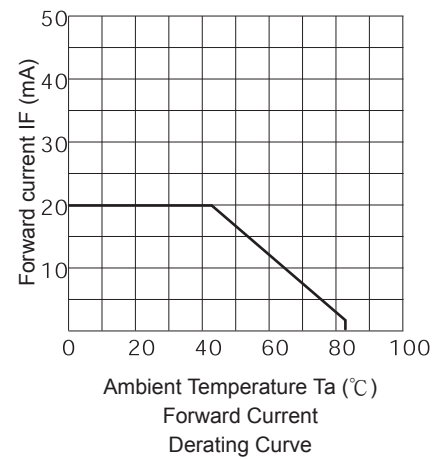


Fig.4



**Code:G**

Parameter	Symbol	Condition	Min	Typ	Max	Unit
Forward Voltage	$V_f$	$I_f=20\text{mA}$	1.6	-	-	V
Reverse Voltage	$V_r$	$I_f=10\text{mA}$	5	-	-	V
Luminous Intensity	$I_v$	$I_f=20\text{mA}$	-	0.5	-	mcd
Spectrum With of Half Value	$\Delta\lambda$	$I_f=20\text{mA}$		30		nm
Wavelength	$D\lambda$	$I_f=20\text{mA}$		571		

Absolute Maximum Rating at  $T_a=25^\circ\text{C}$

Fig.1

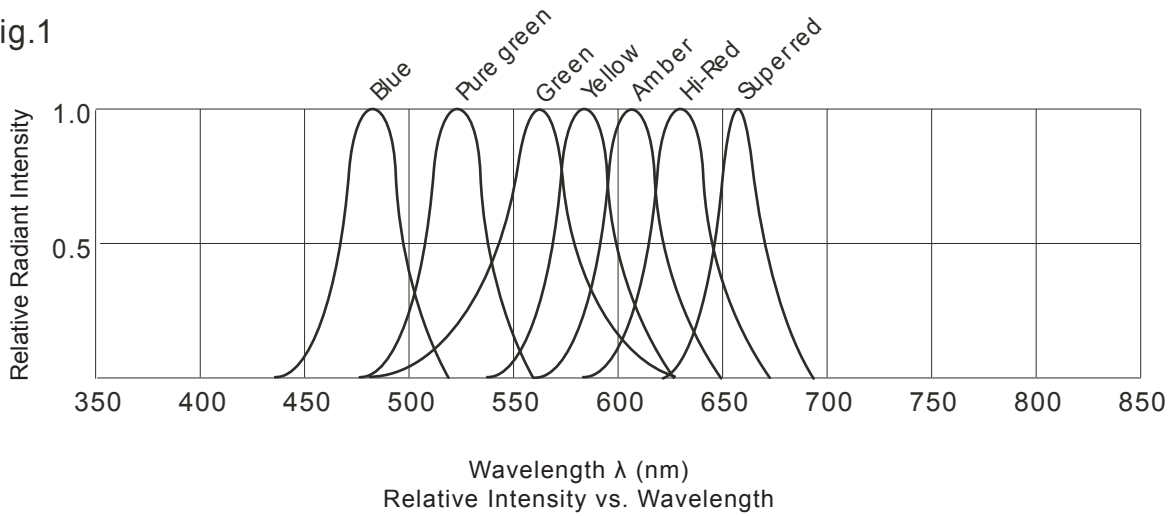


Fig.2

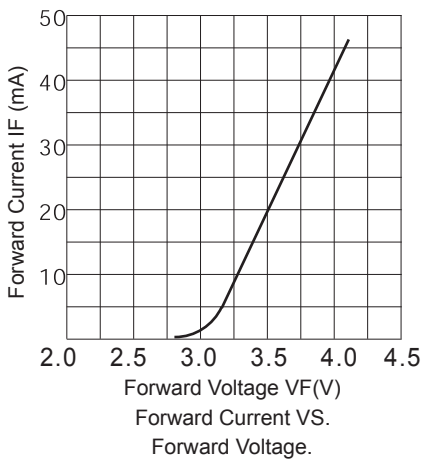


Fig.3

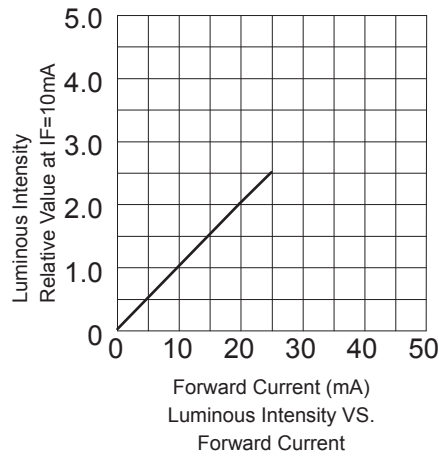
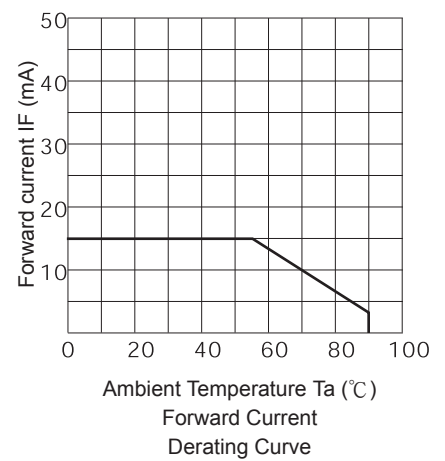


Fig.4



**Code:UB**

Parameter	Symbol	Condition	Min	Typ	Max	Unit
Forward Voltage	$V_f$ BH	$I_f=20\text{mA}$	-	3.5	-	V
	$V_f$ BU	$I_f=20\text{mA}$	-	3.5	-	
Reverse Voltage	$V_r$	$I_f=2\text{mA}$	30	-	-	V
Luminous Intensity	$I_v$	$I_f=20\text{mA}$		35		mcd
Spectrum Width of Half Value	$\Delta\lambda$	$I_f=20\text{mA}$		30		nm
Wavelength	$D\lambda$	$I_f=20\text{mA}$		473		

Absolute Maximum Rating at  $T_a=25^\circ\text{C}$

Notes: 1. All dimensions are in millimeter (inches), tolerance is 0.25 unless otherwise noted.  
2. Specifications are subject to change without notice.

Fig.1

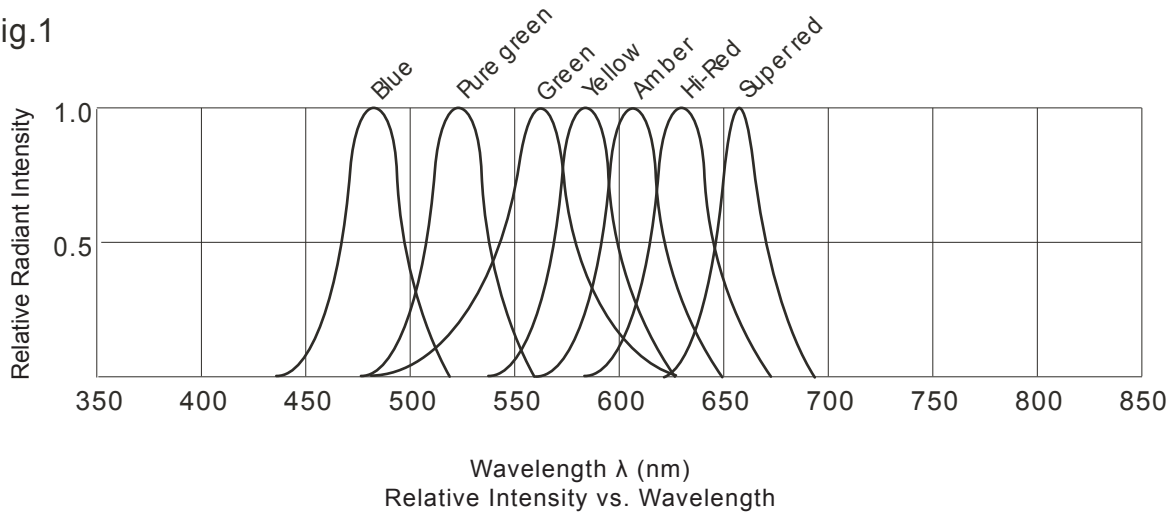


Fig.2

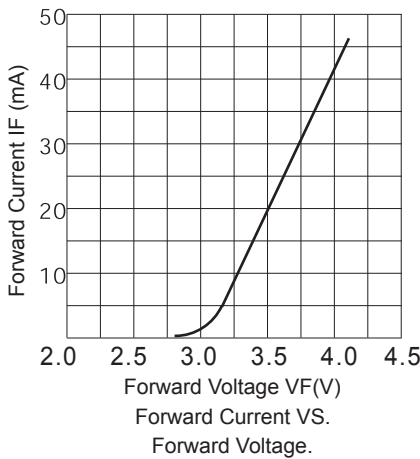


Fig.3

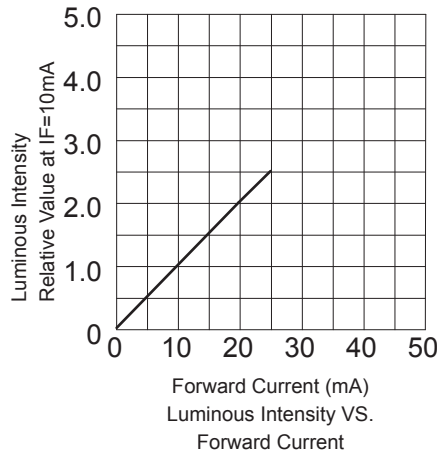
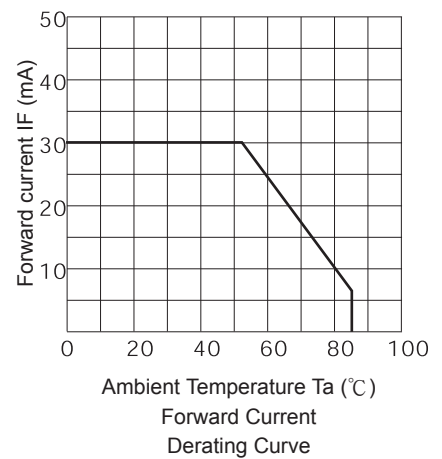


Fig.4



**Code:SB**

Parameter	Symbol	Condition	Min	Typ	Max	Unit
Forward Voltage	Vf BH	If=20mA	-	3.5	-	V
	Vf BU	If=20mA	-	3.5	-	
Reverse Voltage	Vr	If=2mA	5.0	-	-	V
Luminous Intensity	Iv	If=20mA		10		mcd
Spectrum Width of Half Value	$\Delta\lambda$	If=20mA		30		nm
Wavelength	D $\lambda$	If=20mA		430		

Absolute Maximum Rating at Ta=25°C

Fig.1

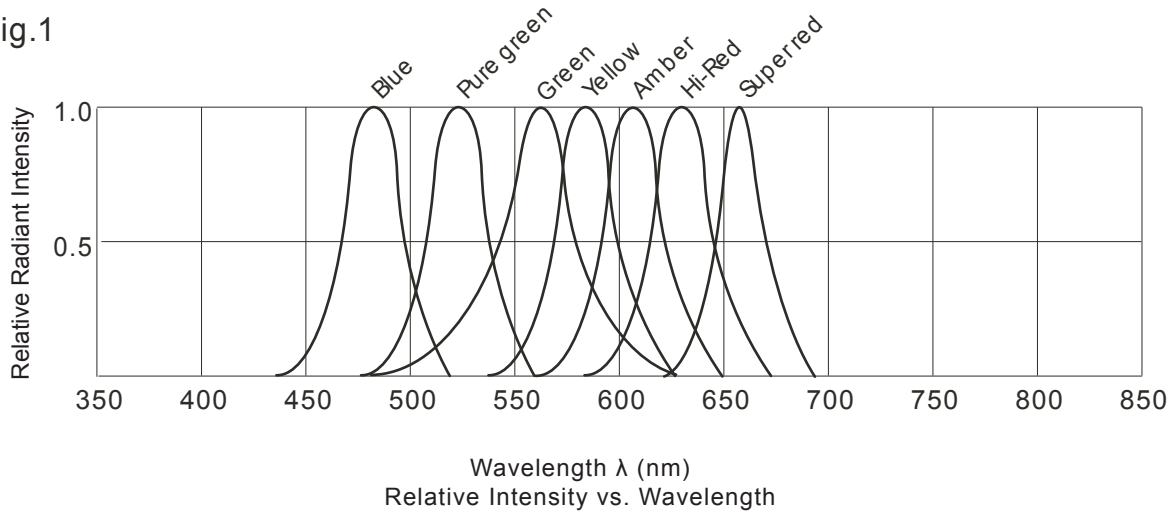


Fig.2

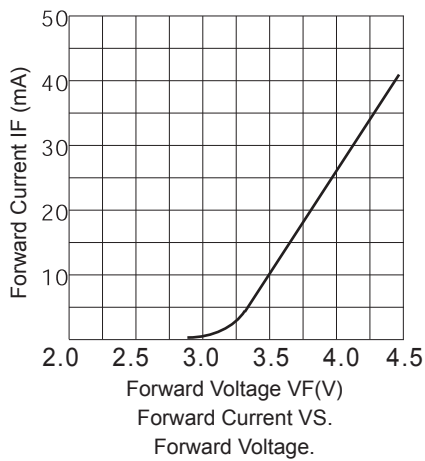


Fig.3

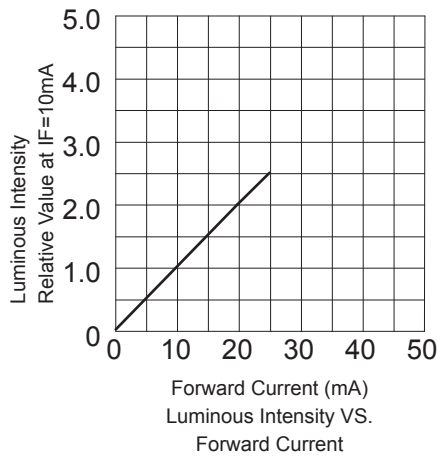
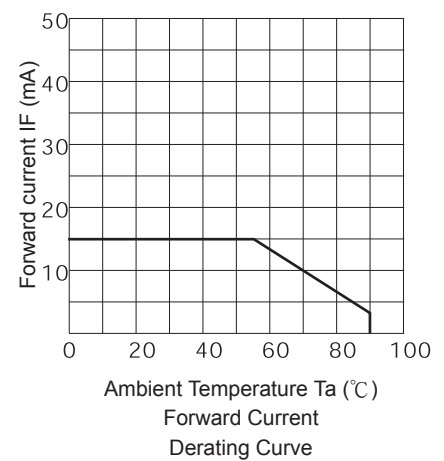


Fig.4



**Code:SW**

Parameter	Symbol	Condition	Min	Typ	Max	Unit
Forward Voltage	Vf	If=20mA	-	3.5	-	V
Reverse Voltage	Vr	If=10mA	-	30	-	V
Luminous Intensity	Iv	If=20mA	1000		1500	mcd
Spectrum With of Half Value	$\Delta\lambda$	If=20mA		30		nm
Power Dissipation		If=20mA		120		mW

Absolute Maximum Rating at Ta=25°C

Notes: 1. All dimensions are in millimeter (inches), tolerance is 0.25 unless otherwise noted.  
2. Specifications are subject to change without notice.

Fig.1

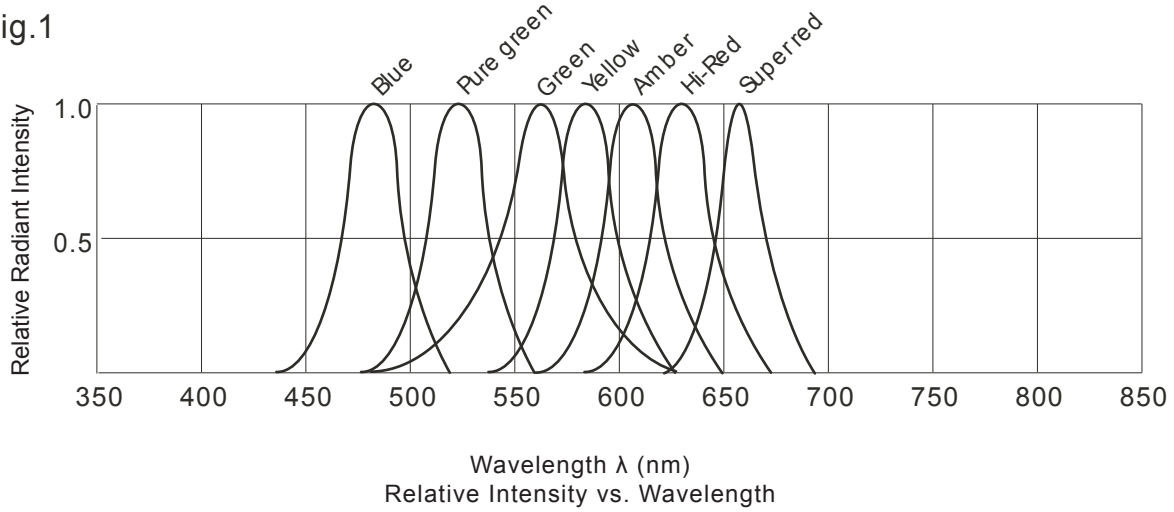


Fig.2

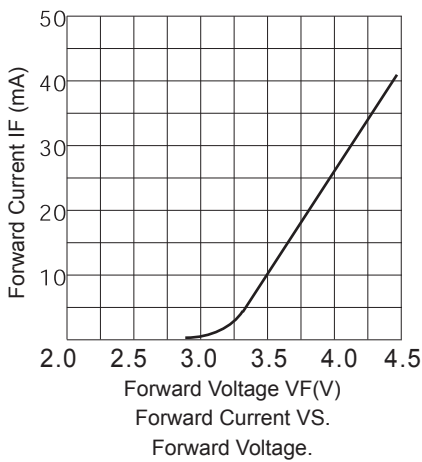


Fig.3

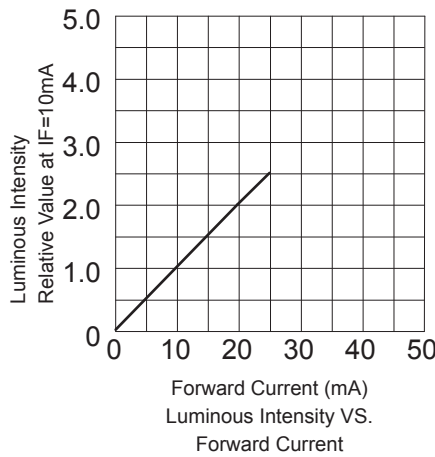
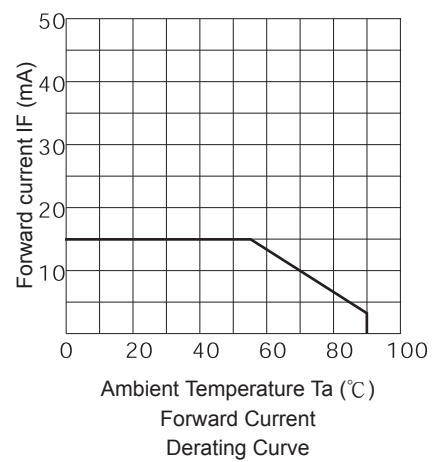


Fig.4



**Code:UW**

Parameter	Symbol	Condition	Min	Typ	Max	Unit
Forward Voltage	Vf	If=20mA	-	3.5	-	V
Reverse Voltage	Vr	If=10mA	-	30	-	V
Luminous Intensity	Iv	If=20mA		3500	-	mcd
Spectrum With of Half Value	$\Delta\lambda$	If=20mA		30		nm
Power Dissipation		If=20mA		120		mW

Absolute Maximum Rating at Ta=25°C

Fig.1

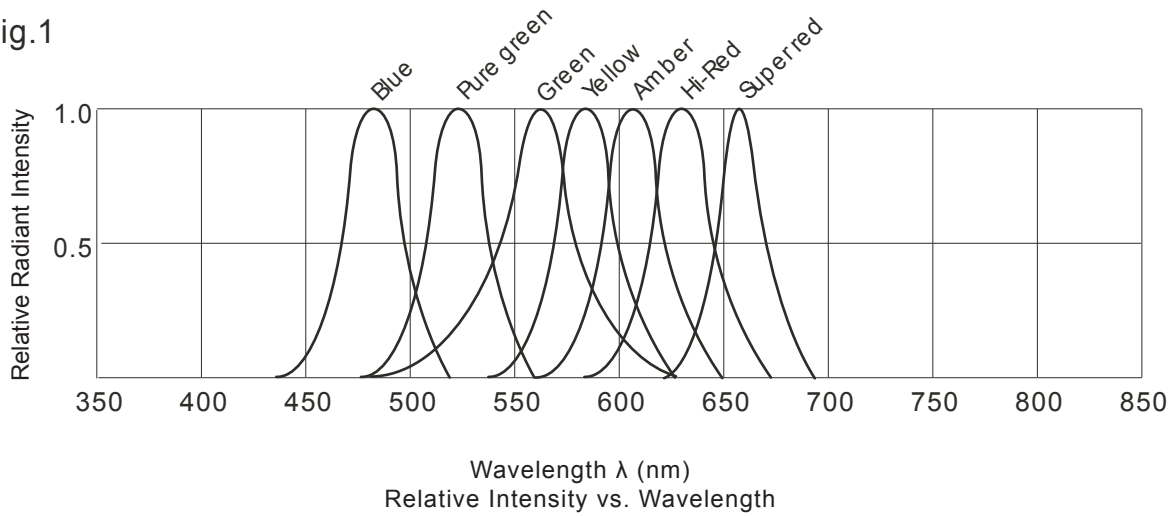


Fig.2

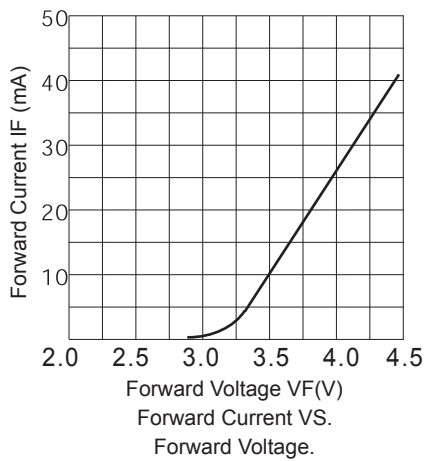


Fig.3

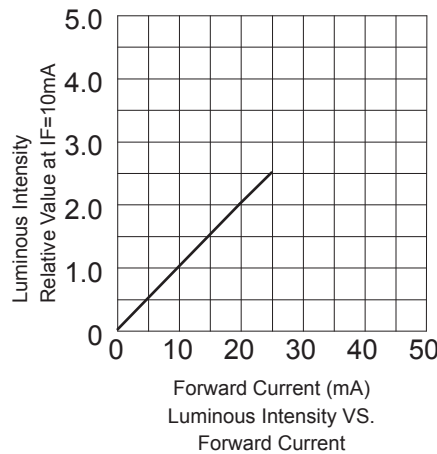
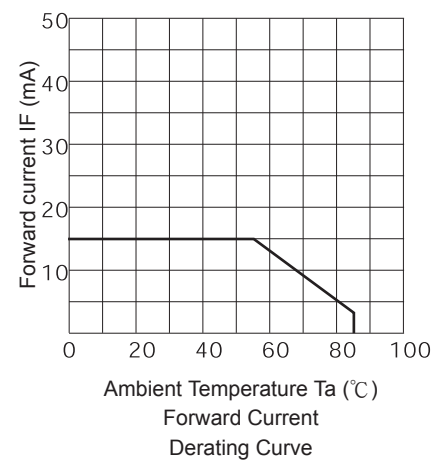


Fig.4

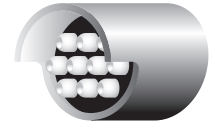
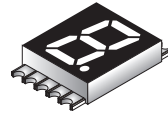
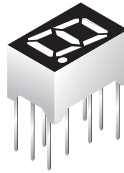
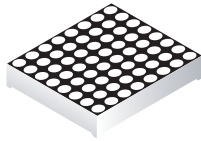
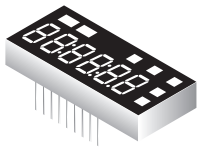


**Code:XW**

Parameter	Symbol	Condition	Min	Typ	Max	Unit
Forward Voltage	$V_f$	$I_f=20\text{mA}$	-	3.5	-	V
Reverse Voltage	$V_r$	$I_f=10\text{mA}$	-	30	-	V
Luminous Intensity	$I_v$	$I_f=20\text{mA}$		8000	-	mcd
Spectrum Width of Half Value	$\Delta\lambda$	$I_f=20\text{mA}$		30		nm
Power Dissipation		$I_f=20\text{mA}$		120		mW

Absolute Maximum Rating at  $T_a=25^\circ\text{C}$

Notes: 1. All dimensions are in millimeter (inches), tolerance is 0.25 unless otherwise noted.  
2. Specifications are subject to change without notice.



**Digital Display**

C S 028 1 R B

**1**  
Digit Height:  
028 = 0.28"  
030 = 0.30"  
032 = 0.32"  
036 = 0.36"  
039 = 0.39"  
040 = 0.40"  
050 = 0.50"  
056 = 0.56"  
100 = 1.00"  
120 = 1.20"  
180 = 1.80"  
500 = 5.00"  
700 = 7.00"

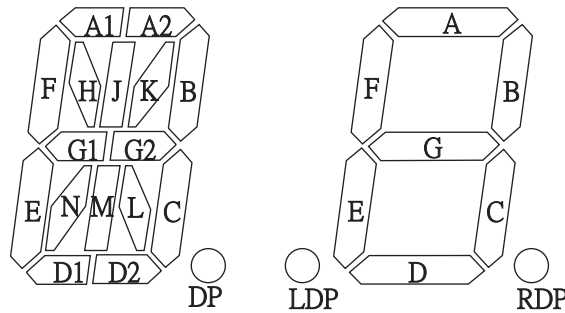
**2**  
PCB Circuit:  
C - Common Cathode  
A - Common Anode

**3**  
Digit Number:  
S - Single Digit Type  
D - Dual Digit Type  
T - Three Digit Type  
F - Four Digit Type  
X - Five Digit Type or More

**4** Reflector Number:

**5**  
Reflector Face Color & segment Epoxy Color:  
G - Gray / White  
B - Black / White

**6**  
Color Code:  
UR - Ultra Bright Red      HG - High Green  
SR - Super Bright Red      G - Green  
HR - High Red              B - Blue  
R - Red                      SB - Super Bright Blue  
E - Orange (Reddish)      UB - Ultra Bright Blue  
SE - Super Orange        W - White  
Y - Yellow (Lemon)        SW - Super Bright White  
SG - Super Bright Green    UW - Ultra Bright White  
PG - Pure Green            RGB - Full Color



**Dot Matrix Display**

A 02 88 1 B G

**7**  
Dot Size:  
02 = Φ1.9mm  
03 = Φ3.0mm  
04 = Φ4.8mm  
05 = Φ5.0mm  
07 = Φ7.6mm  
10 = Φ10mm  
20 = Φ20mm

**2** PCB Circuit

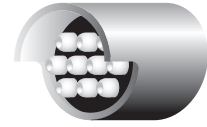
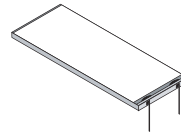
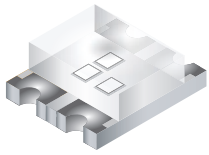
**8**  
Column x Row No:  
44 - 4 x 4  
57 - 5 x 7  
58 - 5 x 8  
88 - 8 x 8  
1616 - 16 x 16

**5**  
Reflector Face Color & Segment Epoxy Color:

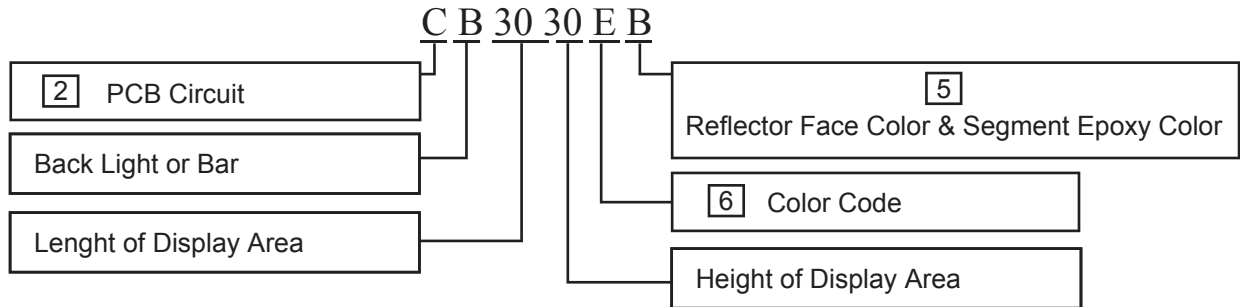
**6** Color Code

**4** Reflector Number:

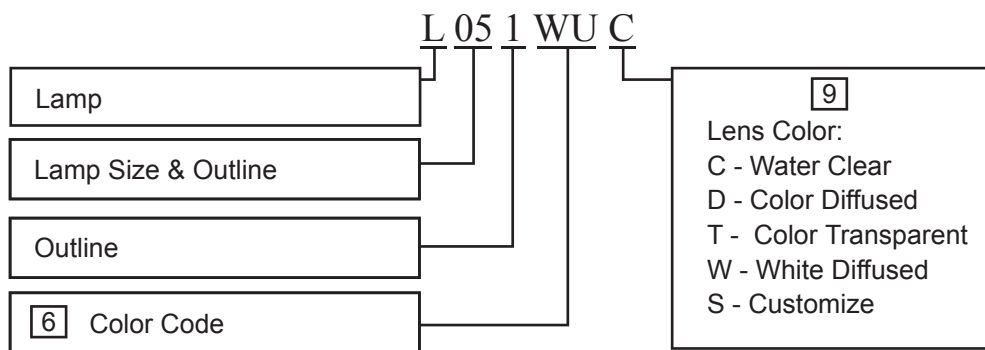
Notes: 1. All dimensions are in millimeter (inches), tolerance is 0.25 unless otherwise noted.  
2. Specifications are subject to change without notice.



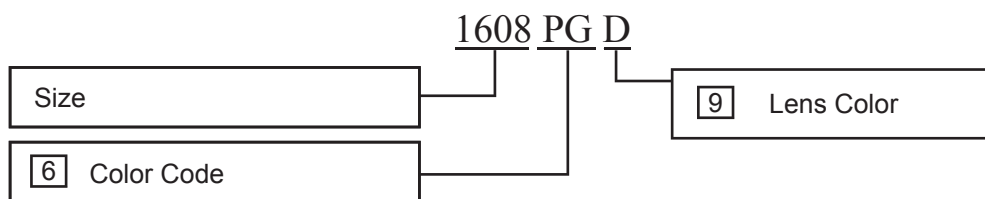
### Back Light & Bar Display



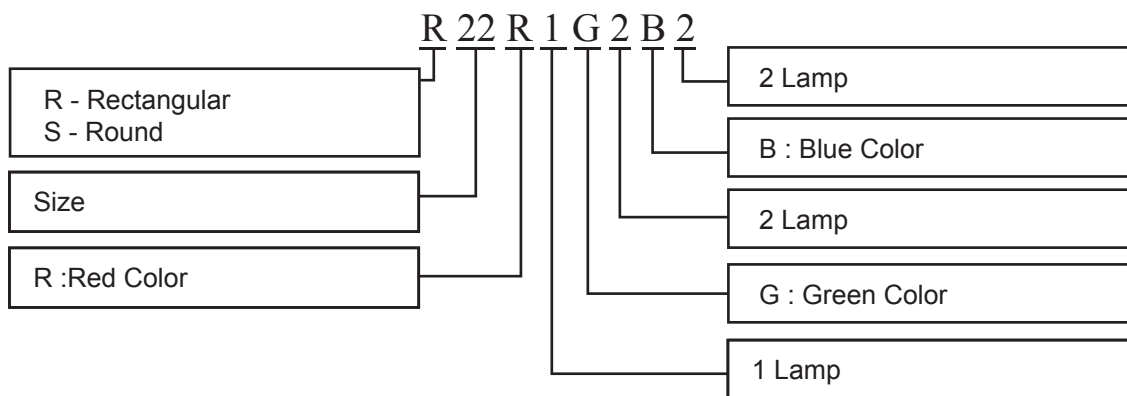
### LED Lamp



### SMD Lamp



### Cluster



Notes: 1. All dimensions are in millimeter (inches) , tolerance is 0.25 unless otherwise noted.  
2. Specifications are subject to change without notice.