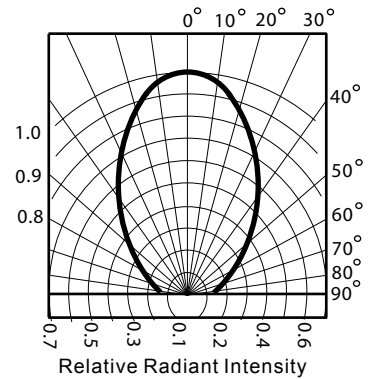
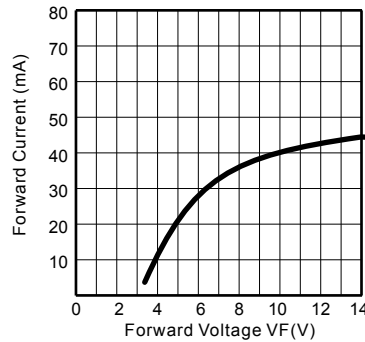
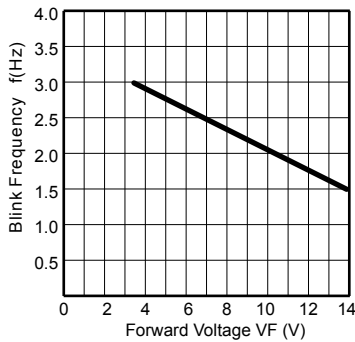
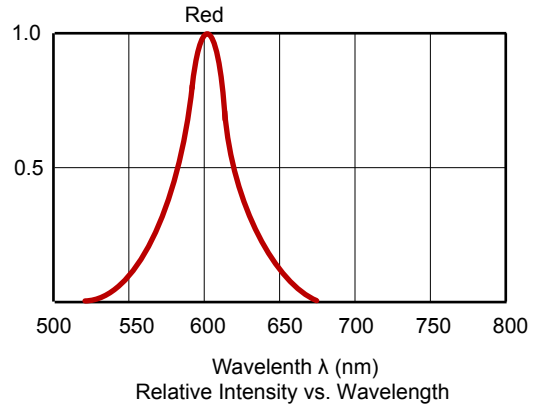
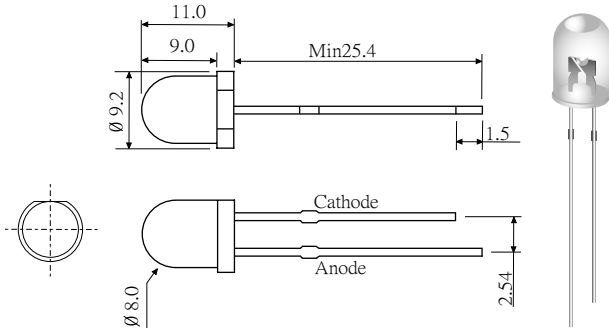


B08HRC



- * 8mm with Red Dice with built in blinkong I.C.
- * Encapsulated with Water Clear package.
- * long leads.
- * Blinking time 1/2 Seconds.

Absolute Maximum Ratings:

Parameter	Maximum Rating	Unit
Peak Forward Current	120	mA
Continuous Forward Current	30	mA
Operating temperature Range	-20°C + 75°C	
Storage Temperature Range	-40°C + 100°C	
Lead Soldering Temperature	260°C for 5 seconds	

Electre-Optical Characterature (Ta=25°C)

Parameter Radiant	Test Condition	Symbol	Min.	Typ.	Max.	Unit
Forward Voltage	If=10mA	Vf	2.0	2.2	2.6	V
Reverse Current	Vr=5V	Ir			10	uA
Luminous Intensity	If=10mA	Iv	1500	2000	2500	mcd
Spectral Bandwidth	If=10mA	$\Delta\lambda$				nm
Wavelength	If=10mA	λ_p		625	635	nm
		λ_d				nm
Half View Angle	If=10mA	2 θ 1/2		35		deg