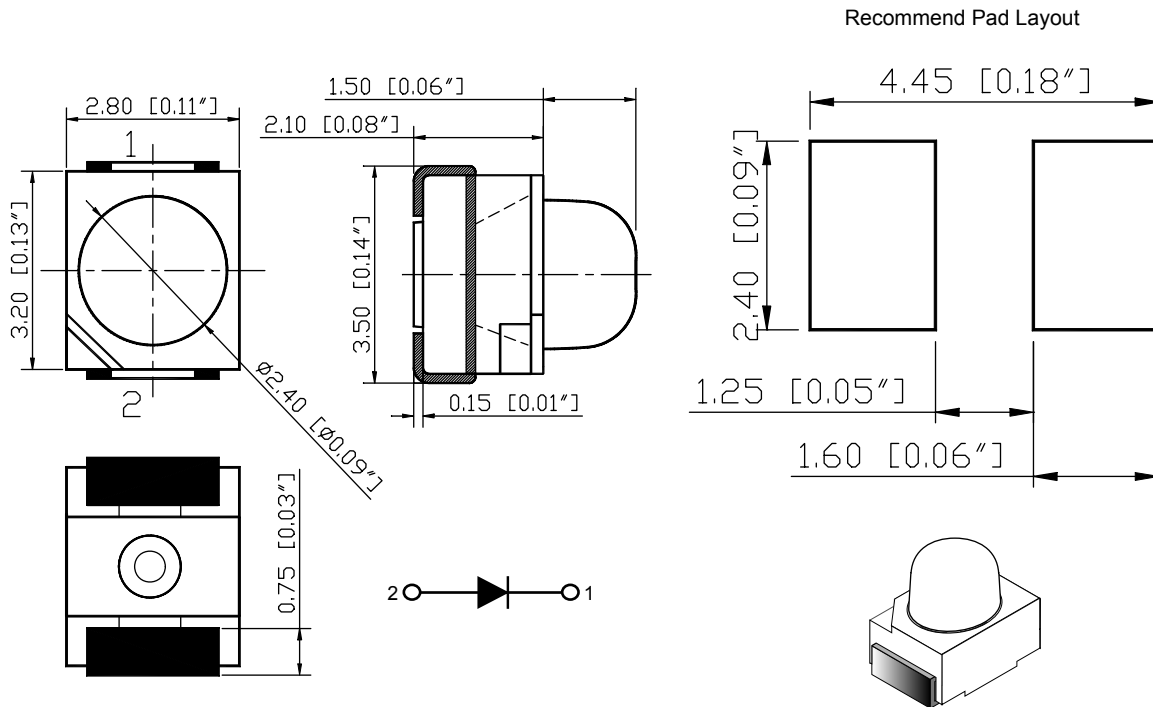


ST-315SYC



Dice	Yellow( AlGaInp )	Lens Type	Water transparent
------	-------------------	-----------	-------------------

Absolute Maximum Rating at (Ta=25°C)

Parameter	Symbol	Maximum Rating	Unit
Power Dissipation	Pd	81	mW
Forward Current	If	30	mA
Peak Forward Current Per chip *	Ifp	125	mA
Operating Temperature Range	Topr	- 40 °C to + 85 °C	
Storage Temperature Range	Tstg	- 40 °C to + 85 °C	
Solder Temperature 1/16 Inch Below Seating Plane for 3 seconds at 260°C			

\* Condition for Ifp is pulse of 1/10 Duty Cycle, 0.1ms Pulse Width

Electrical/Optical Characteristics at Ta=25°C

Parameter	Symbol	Condition	Min	Typ	Max	Unit
Forward Voltage	Vf	If=20mA	2.2		2.7	V
Reverse Current	Ir	Vr=5V			10	uA
Luminous Intensity	Iv	If=20mA	4000			mcd
Spectrum Width of Half Value	$\Delta\lambda$	If=20mA		20		nm
Wavelength	$\lambda_p$	If=20mA		595		nm
	$\lambda_d$	If=20mA	583	590	595	nm
Viewing Angle	2 $\theta$ 1/2			30		0°

NOTES: 1. All dimensions are in millimeter (inches), tolerance is 0.25 unless otherwise noted.  
2. Specifications are subject to change without notice.