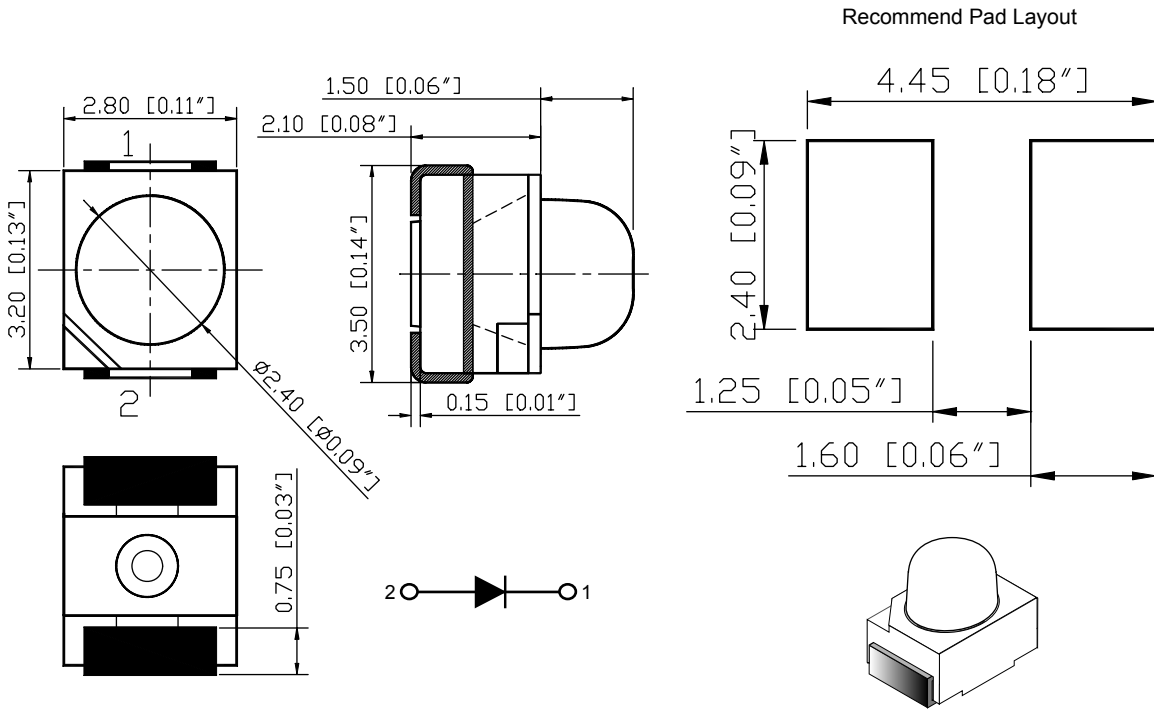


# ST-315SWC



Dice	White ( GaInN )	Lens Type	Water transparent
------	-----------------	-----------	-------------------

Absolute Maximum Rating at (Ta=25°C)

Parameter	Symbol	Maximum Rating	Unit
Power Dissipation	Pd	108	mW
Forward Current	If	30	mA
Peak Forward Current Per chip *	I <sub>fp</sub>	125	mA
Operating Temperature Range	T <sub>opr</sub>	- 40 °C to + 85 °C	
Storage Temperature Range	T <sub>stg</sub>	- 40 °C to + 85 °C	
Solder Temperature 1/16 Inch Below Seating Plane for 3 seconds at 260°C			

\* Condition for I<sub>fp</sub> is pulse of 1/10 Duty Cycle, 0.1ms Pulse Width

Electrical/Optical Characteristics at Ta=25°C

Parameter	Symbol	Condition	Min	Typ	Max	Unit
Forward Voltage	V <sub>f</sub>	I <sub>f</sub> =20mA		3.1	3.6	V
Reverse Current	I <sub>r</sub>	V <sub>r</sub> =5V			10	uA
Luminous Intensity	I <sub>v</sub>	I <sub>f</sub> =20mA	2500	3000		mcd
Spectrum Width of Half Value	Δλ	I <sub>f</sub> =20mA				nm
Wavelength	X	I <sub>f</sub> =20mA	0.22	0.28	0.36	nm
	Y	I <sub>f</sub> =20mA	0.22	0.31	0.36	nm
Viewing Angle	2Θ <sub>1/2</sub>			60		0°

NOTES: 1. All dimensions are in millimeter (inches), tolerance is 0.25 unless otherwise noted.  
2. Specifications are subject to change without notice.