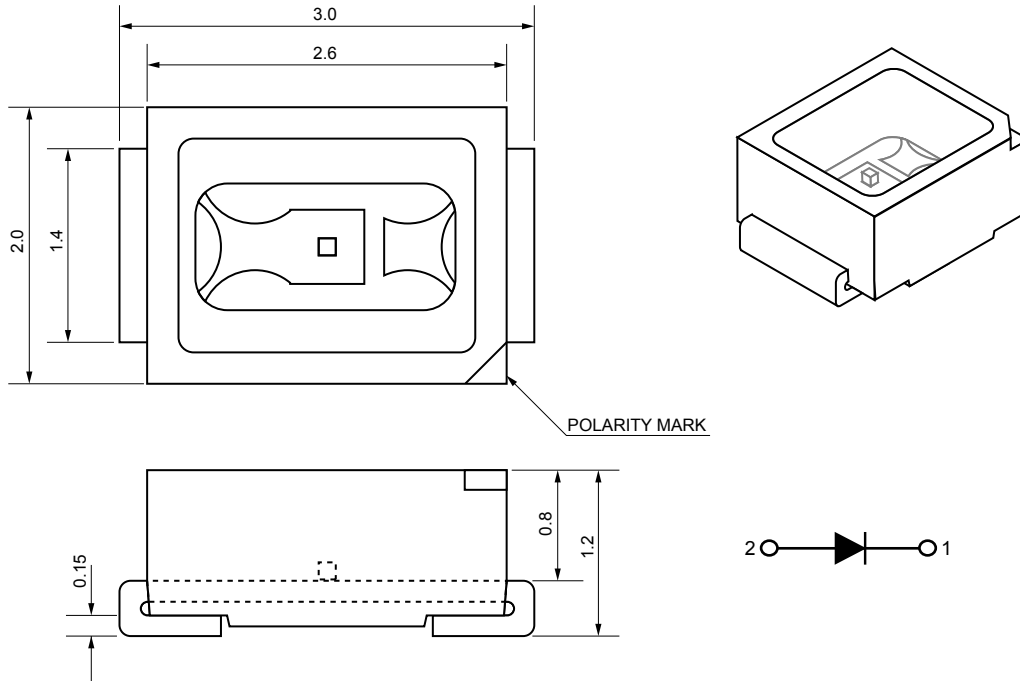


ST-313HBC

Package Dimensions



| | | | |
|------|------------|-----------|-------------|
| Dice | Blue (GaN) | Lens Type | Water Clear |
|------|------------|-----------|-------------|

Absolute Maximum Rating at (Ta=25°C)

| Parameter | Symbol | Maximum Rating | Unit |
|--|--------|--------------------|------|
| Power Dissipation | Pd | 110 | mW |
| Forward Current | If | 30 | mA |
| Peak Forward Current Per chip * | Ifp | 160 | mA |
| Operating Temperature Range | Topr | - 40 °C to + 85 °C | |
| Storage Temperature Range | Tstg | - 40 °C to + 85 °C | |
| Solder Temperature 1/16 Inch Below Seating Plane for 3 seconds at 260 °C | | | |

* Condition for Ifp is pulse of 1/10 Duty Cycle, 0.1ms Pulse Width

Electrical/Optical Characteristics at Ta=25°C

| Parameter | Symbol | Condition | Min | Typ | Max | Unit |
|------------------------------|--------|-----------|-----|-----|-----|------|
| Forward Voltage | Vf | If=20mA | 3.0 | 3.2 | | V |
| Reverse Current | Ir | Vr=5V | | | 5 | uA |
| Luminous Intensity | Iv | If=20mA | 36 | 90 | | mcd |
| Spectrum Width of Half Value | Δλ | If=20mA | | | | nm |
| Wavelength | λd | If=20mA | | 465 | | nm |
| Viewing Angle | 2Θ1/2 | | | 120 | | 0° |

NOTES: 1. All dimensions are in millimeter (inches), tolerance is 0.25 unless otherwise noted.
2. Specifications are subject to change without notice.