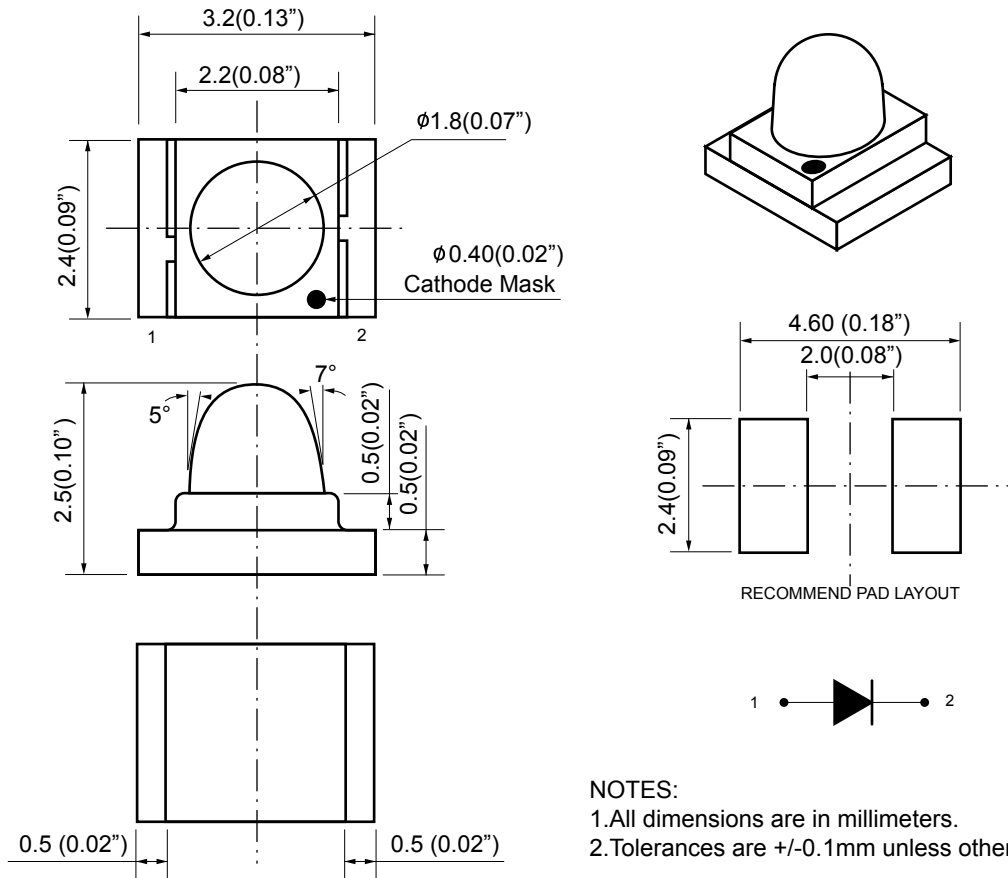


ST-113YC



- NOTES:
 1. All dimensions are in millimeters.
 2. Tolerances are +/-0.1mm unless otherwise noted.

Absolute maximum ratings(Ta=25°C):

| Parameter | Symbol | Value | Unit | Item | Materials |
|--|--------|------------|------|-----------------------|-------------------|
| Forward current | If | 30 | mA | Resin(mold) | Epoxy |
| Reverse voltage | Vr | 5 | V | Bonding Wire | Φ25 μm Au |
| Power dissipation | Pd | 75 | mW | Lens color | water transparent |
| Operating temperature range | Top | -.20 ~ +80 | °C | Printed circuit board | BT (white) |
| Storage temperature range | Tstg | -.20 ~ +80 | °C | Dice | AllnGap |
| Peak pulsing current (1/8 duty f=1kHz) | Ifg | 125 | mA | Emitted color | Yellow |

Electro - optecal characteristics(Ta=25°C)

| Parameter | Test Condition | Symbol | Value | | | Unit |
|-----------------------------|----------------|--------|-------|------|-----|------|
| | | | Min | Typ | Max | |
| Wavelength at peak emission | If=20mA | λpeak | 590 | 595 | 600 | nm |
| Spectral half bandwidth | If=20mA | Δλ | | 20 | | nm |
| Dominant wavelength | If=20mA | λdom | | 590 | | nm |
| Forward voltage | If=20mA | Vf | | 2.0 | 2.5 | V |
| Luminous intensity * | If=20mA | Iv | | 1600 | | mcd |
| Viewing angle at 50% Iv | If=10mA | 2Θ1/2 | | 15 | | Deg |
| Reverse current | Vr=5V | Ir | | | 10 | uA |

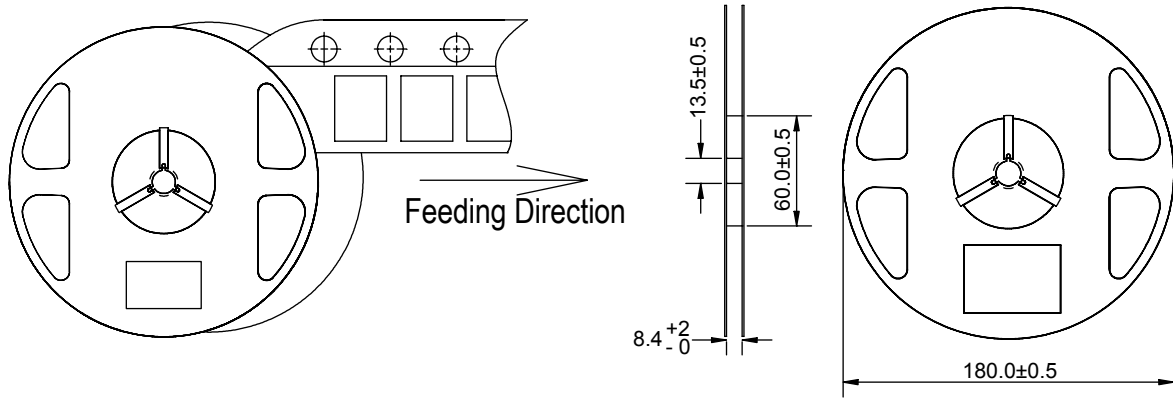
*Note:Luminous intensity tolerance is +/- 10%.

- NOTES: 1. All dimensions are in millimeter(inches), tolerance is 0.25 unless otherwise noted.
 2. Specifications are subject to change without notice.

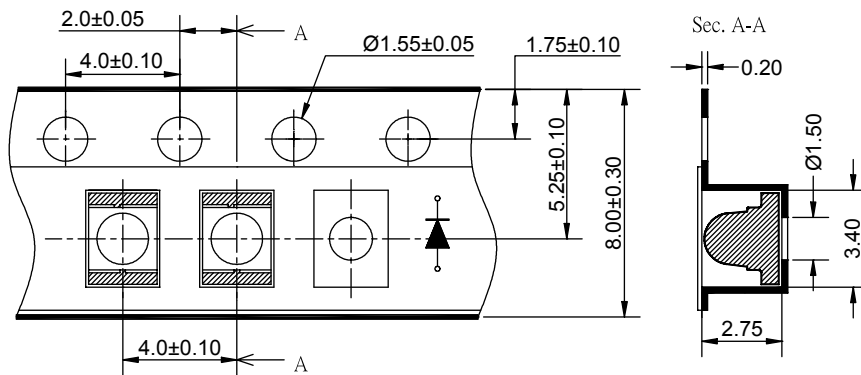
ST-113 Series SMD Chip LED Lamps Packaging Specifications

Feeding Direction

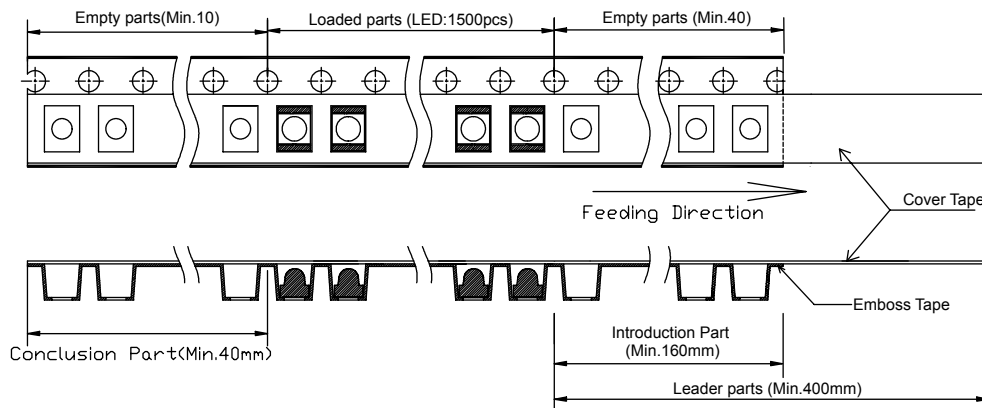
Dimensions of Reel (Unit: mm)



Dimensions of Tape (Unit: mm)



Arrangement of Tape



NOTES

1. Empty component pockets are sealed with top cover tape;
2. The maximum number of missing lamps is two;
3. The cathode is oriented towards the tape sprocket hole in accordance with ANSI/EIA RS-481 specifications.
4. 1,500 pcs/Reel