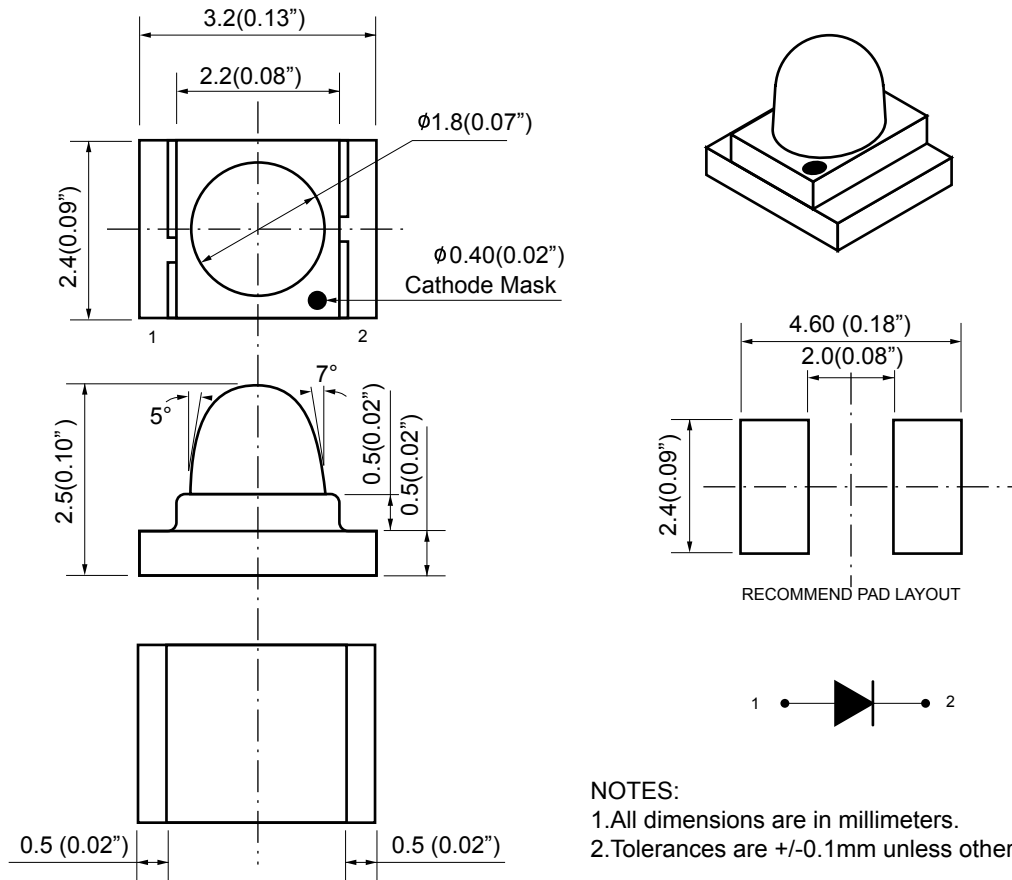


# ST-113HYC



- NOTES:  
 1. All dimensions are in millimeters.  
 2. Tolerances are +/-0.1mm unless otherwise noted.

Absolute maximum ratings(Ta=25°C):

Parameter	Symbol	Value	Unit	Item	Materials
Forward current	I <sub>f</sub>	30	mA	Resin(mold)	Epoxy
Reverse voltage	V <sub>r</sub>	5	V	Bonding Wire	Φ25 um Au
Power dissipation	P <sub>d</sub>	75	mW	Lens color	water transparent
Operating temperature range	T <sub>op</sub>	-.20 ~ +80	°C	Printed circuit board	BT (white)
Storage temperature range	T <sub>stg</sub>	-.20 ~ +80	°C	Dice	AllnGap
Peak pulsing current (1/8 duty f=1kHz)	I <sub>fg</sub>	125	mA	Emitted color	Yellow

Electro - optical characteristics(Ta=25°C)

Parameter	Test Condition	Symbol	Value			Unit
			Min	Typ	Max	
Wavelength at peak emission	I <sub>f</sub> =20mA	λ <sub>peak</sub>		595		nm
Spectral half bandwidth	I <sub>f</sub> =20mA	Δλ		20		nm
Dominant wavelength	I <sub>f</sub> =20mA	λ <sub>dom</sub>		590		nm
Forward voltage	I <sub>f</sub> =20mA	V <sub>f</sub>		2.0	2.5	V
Luminous intensity *	I <sub>f</sub> =20mA	I <sub>v</sub>		2400		mcd
Viewing angle at 50% I <sub>v</sub>	I <sub>f</sub> =10mA	2Θ <sub>1/2</sub>		20		Deg
Reverse current	V <sub>r</sub> =5V	I <sub>r</sub>			10	uA

\*Note:Luminous intensity tolerance is +/- 10%.

- NOTES: 1. All dimensions are in millimeter (inches), tolerance is 0.25 unless otherwise noted.  
 2. Specifications are subject to change without notice.

