

## R99W (0.5)

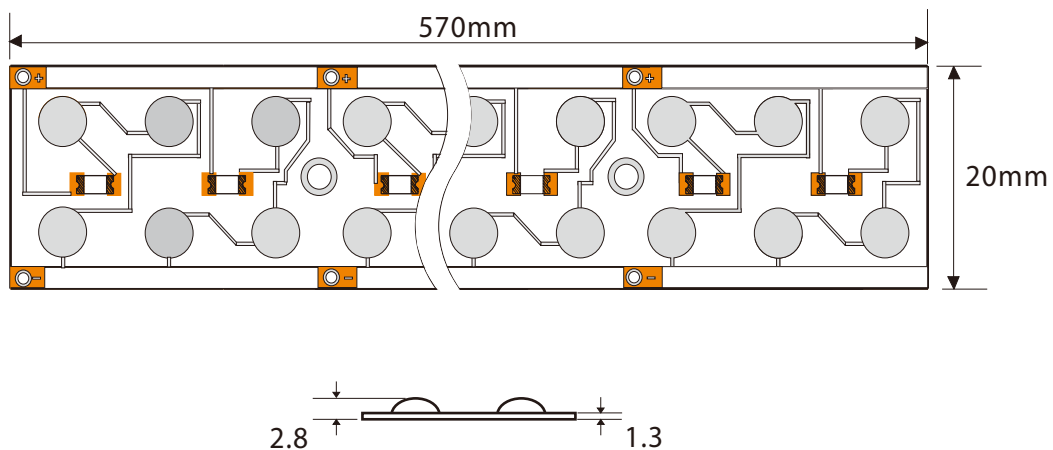
| Part No.   | Emitted Color | Lens        |
|------------|---------------|-------------|
| R99W (0.5) | White         | Water Clear |

### Features and benefits

- \* Advanced design for a safe and easy experience
- \* Easy installation and replacement
- \* Energy saving
- \* Long life time 45,000hours
- \* Length may upon request of customers  
- Min.6cm, Max. 300cm
- \* No UV or IR damage light sensitive items
- \* Powerful light output
- \* Special Aluminium extrusions ensure good dispersion of heat
- \* Wide operation range (220-240V)

### Specification

- \* Light source 25W LED
- \* DC 12V
- \* Aluminium heat sink
- \* CE Certificated
- \* RoHs Certificated



Absolute Maximum Rating at (Ta=25°C)

| Parameter                   | Symbol | Maximum Rating     | Unit |
|-----------------------------|--------|--------------------|------|
| Power Dissipation           | Pd     | 25                 | W    |
| Forward Current             | If     | 2.0                | A    |
| Forward Voltage             | Vr     | 12                 | V    |
| Operating Temperature Range | Topr   | - 40 °C to + 85 °C |      |
| Storage Temperature Range   | Tstg   | - 40 °C to + 85 °C |      |
| Viewing Angle               | 2θ 1/2 | 120                | dfg  |

NOTES: 1. All dimensions are in millimeter (inches), tolerance is 0.25 unless otherwise noted.  
2. Specifications are subject to change without notice.