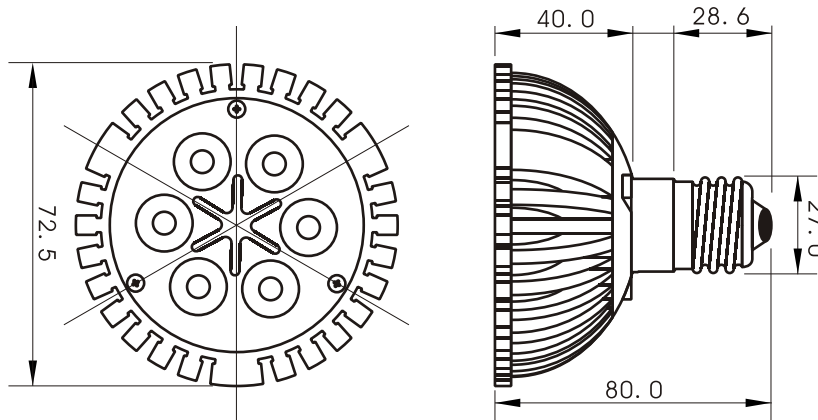


PAR30-6EBE6W

Features

- * Aluminum housing
- * CE approved
- * Eco-product
- * Extended longer life
- * High luminance
- * Low power consumption
- * RoHS compliant
- * Well heat sink
- * Wide viewing angle



Specifications

| | |
|-----------------------|--------------------|
| Base type | PAR30 |
| Forward Current | 300mA |
| Input voltage | AC 85-220V,50/60Hz |
| Light source | 6x1W power LED |
| Color | Blue |
| Luminous Intensity | 60-75 Lm |
| Operating temperature | -40-+70deg |
| Size | 80x72.5mm |
| Viewing angle | 60deg |
| Weight | 185g |

Important:

- * Bulb electricity is compatible with the light socket voltage.
- * The power is off while plug the light bulb into the socket.
- * Suitable for dimmer switches or remote controls.
- * Specified performance measured in 85-220V range.
- * Do not look permanently to the light sources.



NOTES: 1. All dimensions are in millimeter (inches), tolerance is 0.25 unless otherwise noted.
2. Specifications are subject to change without notice.