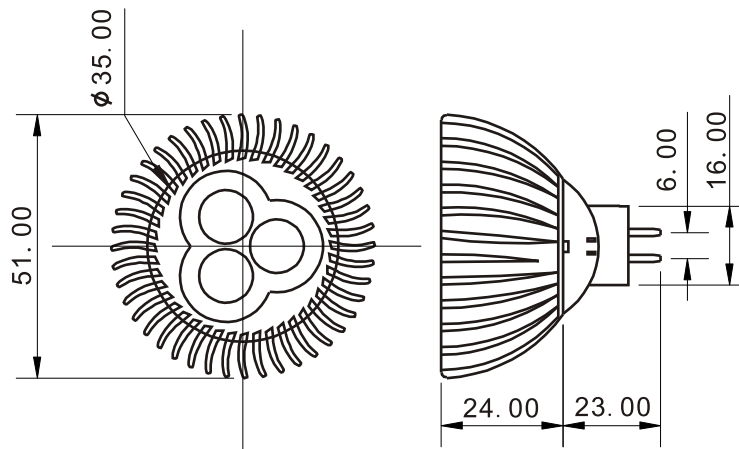


# MR16-3QWE3W

## Features

- \* Aluminum housing
- \* CE approved
- \* Eco-product
- \* Extended longer life
- \* High luminance
- \* Low power consumption
- \* RoHS compliant
- \* Well heat sink
- \* Wide viewing angle



## Specifications

|                       |                |
|-----------------------|----------------|
| Base type             | MR16           |
| Forward Current       | 300mA          |
| Input voltage         | AC/DC 12V      |
| Light source          | 3x1W power LED |
| Color                 | White          |
| Luminous Intensity    | 210-240Lm      |
| Operating temperature | -40-+70deg     |
| Size                  | 51x47mm        |
| Viewing angle         | 45deg          |
| Weight                | 38g            |

### Important:

- \* Bulb electricity is compatible with the light socket voltage.
- \* The power is off while plug the light bulb into the socket.
- \* Suitable for dimmer switches or remote controls.
- \* Specified performance measured in 85-220V range.
- \* Do not look permanently to the light sources.



NOTES: 1. All dimensions are in millimeter (inches), tolerance is 0.25 unless otherwise noted.  
2. Specifications are subject to change without notice.