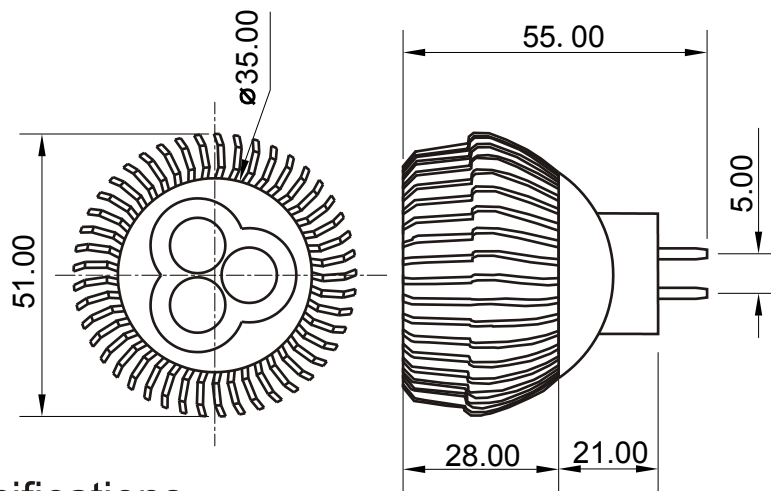


# MR16-3HBE3W

## Features

- \* Aluminum housing
- \* CE approved
- \* Eco-product
- \* Extended longer life
- \* High luminance
- \* Low power consumption
- \* RoHS compliant
- \* Well heat sink
- \* Wide viewing angle



## Specifications

Base type	MR16
Forward Current	300mA
Input voltage	DC/AC 12V
Light source	3x1W power LED
Color	Blue
Luminous Intensity	24-30Lm
Operating temperature	-40-+70deg
Size	50x55mm
Viewing angle	45deg
Weight	60g

### Important:

- \* Bulb electricity is compatible with the light socket voltage.
- \* The power is off while plug the light bulb into the socket.
- \* Suitable for dimmer switches or remote controls.
- \* Specified performance measured in 85-220V range.
- \* Do not look permanently to the light sources.



NOTES: 1. All dimensions are in millimeter (inches), tolerance is 0.25 unless otherwise noted.  
2. Specifications are subject to change without notice.