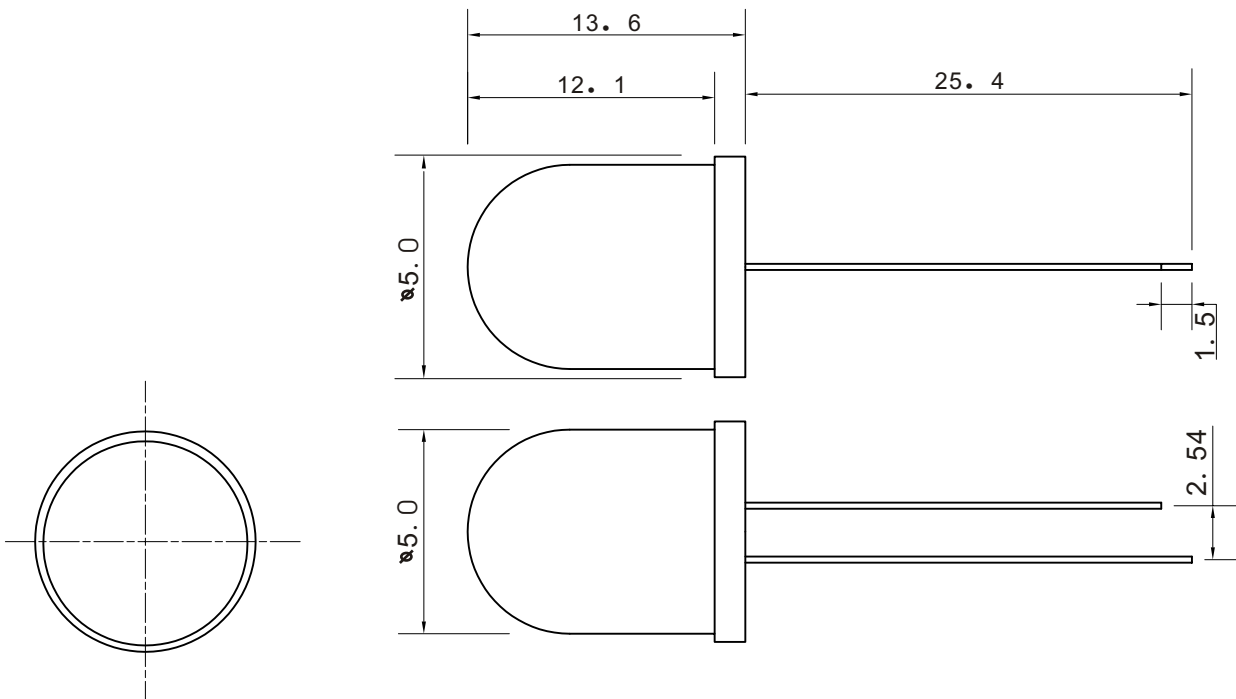


L100SBC

Features

- * 10.0mm x 13.6mm round LED lamp
- * Low power requirement
- * I. C. Compatible
- * Easy assembly
- * RoHs compliant
- * Wide viewing angle
- * Bicolour version available

| Part No. | Chip | | Lens |
|----------|--------------|----------------|-------------|
| | Ram Material | Emitted colour | |
| L100SBC | GaN | Blue | Water Clear |



NOTES: 1. All dimensions are in millimeter (inches), tolerance is 0.25 unless otherwise noted.
2. Specifications are subject to change without notice.

Absolute Maximum Rating: (TA=25°C)

| Parameter | Symbol | Maximum Rating | Unit |
|-------------------------|-------------------|----------------|------|
| Peak Forward Current | IFp | 100 | mA |
| Forward Current | IF | 20 | mA |
| Reverse Voltage | VR | 5 | V |
| Power Dissipation | PD | 70 | mW |
| Operating Temperature | Topr | -40~+85 | °C |
| Storage Temperature | Tstg | -40~+85 | °C |
| Electrostatic Discharge | ESD | 500 | V |
| Soldering Temperature | 260°C for seconds | | |

Lead soldering Temperature (4mm from body) : 260°C for seconds

Optical-Electrical Characteristic: (TA=25°C)

| Parameter | Symbol | Condition | Min | Type | Max | Unit |
|---------------------|----------------|-----------|------|------|------|------|
| Forward Voltage | VF | IF=20mA | 3.0 | - | 3.6 | V |
| Reverse Current | IR | VR=5V | | - | 5 | uA |
| Dominant Wavelength | λ_d | IF=20mA | | | 470 | nm |
| Peak Wavelength | λ_p | IF=20mA | 465 | 468 | 470 | nm |
| Luminous Intensity | Iv | IF=20mA | 3500 | - | 4500 | mcd |
| Viewing Angle | 2 θ 1/2 | IF=20mA | - | 35 | - | Deg |

Fig. 1

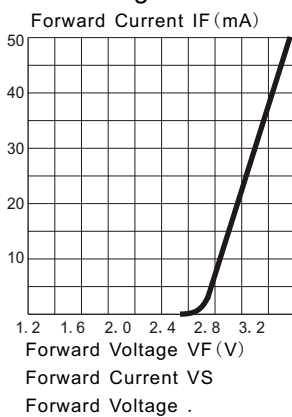


Fig. 2



Fig. 3



Fig. 4

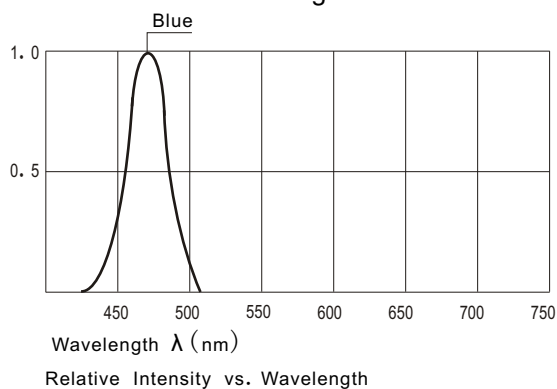
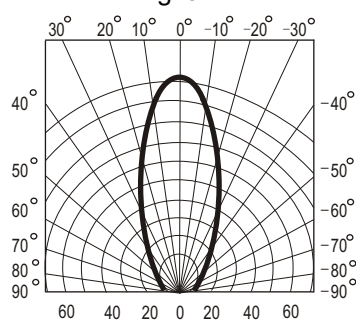


Fig. 5



NOTES: 1. All dimensions are in millimeter (inches), tolerance is 0.25 unless otherwise noted.
2. Specifications are subject to change without notice.