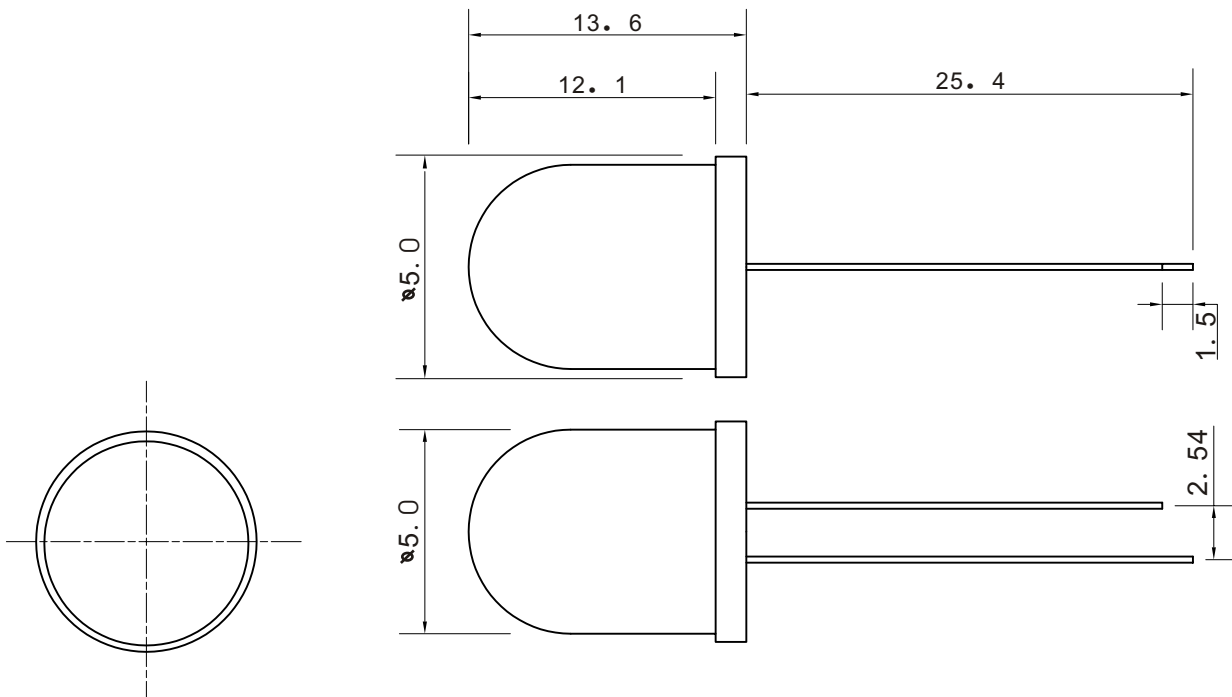


## L100HBD

### Features

- \* 10.0mm x 13.6mm round LED lamp
- \* Low power requirement
- \* I. C. Compatible
- \* Easy assembly
- \* RoHs compliant
- \* Wide viewing angle
- \* Bicolour version available

Part No.	Chip		Lens
	Ram Material	Emitted colour	
L100HBD	GaN	Blue	Diffused



NOTES: 1. All dimensions are in millimeter (inches), tolerance is 0.25 unless otherwise noted.  
2. Specifications are subject to change without notice.

Absolute Maximum Rating: (TA=25°C)

Parameter	Symbol	Maximum Rating	Unit
Peak Forward Current	IFp	100	mA
Forward Current	IF	20	mA
Reverse Voltage	VR	5	V
Power Dissipation	PD	70	mW
Operating Temperature	Topr	-40~+85	°C
Storage Temperature	Tstg	-40~+85	°C
Electrostatic Discharge	ESD	500	V
Soldering Temperature	260°C for seconds		

Lead soldering Temperature (4mm from body) : 260°C for seconds

Optical-Electrical Characteristic: (TA=25°C)

Parameter	Symbol	Condition	Min	Type	Max	Unit
Forward Current	VF	IF=20mA	3.0	-	3.6	V
Reverse Current	IR	VR=5V		-	5	uA
Dominant Wavelength	$\lambda_d$	IF=20mA			470	nm
Peak Wavelength	$\lambda_p$	IF=20mA	465	467	470	nm
Luminous Intensity	Iv	IF=20mA	170	-	450	mcd
Viewing Angle	2 $\theta$ 1/2	IF=20mA	-	120	-	Deg

Fig. 1

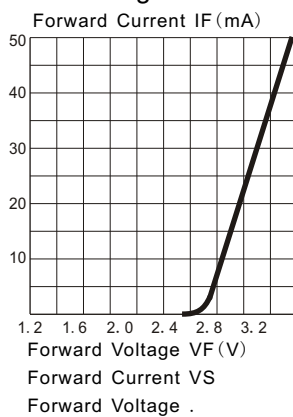


Fig. 2

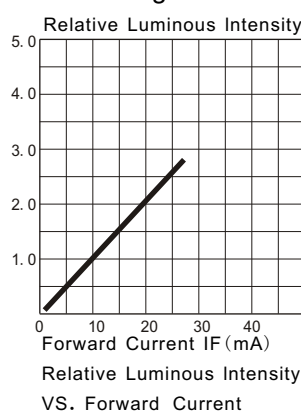


Fig. 3

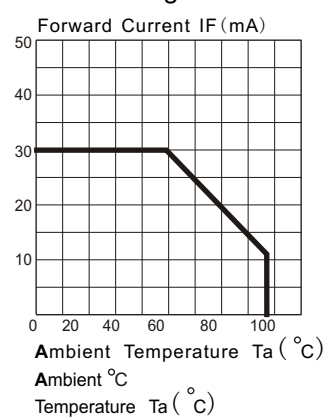


Fig. 4

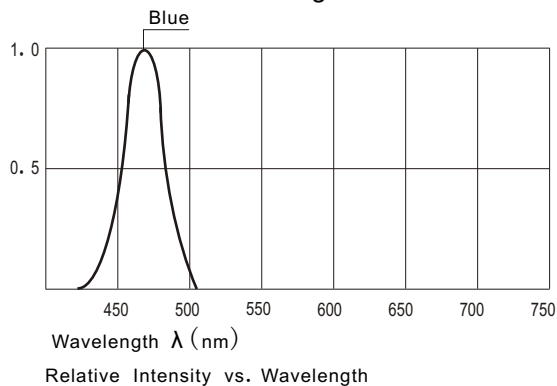


Fig. 5

