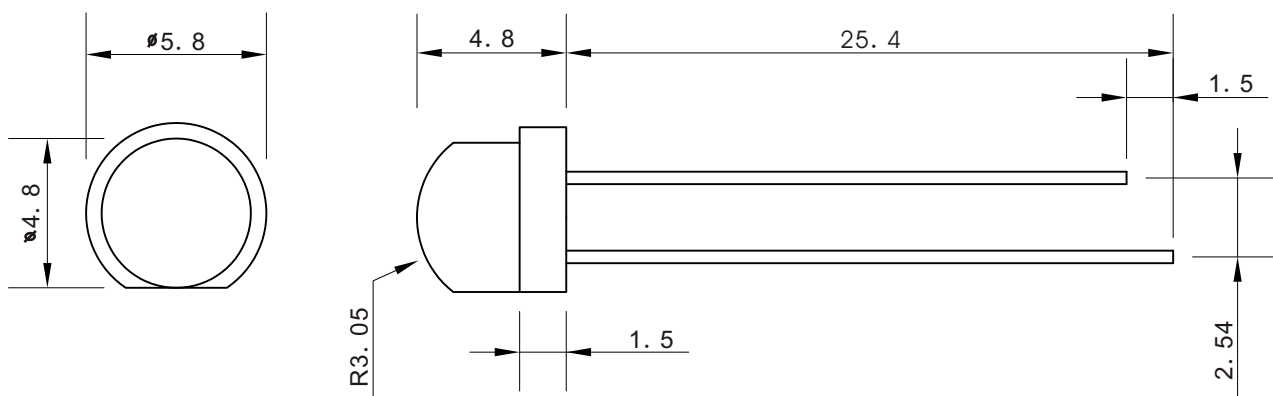


# L05CHBC

## Features

- \* 4.8mm x 4.8mm round LED lamp
- \* Low power requirement
- \* I. C. Compatible
- \* Easy assembly
- \* RoHs compliant
- \* Wide viewing angle
- \* Bicolour version available

| Part No. | Chip         |                | Lens        |
|----------|--------------|----------------|-------------|
|          | Ram Material | Emitted colour |             |
| L05CHBC  | GaN          | Blue           | Water clear |
|          |              |                |             |



NOTES: 1. All dimensions are in millimeter (inches), tolerance is 0.25 unless otherwise noted.  
2. Specifications are subject to change without notice.

Absolute Maximum Rating: (TA=25°C)

| Parameter               | Symbol            | Maximum Rating | Unit |
|-------------------------|-------------------|----------------|------|
| Peak Forward Current    | IFp               | 100            | mA   |
| Forward Current         | IF                | 20             | mA   |
| Reverse Voltage         | VR                | 5              | V    |
| Power Dissipation       | PD                | 70             | mW   |
| Operating Temperature   | Topr              | -40~+85        | °C   |
| Storage Temperature     | Tstg              | -40~+85        | °C   |
| Electrostatic Discharge | ESD               | 500            | V    |
| Soldering Temperature   | 260°C for seconds |                |      |

Lead soldering Temperature (4mm from body) : 260°C for seconds

Optical-Electrical Characteristic: (TA=25°C)

| Parameter           | Symbol         | Condition | Min | Type | Max | Unit |
|---------------------|----------------|-----------|-----|------|-----|------|
| Forward Current     | VF             | IF=20mA   | 3.0 | -    | 3.6 | V    |
| Reverse Current     | IR             | VR=5V     |     | -    | 5   | uA   |
| Dominant Wavelength | $\lambda_d$    | IF=20mA   |     |      | 470 | nm   |
| Peak Wavelength     | $\lambda_p$    | IF=20mA   | 465 | 468  | 470 | nm   |
| Luminous Intensity  | Iv             | IF=20mA   | 200 | -    | 300 | mcd  |
| Viewing Angle       | 2 $\theta$ 1/2 | IF=20mA   | -   | 90   | -   | Deg  |

Fig. 1

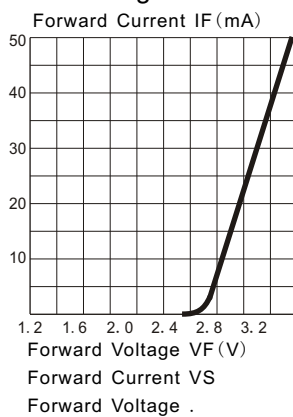


Fig. 2

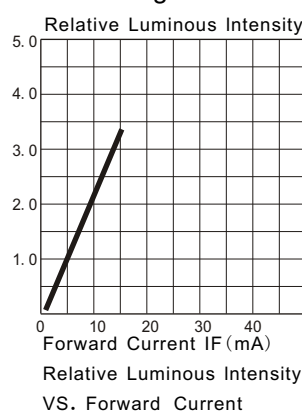


Fig. 3



Fig. 4

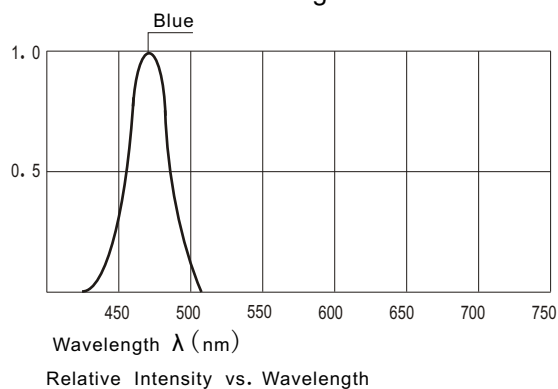


Fig. 5

