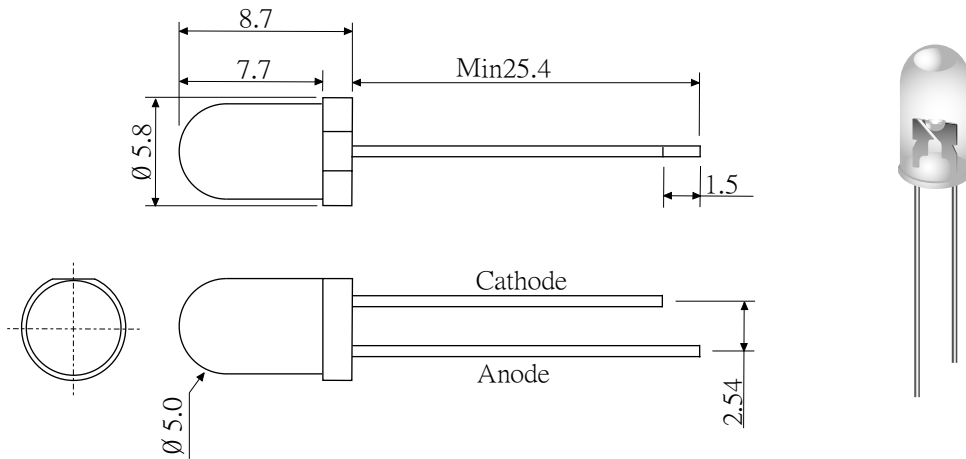


# L050UVC-1



- \* 5mm Blue dice.
- \* Encapsulated with Water Clear package.
- \* long leads.

### Absolute Maximum Ratings:

| Parameter                   | Maximum Rating      | Unit |
|-----------------------------|---------------------|------|
| Peak Forward Current        | 120                 | mA   |
| Continuous Forward Current  | 30                  | mA   |
| Operating temperature Range | -20°C + 75°C        |      |
| Storage Temperature Range   | -40°C + 100°C       |      |
| Lead Soldering Temperature  | 260°C for 5 seconds |      |

### Electre-Optical Characterature (Ta=25°C)

| Parameter Radiant  | Test Condition | Symbol          | Min. | Typ.  | Max. | Unit |
|--------------------|----------------|-----------------|------|-------|------|------|
| Forward Voltage    | If=20mA        | Vf              | 3.00 | 3.80  | 4.50 | V    |
| Reverse Current    | Vr=5V          | Ir              |      |       | 10   | uA   |
| Luminous Intensity | If=20mA        | Iv              | 60   | 80    | 100  | mcd  |
| Spectral Bandwidth | If=20mA        | $\Delta\lambda$ |      | 30    |      | nm   |
| Wavelength         | If=20mA        | $\lambda_p$     | 395  | 400   | 414  | nm   |
|                    |                | $\lambda_d$     |      |       |      | nm   |
| Half View Angle    | If=20mA        | 2 $\theta$ 1/2  |      | 15-20 |      | deg  |

NOTES: 1. All dimensions are in millimeter (inches), tolerance is 0.25 unless otherwise noted.  
2. Specifications are subject to change without notice.