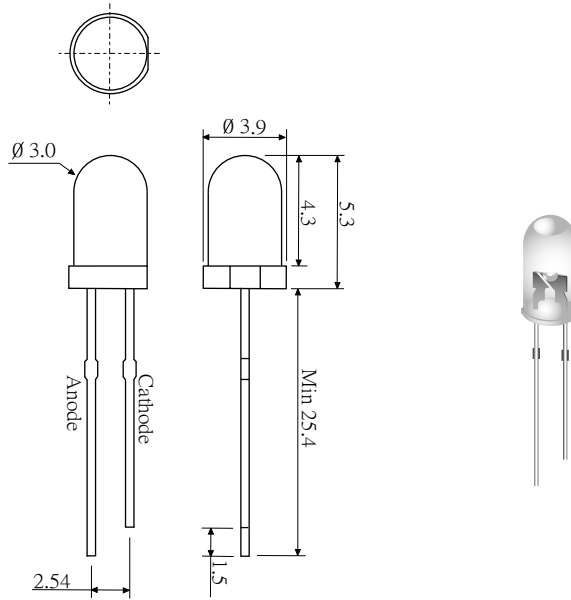


# L03RE940C



NOTE TOLERANCE +/- 0.2mm

- \* ABSOLUTE MAXIMUM RATINGS: (Ta=25 °C)
- \* OPERATING TEMPERATURE: -55 °C TO + 100 °C
- \* LEAD SOLDERING : 260 °C FOR 5 SECONDS

PARAMETER	TEST CONDITION	Symbol	MIN.	TYP.	MAX.	UNIT
REVERSE BREAK DOWN VOLTAGE	IR=100uA	BvR	30			v
REVERSE DARK CURRENT	VR=10V	I <sub>d</sub>			30	nA
LIGHT CURRENT	VR=5V	I <sub>n</sub>		60		uA
POWER DISSIPATION		P <sub>d</sub>		100		mW
WAVELENGTH OF PEAK SENSITIVITY		λ p		940		nm
RANG OF SPECTRAL BANDWIDTH		λ 0.5		400-1200		nm

NOTES: 1. All dimensions are in millimeter (inches), tolerance is 0.25 unless otherwise noted.  
2. Specifications are subject to change without notice.