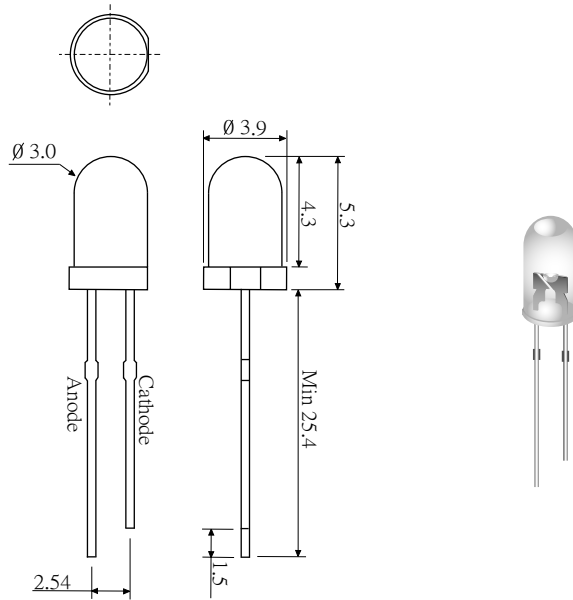


L03IR880C



NOTE: TOLERANCE +/- 0.2mm

- * ABSOLUTE MAXIMUM RATINGS: (Ta=25 °C)
- * OPERATING TEMPERATURE: -40 °C TO + 80 °C
- * LEAD SOLDERING :260 °C FOR 5 SECONDS

| PARAMETER | TEST CONDITION | Symbol | MIN. | TYP. | MAX. | UNIT |
|----------------------------|----------------|---------|------|------|------|------|
| Forward Voltage | IF=20mA | VF | 1.2 | 1.4 | 1.6 | V |
| | IF=100mA | | - | 1.7 | 1.95 | |
| Reverse Current | VR=5V | IR | | | 10 | uA |
| Radiant Intensity | IF=20mA | Ee | 11 | 21 | - | mW |
| | IF=100mA | | - | 85 | - | |
| Peak Wavelength | IF=20mA | λ p | | 880 | | nm |
| Continuous Forward Current | | IF | | 40 | | mA |
| Power dissipation | | Pd | | 110 | | mW |
| Viewing Angle | Iy=20mA | 2 θ 1/2 | | 45 | | deg |

NOTES: 1. All dimensions are in millimeter (inches), tolerance is 0.25 unless otherwise noted.
2. Specifications are subject to change without notice.