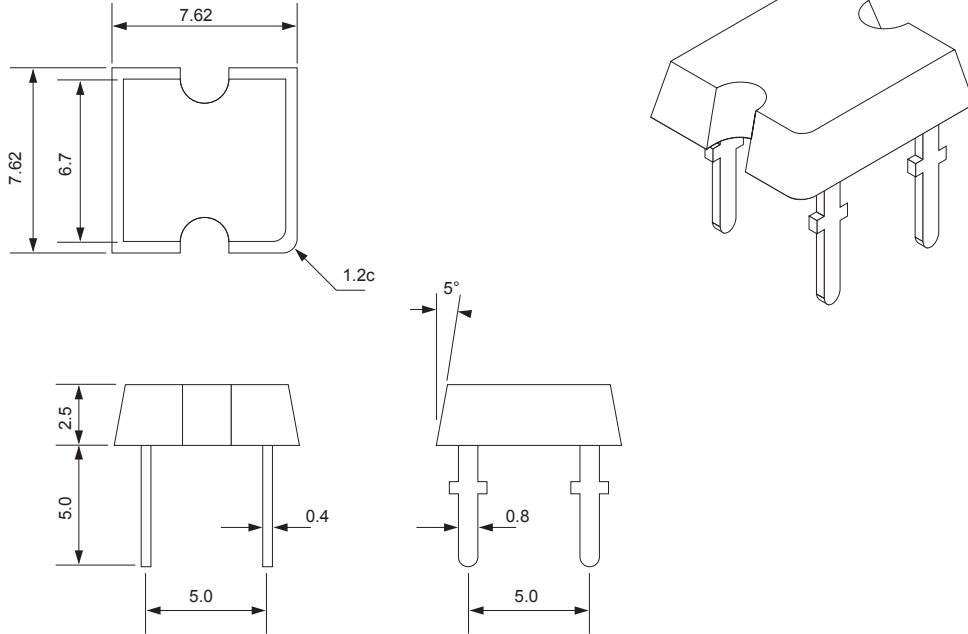


FL75WC



Unit: mm

- \* White Color Dice.
- \* Encapsulated with Water Clear Package.

Absolute Maximum Ratings.

| Parameter                   | Symbol           | Maximum Rating      | Unit |
|-----------------------------|------------------|---------------------|------|
| Power Dissipation           | Pd               | 40                  | mW   |
| Peak Forward Current        | I <sub>fp</sub>  | 160                 | mA   |
| Continuous Forward Current  | I <sub>f</sub>   | 20                  | mA   |
| Operating Temperature Range | T <sub>opr</sub> | -25°C to +80°C      |      |
| Storage Temperature Range   | T <sub>stg</sub> | -40°C to +80°C      |      |
| Lead Soldering Temperature  | T <sub>stg</sub> | 260°C for 5 seconds |      |

\* IFP Conditions: Pulse width ≤ 10 msec duty ≤ 1/10 \* T<sub>sol</sub> Conditions: 3mm from the base of the epoxy bulb.

Electro-Optical Characterure (T<sub>a</sub>=25°C)

| Parameter          | Radiant | Test Condition       | Symbol         | Min. | Typ.   | Max. | Unit |
|--------------------|---------|----------------------|----------------|------|--------|------|------|
| Forward Voltage    |         | I <sub>f</sub> =20mA | V <sub>f</sub> |      | 3.2    | 3.8  | V    |
| Reverse Current    |         | V <sub>r</sub> =5V   | I <sub>r</sub> |      |        | 10   | uA   |
| Luminous Intensity |         | I <sub>f</sub> =20mA | I <sub>v</sub> |      | 600    |      | mcd  |
| Spectral Bandwidth |         | I <sub>f</sub> =20mA | Δλ             |      |        |      | nm   |
| Wavelength         |         | I <sub>f</sub> =20mA | λ <sub>p</sub> |      | x=0.29 |      | nm   |
|                    |         |                      |                |      | Y=0.30 |      | nm   |
| Half View Angle    |         | I <sub>f</sub> =20mA | 2θ 1/2         |      | 120    |      | deg  |

1. Absolute maximum ratings T<sub>a</sub>=25°C

2. Tolerance of measurement of forward voltage ±0.1V

3. Tolerance of measurement of peak Wavelength ±2.0nm

4. Tolerance of measurement of luminous intensity ±15%