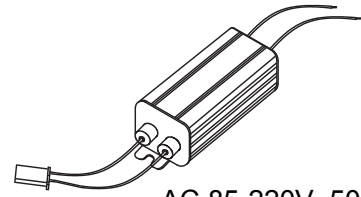


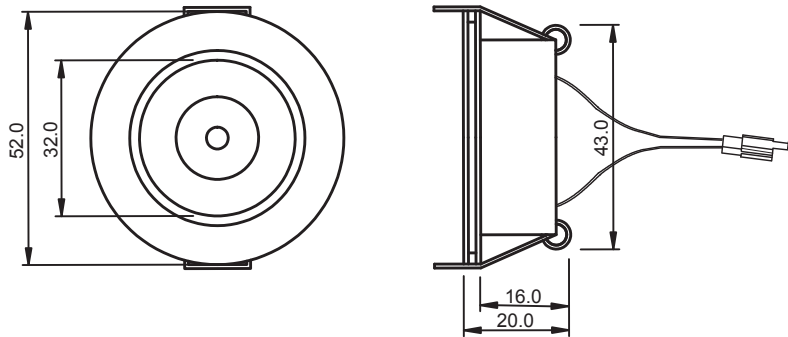
DL1ARD1W

Features

- * Energy Saving
- * Think fit into small headroom
- * Aluminum Housing with Special extrusions design
(Low surface heat against hand-touching)
- * ECO-Friendly
- * Long life(Up to 50,000 hours)
- * High Luminance
- * Low power consumption
- * Wide Beam Angle
- * No UV or IR damage light Sensitivities



AC 85-220V, 50/60Hz
Supply unit



Specifications

Color temperature	Red(620-630nm)
Forward current	350mA
Input voltage	AC 85-220V, 50/60Hz 3-5V DC
Light source	1x1W power LED
Luminous Intensity	45-55Lm
Operating temperature	-40 to 70 °C
Size	52x20mm
Beam angle	25°
Weight	129g
Standard compliant	CE approval, RoHS

Important:

- * Do not look permanently to the light sources.
- * Specified performance measured in 85-220V range.

