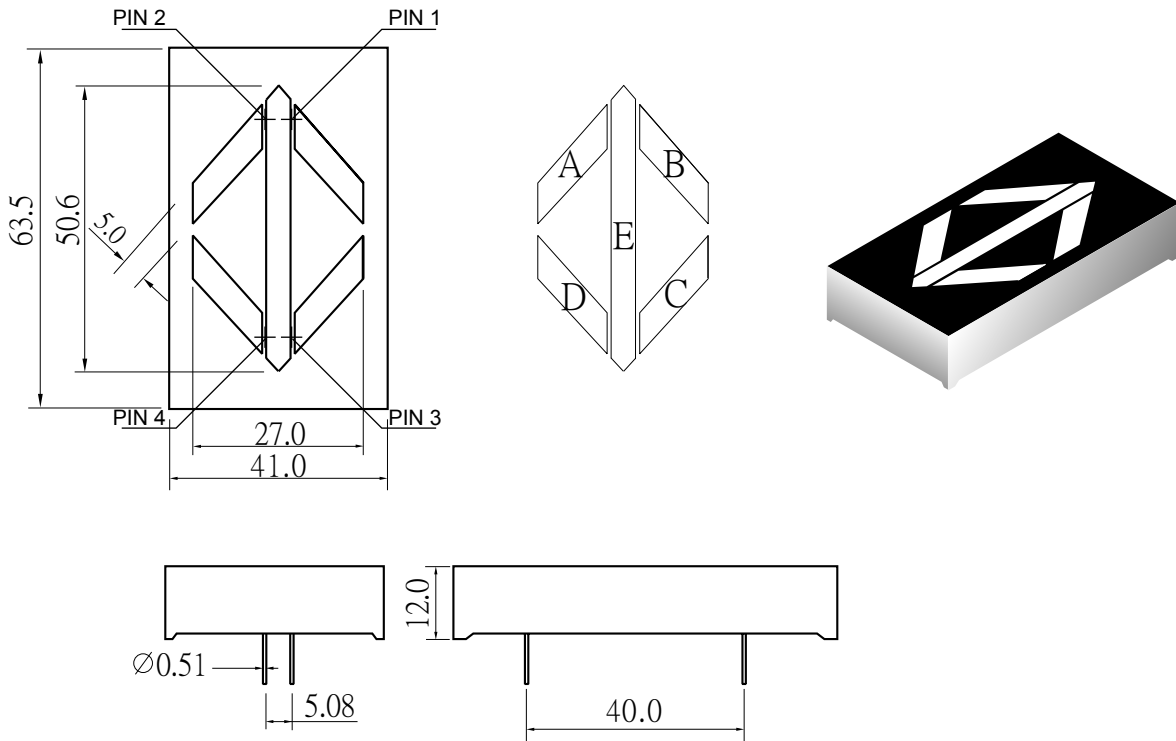
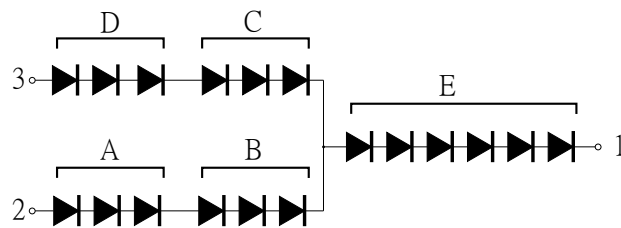


CA07



Common Cathode



NOTES: 1. All dimensions are in millimeter (inches), tolerance is 0.25 unless otherwise noted.
 2. Specifications are subject to change without notice.