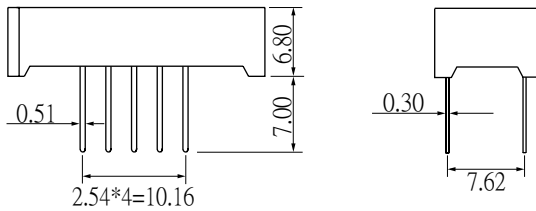
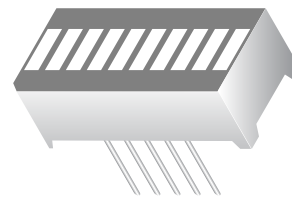
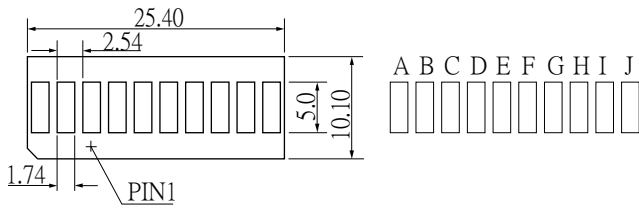
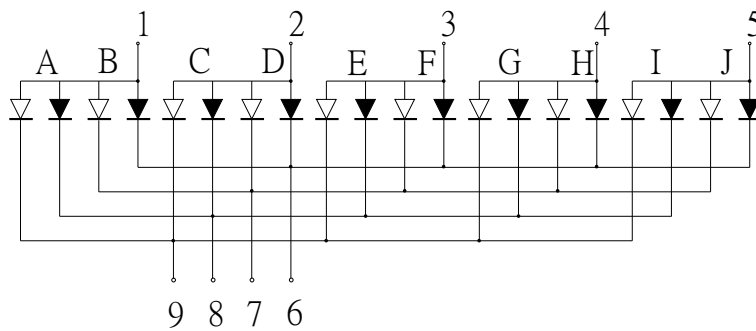


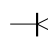
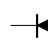
# AB21



# AB21



10 NO PIN

 =GREEN  
 =ORANGE